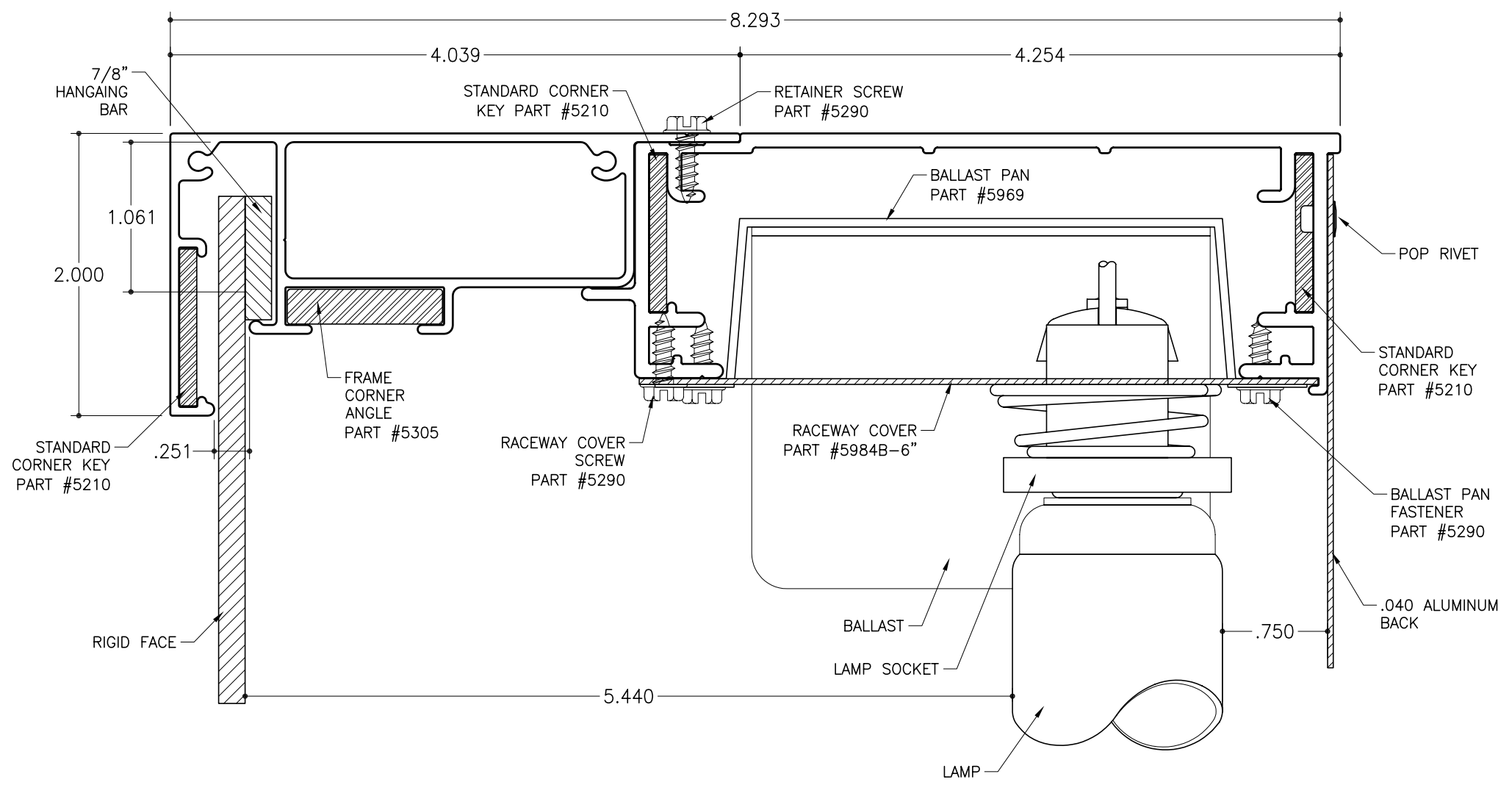


STD-23 for Rigid Faces - Electrical
 2Part 6" Single Face Body
 Part #1926
 2Part Large Extended Retainer
 Part #1939



SECTION DETAIL - ELECTRICAL
 SCALE : 1"=1"

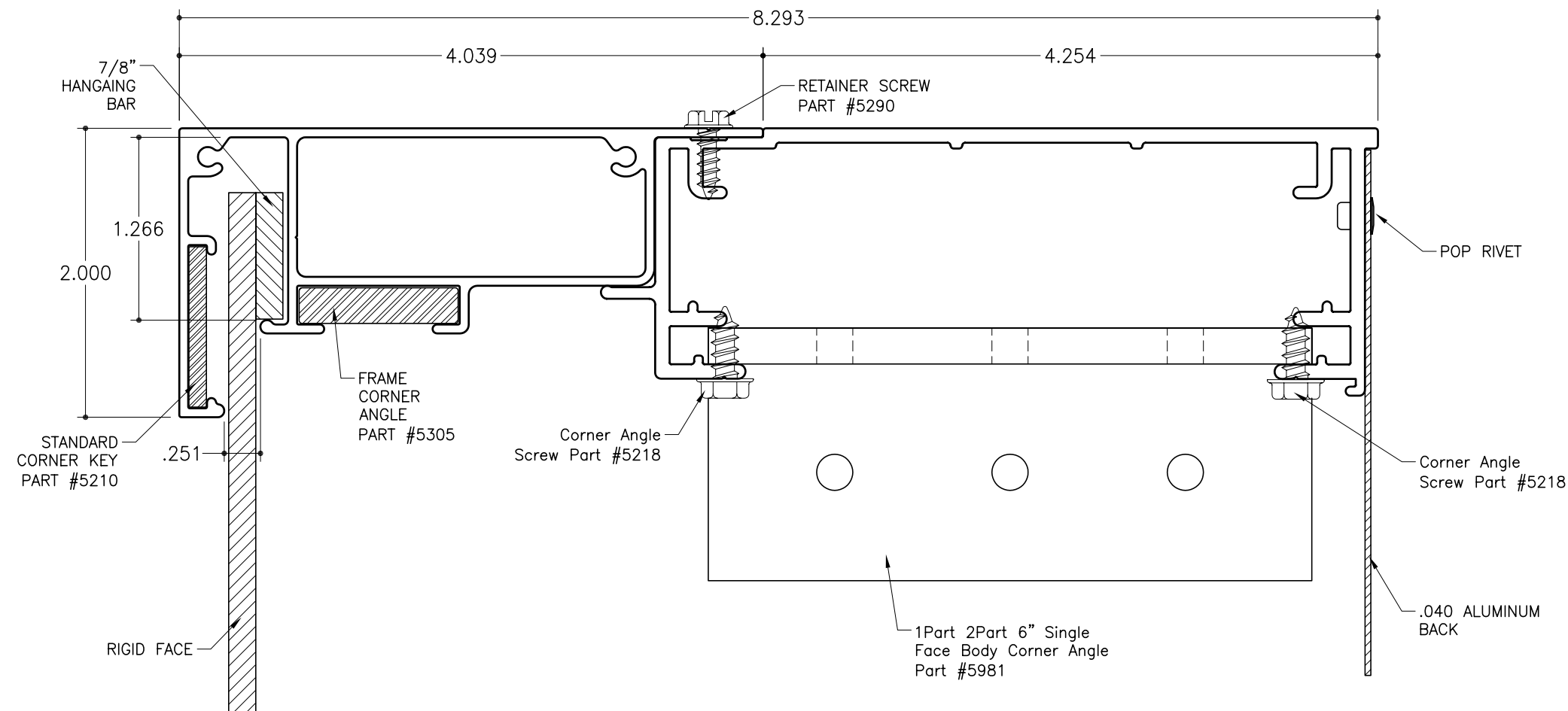
GENERAL NOTES:

1. Lamping - The bodies and retainers should be cut 1-3/4" longer than the nominal lamp size for horizontal or vertical lamping.
 General Lamping Guidelines:
 Double the distance between the front of the lamp and the back of the plastic face for your center to center lamp spacing. Maximum center to center is 12".
2. Hanging Bar - It is recommended to use a hanging bar on all rigid face.
3. SignComp does not supply the ballast(s), lamps, lamp sockets, back supports, gussets or .040 aluminum back.

STD-23 for Rigid Faces - Mechanically Fastened

2Part 6" Single Face Body
Part #1926

2Part Large Extended Retainer
Part #1939

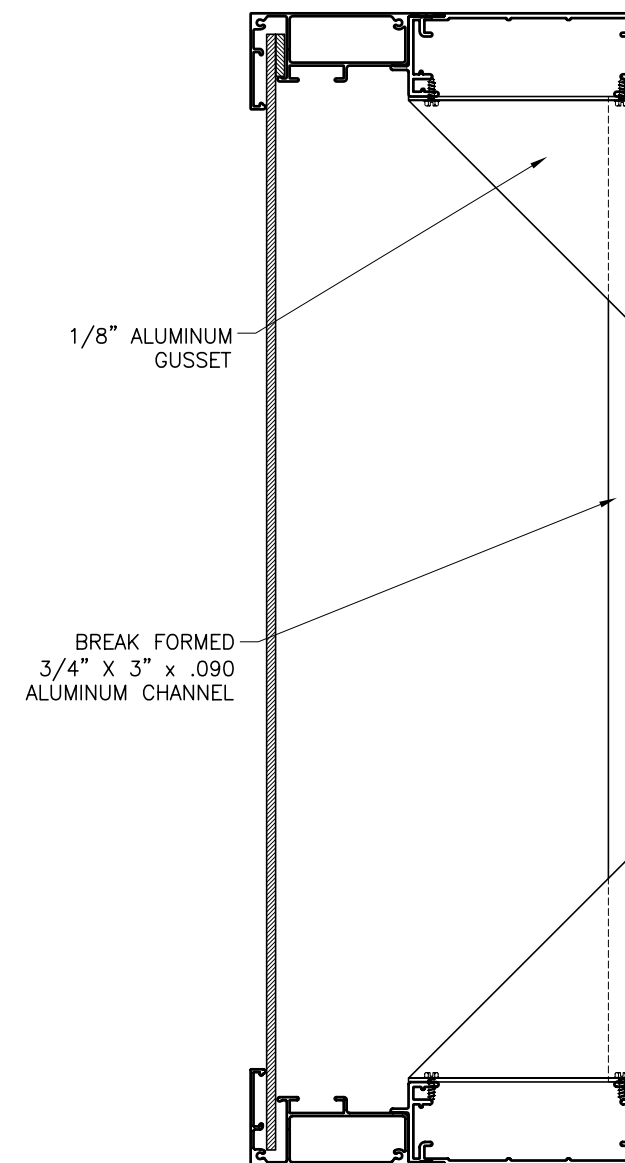


SECTION DETAIL - MECHANICALLY FASTENED

SCALE : 1"=1"

GENERAL NOTES:

1. Lamping - The bodies and retainers should be cut 1-3/4" longer than the nominal lamp size for horizontal or vertical lamping.
 General Lamping Guidelines:
 Double the distance between the front of the lamp and the back of the plastic face for your center to center lamp spacing. Maximum center to center is 12".
2. Hanging Bar - It is recommended to use a hanging bar on all rigid face.
3. SignComp does not supply the ballast(s), lamps, lamp sockets, back supports, gussets or .040 aluminum back.



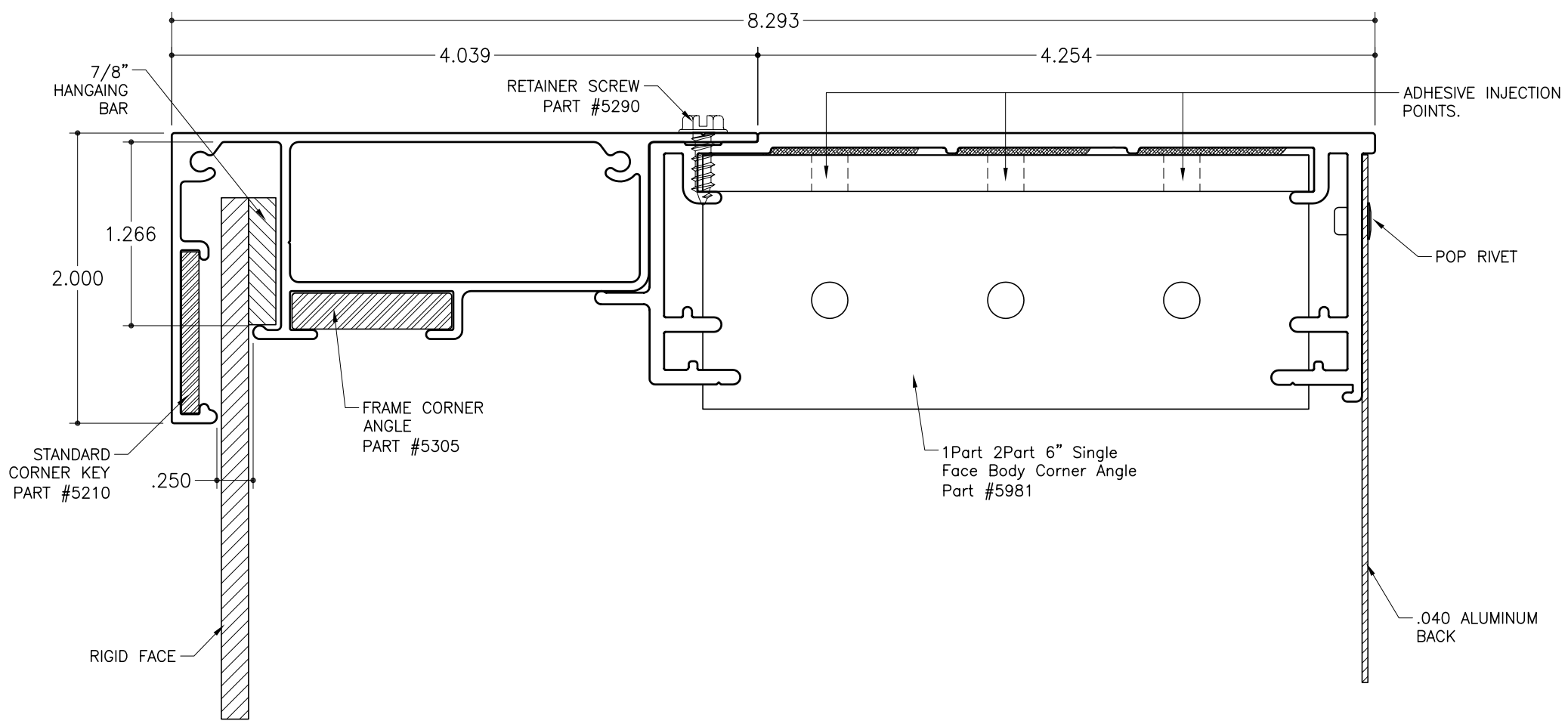
BRACING DETAIL

SCALE : 3"=1'

STD-23 for Rigid Faces - Adhesive Bonded

2Part 6" Single Face Body
Part #1926

2Part Large Extended Retainer
Part #1939

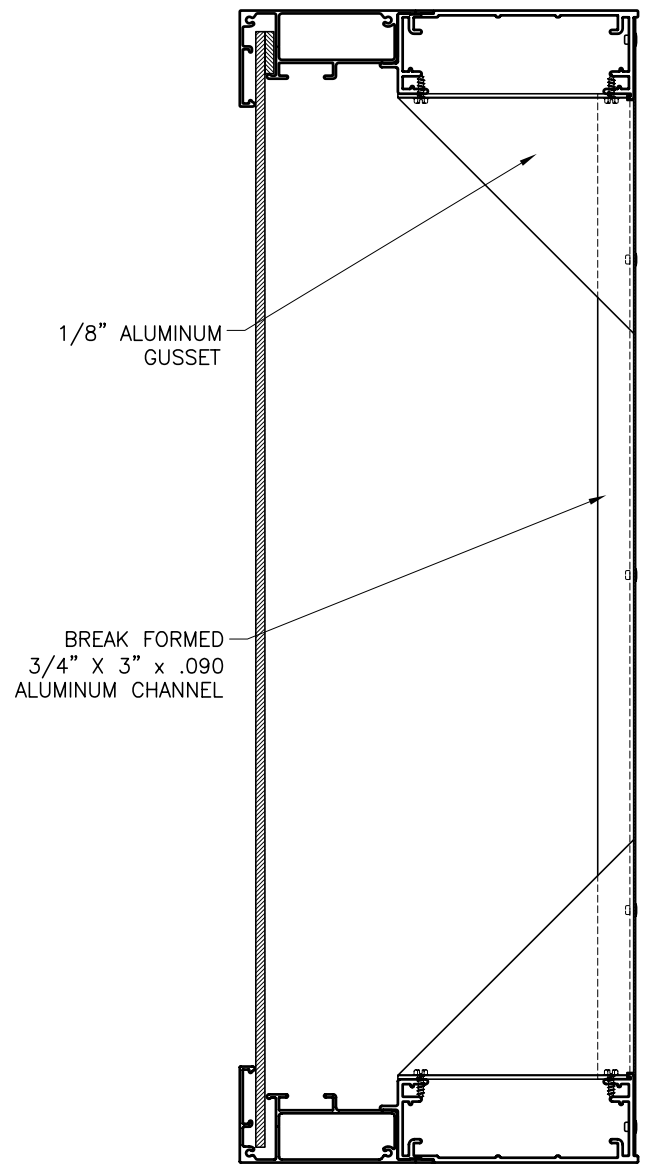


SECTION DETAIL - ADHESIVE BONDED

SCALE : 1"=1"

GENERAL NOTES:

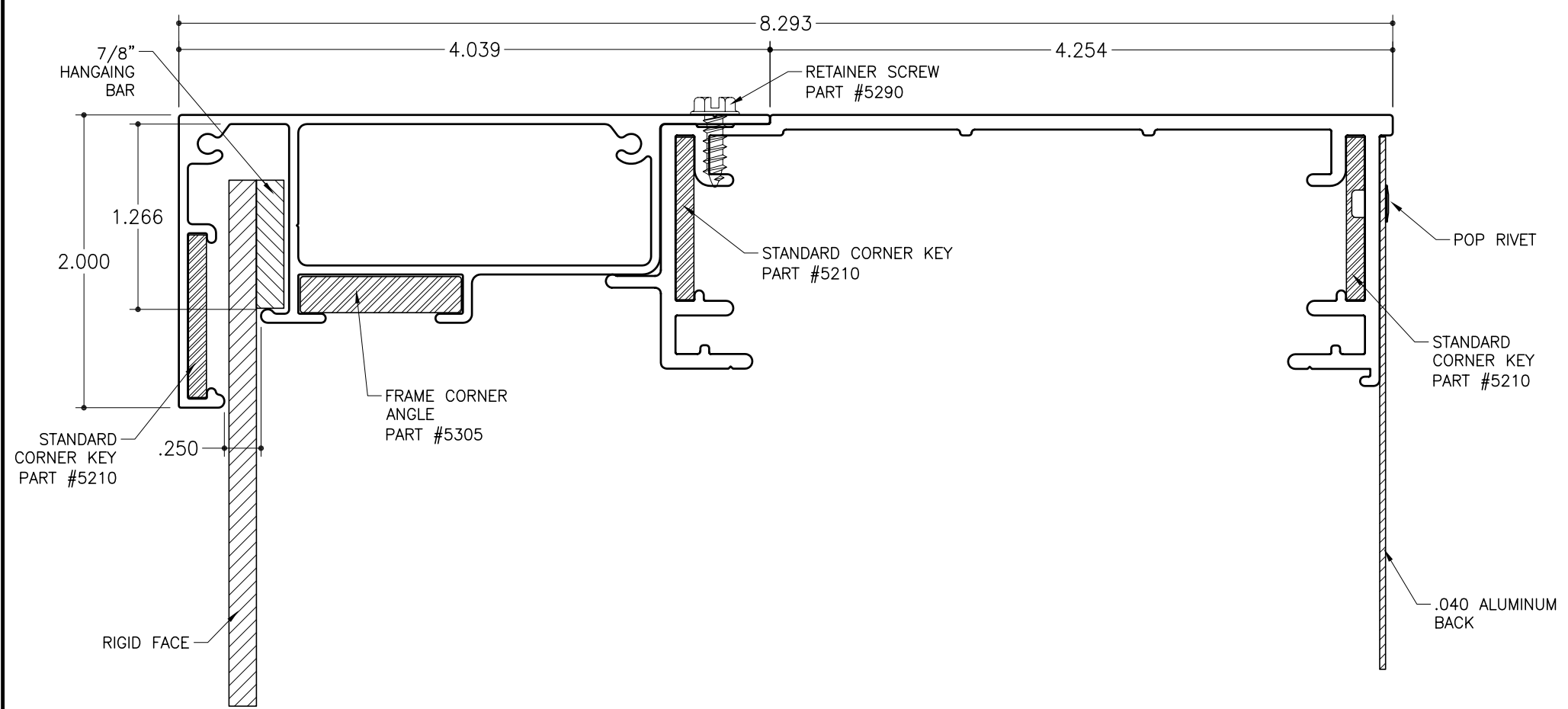
1. Lamping - The bodies and retainers should be cut 1-3/4" longer than the nominal lamp size for horizontal or vertical lamping.
 General Lamping Guidelines:
 Double the distance between the front of the lamp and the back of the plastic face for your center to center lamp spacing. Maximum center to center is 12".
2. Hanging Bar - It is recommended to use a hanging bar on all rigid face.
3. SignComp does not supply the ballast(s), lampss, lamp sockets, back supports, gussets or .040 aluminum back.



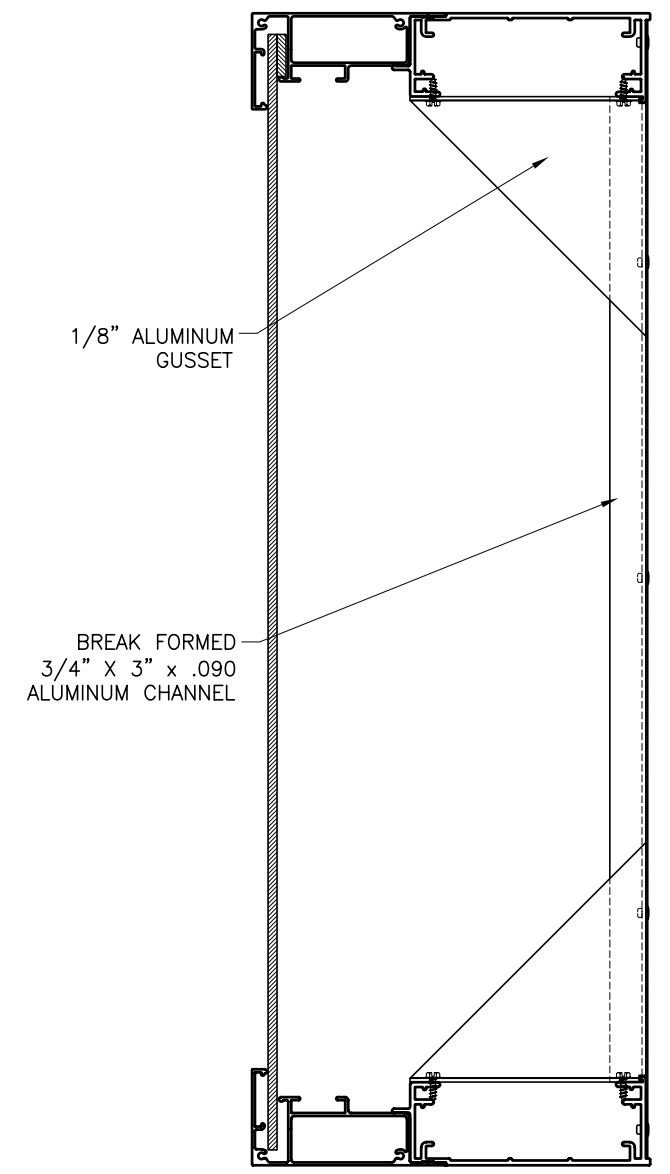
BRACING DETAIL

SCALE : 3"=1'

STD-23 for Rigid Faces - Welded
 2Part 6" Single Face Body
 Part #1926
 2Part Large Extended Retainer
 Part #1939



SECTION DETAIL - WELDED
 SCALE : 1"=1"



BRACING DETAIL
 SCALE : 3"=1'

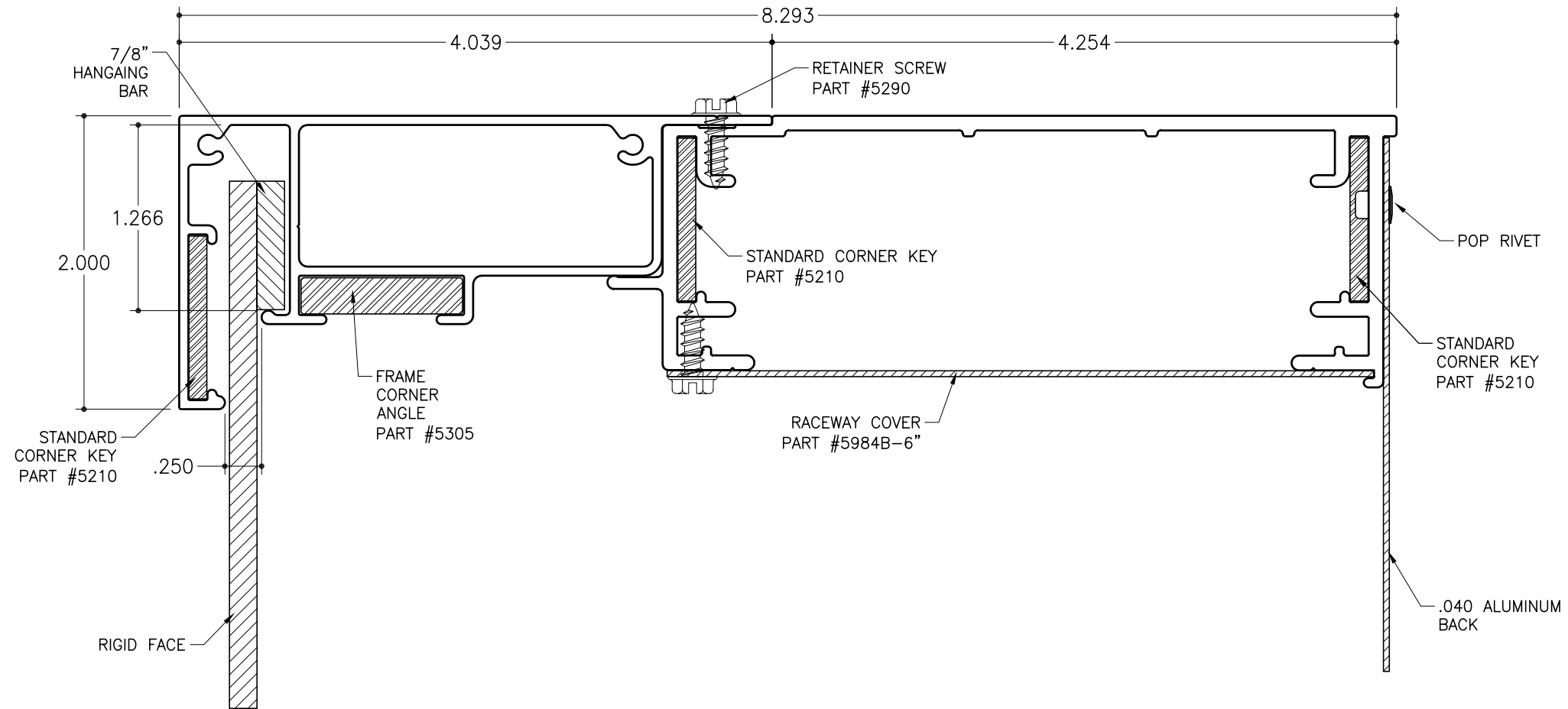
GENERAL NOTES:

1. Lamping - The bodies and retainers should be cut 1-3/4" longer than the nominal lamp size for horizontal or vertical lamping.
 General Lamping Guidelines:
 Double the distance between the front of the lamp and the back of the plastic face for your center to center lamp spacing. Maximum center to center is 12".
2. Hanging Bar - It is recommended to use a hanging bar on all rigid face.
3. SignComp does not supply the ballast(s), lamps, lamp sockets, back supports, gussets or .040 aluminum back.

STD-23 for Rigid Faces - Removeable Retainer

2Part 6" Single Face Body
Part #1926

2Part Large Extended Retainer
Part #1939



SECTION DETAIL - SIDE

SCALE : 1"=1"

GENERAL NOTES:

1. Lamping - The bodies and retainers should be cut 1-3/4" longer than the nominal lamp size for horizontal or vertical lamping.
 General Lamping Guidelines:
 Double the distance between the front of the lamp and the back of the plastic face for your center to center lamp spacing. Maximum center to center is 12".
2. Hanging Bar - It is recommended to use a hanging bar on all rigid face.
3. SignComp does not supply the ballast(s), lampss, lamp sockets, back supports, gussets or .040 aluminum back.