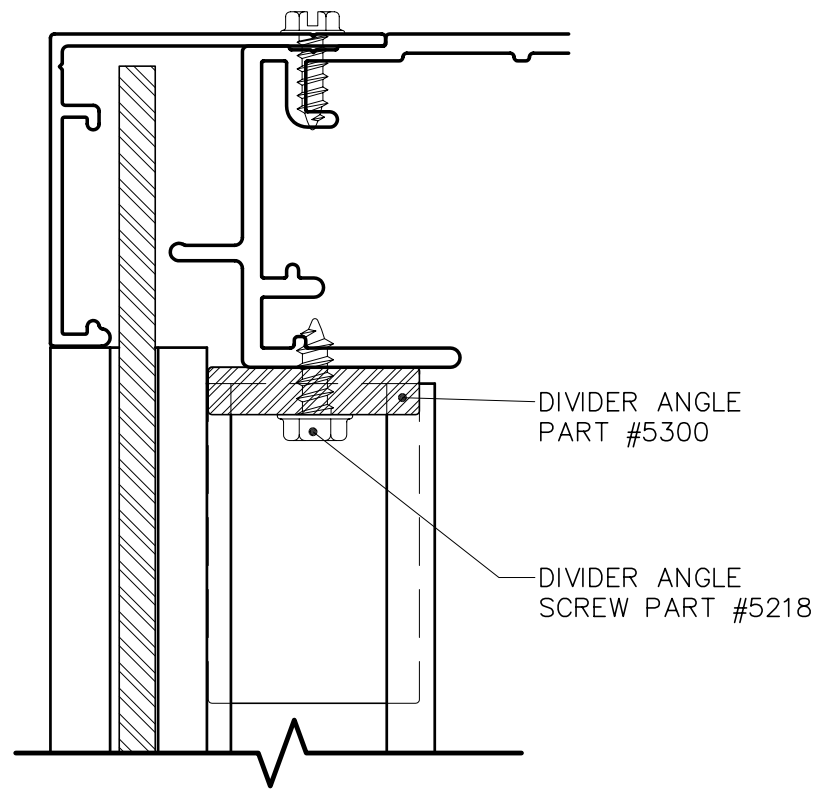


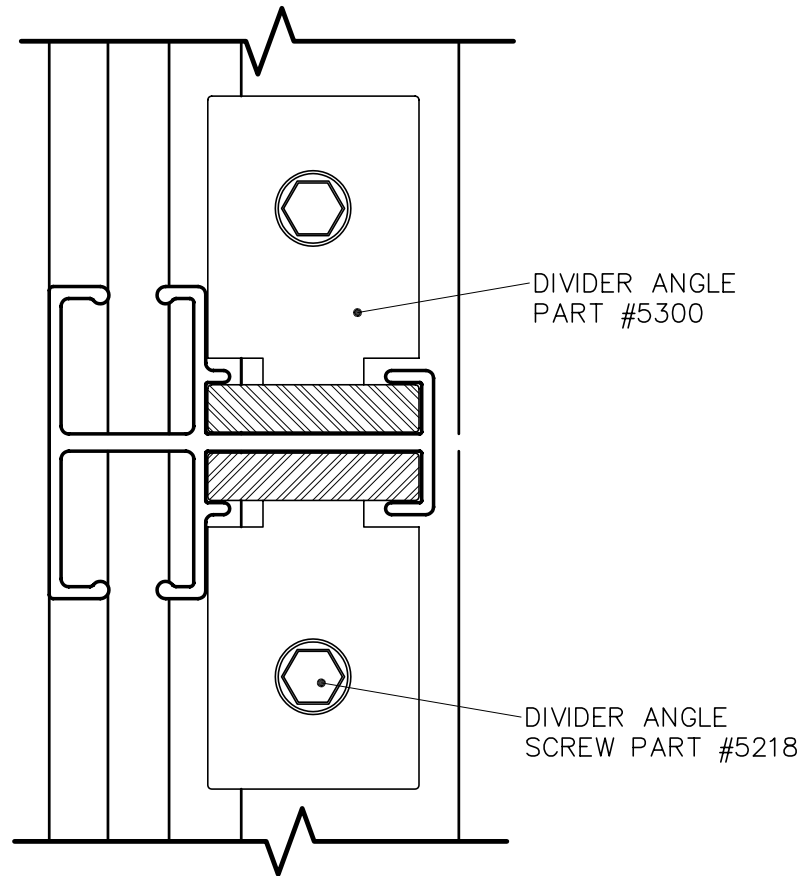
STD-7 for Rigid Faces - Attachment

2 Part Divider  
Part #1905



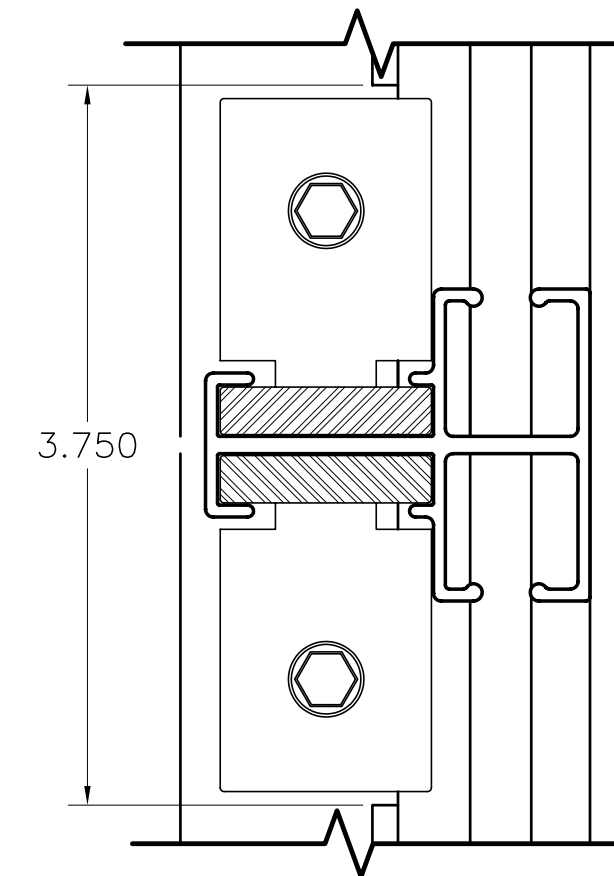
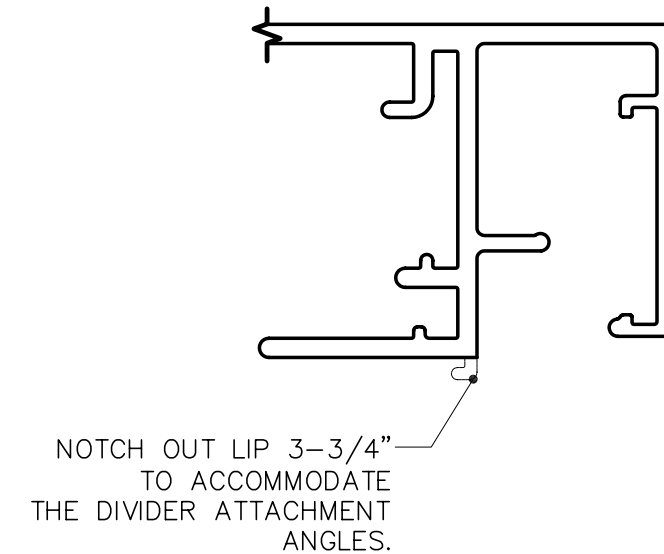
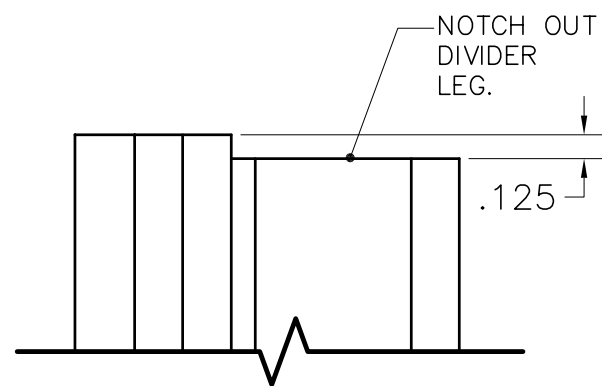
TOP VIEW

SCALE : 1" = 1"



SIDE VIEW "A"

SCALE : 1" = 1"



SIDE VIEW "B"

SCALE : 1" = 1"

NOTES:

1. Notch out back leg of the 2 Part Divider  $\frac{3}{16}$ " at each end. (see detail "A")
2. Notch out top on body extrusion  $\frac{2}{8}$ " to accommodate divider attachment angles. (see side view detail "B")



3032 WALKER RIDGE DR.  
GRAND RAPIDS, MI 49544  
TOLL FREE: (616) 784-0405 FAX: (616) 784-0411

CUSTOMER	Standard Product	DWG NO.	STD 7	REV
DESCRIPTION	2Part Divider Assembly	DATE	8-08	SHEET 1 OF 1