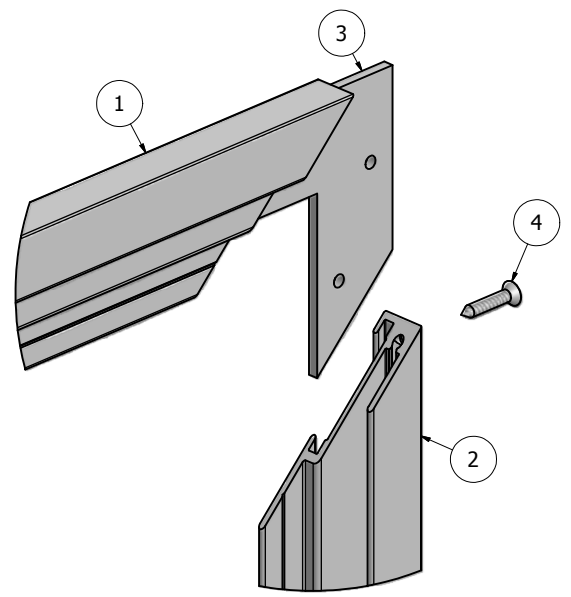
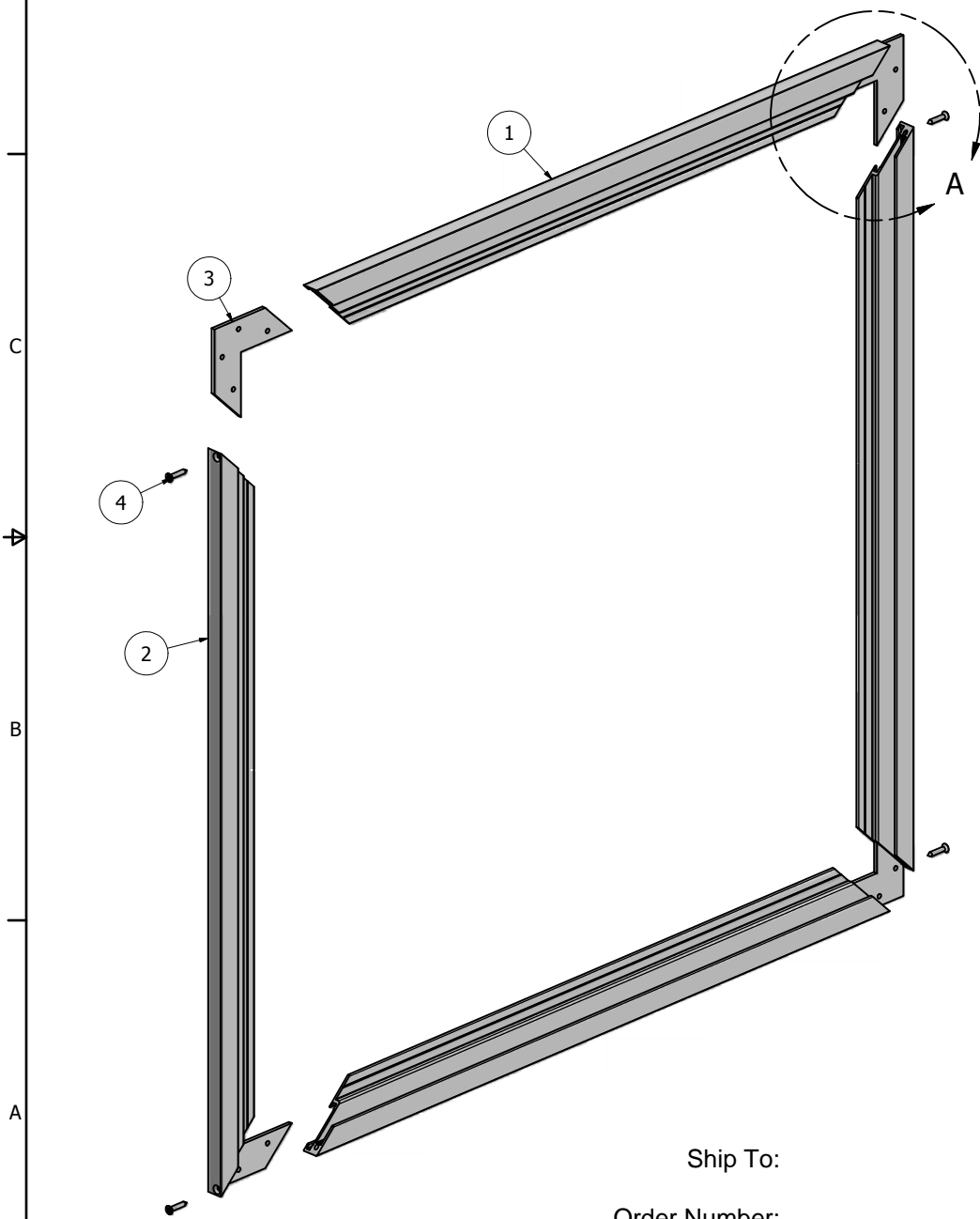
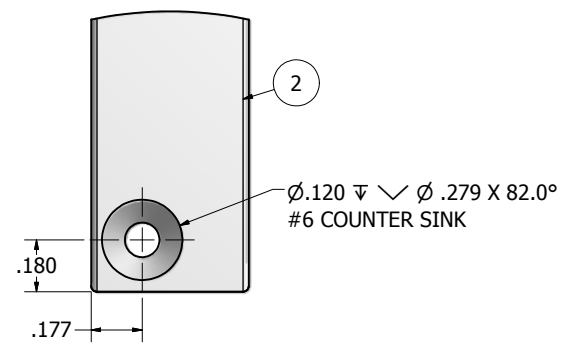


Parts List			
ITEM	PART	DESCRIPTION	NOTES
1	1948	3/4" Wall Frame	Top & Bottom
2	1948	3/4" Wall Frame	Sides - pre-drilled and counter sunk
3	5210	Corner Key	
4	5245	Wall Frame Corner Screw	#6 x 3/4" counter sunk phillips head screw



DETAIL A



DETAIL B

NOTE: PRE-CUT KITS ARE NOT PRE-DRILLED.
 (Holes shown in this drawing are for reference only.
 Drilling of pilot holes are to be done by fabricator.)

Ship To:
 Order Number:

THIS DRAWING WAS CREATED AT NO CHARGE TO ASSIST YOU IN VISUALIZING OUR PROPOSAL. THE DRAWING HEREIN IS THE PROPERTY OF SIGNCOMP. PERMISSION TO COPY OR REVISE THIS DRAWING OR TO USE THIS DRAWING FOR PRODUCTION IS STRICTLY PROHIBITED AND CAN ONLY BE COPIED, REVISED OR USED FOR PRODUCTION WITH THE EXPRESSED WRITTEN PERMISSION OF SIGNCOMP.			
DRAWN	6/10/2010	<h1>SignComp</h1> <p>3/4" Wall Frame - Assembly</p>	
CHECKED			
QA			
MFG			
APPROVED			
SIZE	C	DWG NO	1948
SCALE			REV
			SHEET 1 OF 1