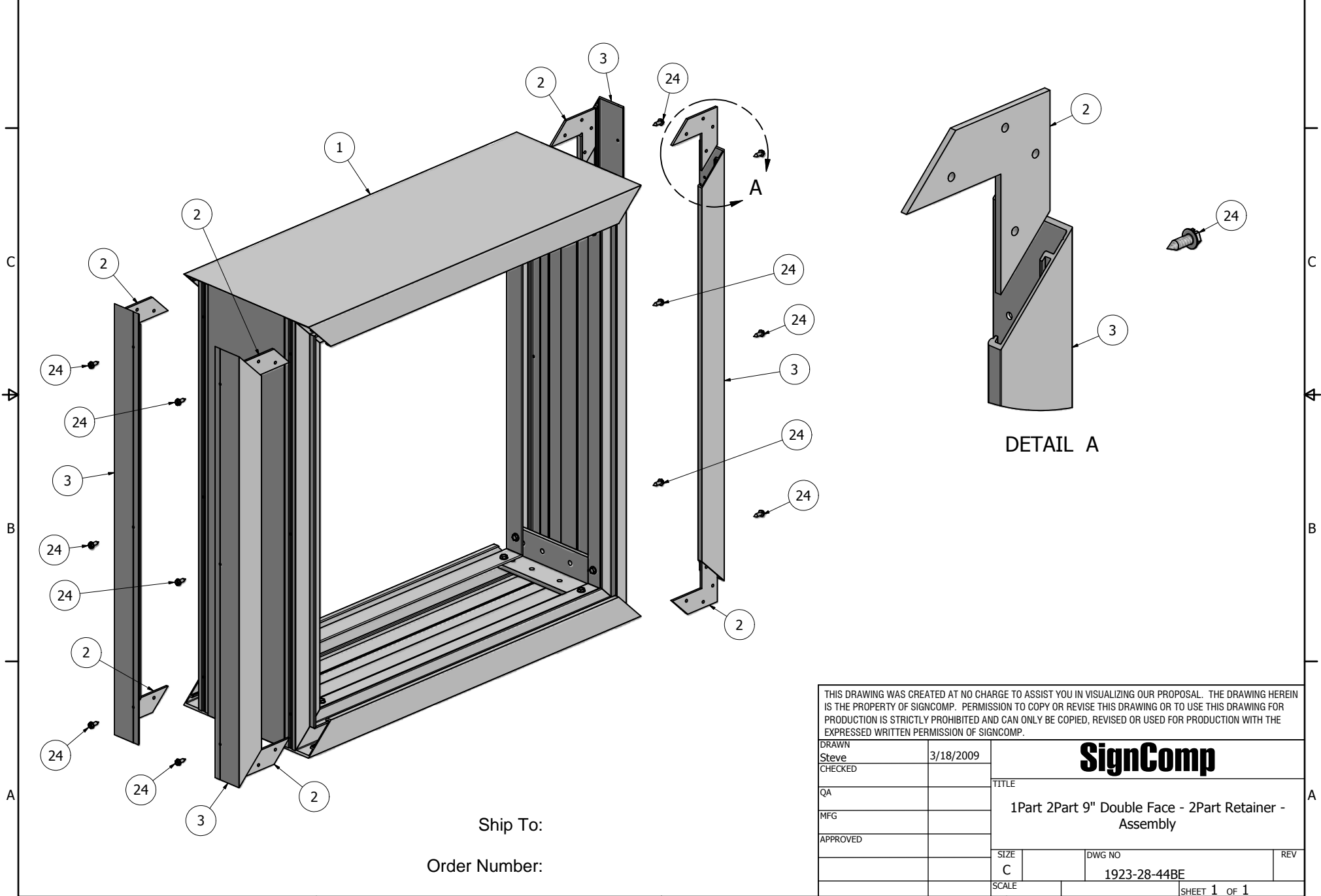


Parts List			
ITEM	PART #	DESCRIPTION	NOTES
1	K1923-28	1Part 2Part 9" Double Face Body	Assembly
2	5210	Corner Key	
3	1944	2Part Retainer	
24	5290	2Part Retainer Screw	Drill 1/8" Pilot Hole, 10" - 12" on Center



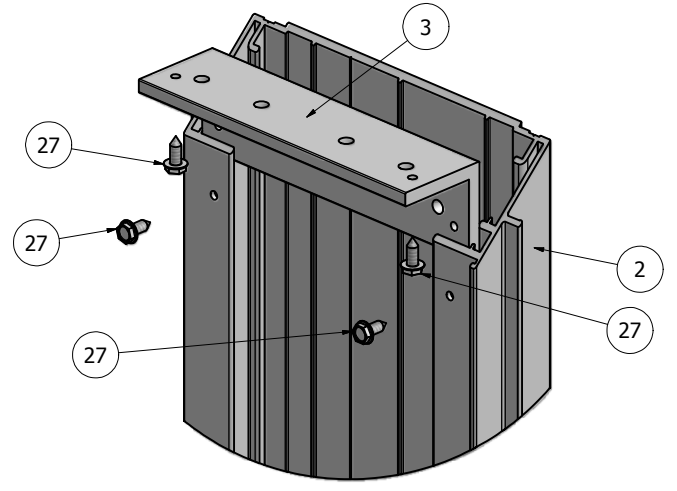
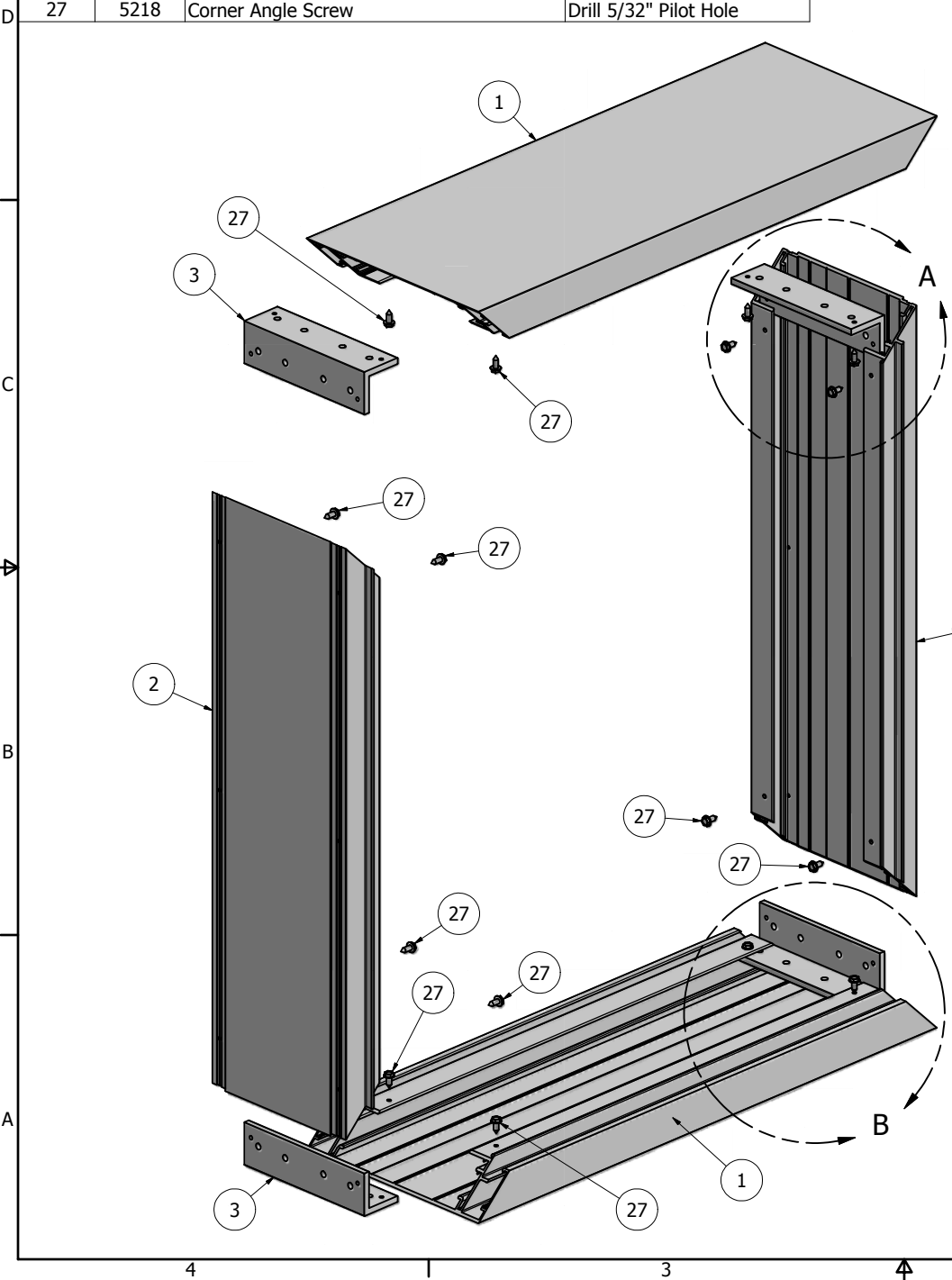
Ship To:  
Order Number:

THIS DRAWING WAS CREATED AT NO CHARGE TO ASSIST YOU IN VISUALIZING OUR PROPOSAL. THE DRAWING HEREIN IS THE PROPERTY OF SIGNCOMP. PERMISSION TO COPY OR REVISE THIS DRAWING OR TO USE THIS DRAWING FOR PRODUCTION IS STRICTLY PROHIBITED AND CAN ONLY BE COPIED, REVISED OR USED FOR PRODUCTION WITH THE EXPRESSED WRITTEN PERMISSION OF SIGNCOMP.

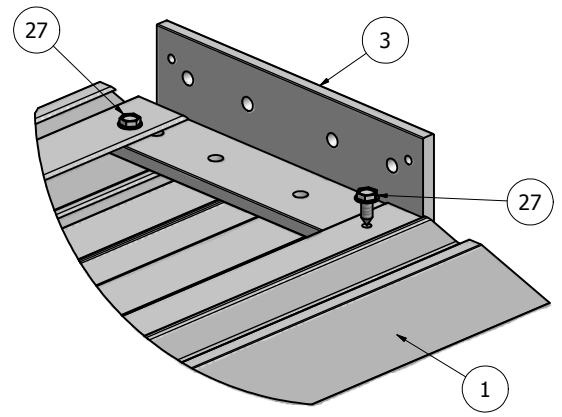
DRAWN	Steve	3/18/2009	<b>SignComp</b>	
CHECKED				
QA			TITLE	
MFG			1Part 2Part 9" Double Face - 2Part Retainer - Assembly	
APPROVED			SIZE	DWG NO
			C	1923-28-44BE
			SCALE	REV
				SHEET 1 OF 1

Parts List			
ITEM	PART #	DESCRIPTION	NOTES
1	1923	1Part 9" Double Face Body	Top & Bottom
2	1928	2Part 9" Double Face Body	Sides
3	5978	1Part 2Part 9" Double Face Corner Angle	
27	5218	Corner Angle Screw	Drill 5/32" Pilot Hole

Ship To:  
Order Number:



DETAIL A



DETAIL B

**NOTE: PRE-CUT KITS ARE NOT PRE-DRILLED.**  
(Holes shown in this drawing are for reference only.  
Drilling of pilot holes are to be done by fabricator.)

THIS DRAWING WAS CREATED AT NO CHARGE TO ASSIST YOU IN VISUALIZING OUR PROPOSAL. THE DRAWING HEREIN IS THE PROPERTY OF SIGNCOMP. PERMISSION TO COPY OR REVISE THIS DRAWING OR TO USE THIS DRAWING FOR PRODUCTION IS STRICTLY PROHIBITED AND CAN ONLY BE COPIED, REVISED OR USED FOR PRODUCTION WITH THE EXPRESSED WRITTEN PERMISSION OF SIGNCOMP.

DRAWN Steve	3/17/2009	<b>SignComp</b>	
CHECKED			
QA		TITLE	
MFG		1Part 2Part 9" Double Face	
APPROVED		SIZE C	DWG NO 1923-28BE
		SCALE	REV
			SHEET 1 OF 1