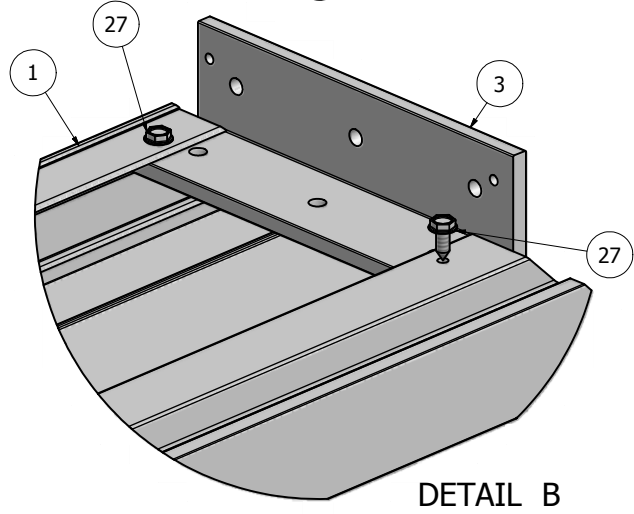
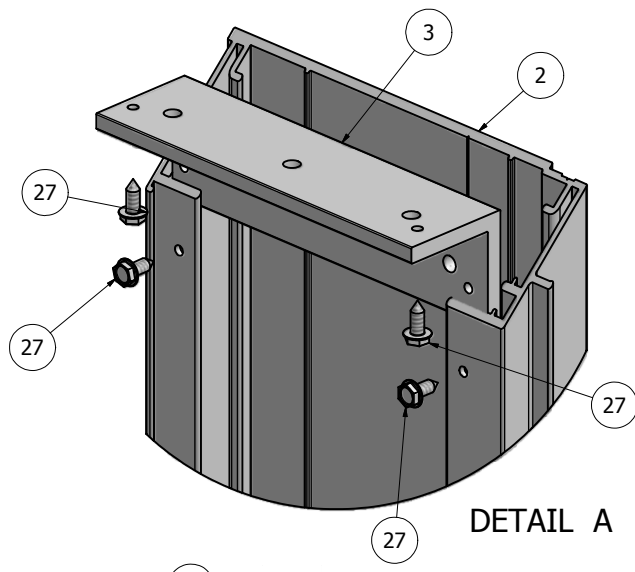
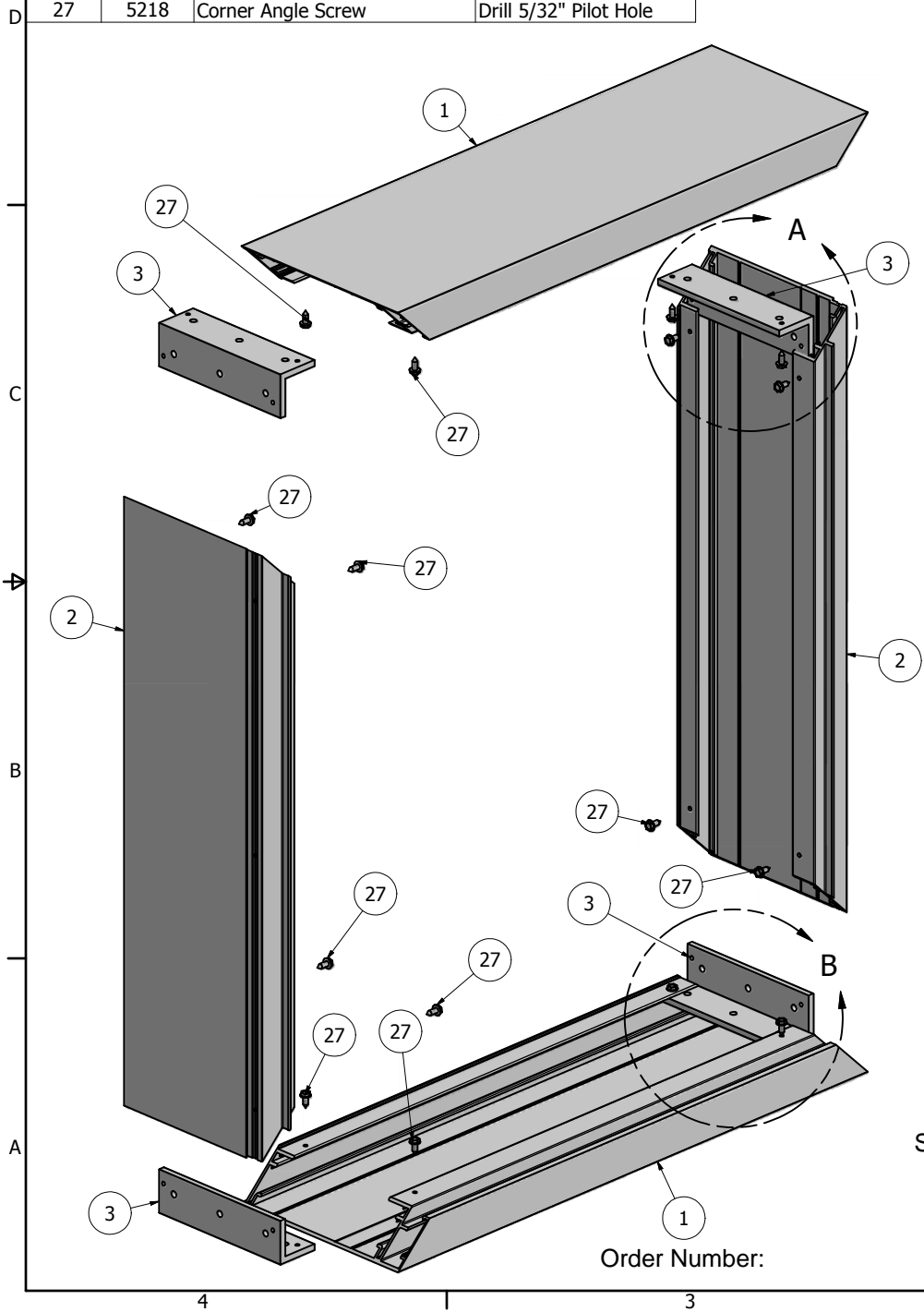


Parts List			
ITEM	PART #	DESCRIPTION	NOTES
1	1922	1Part 8" Single Face Body	Top & Bottom
2	1927	2Part 8" Single Face Body	Sides
3	5979	1Part 2Part Body Corner Angle	
27	5218	Corner Angle Screw	Drill 5/32" Pilot Hole



NOTE: PRE-CUT KITS ARE NOT PRE-DRILLED.
 (Holes shown in this drawing are for reference only.
 Drilling of pilot holes are to be done by fabricator.)

THIS DRAWING WAS CREATED AT NO CHARGE TO ASSIST YOU IN VISUALIZING OUR PROPOSAL. THE DRAWING HEREIN IS THE PROPERTY OF SIGNCOMP. PERMISSION TO COPY OR REVISE THIS DRAWING OR TO USE THIS DRAWING FOR PRODUCTION IS STRICTLY PROHIBITED AND CAN ONLY BE COPIED, REVISED OR USED FOR PRODUCTION WITH THE EXPRESSED WRITTEN PERMISSION OF SIGNCOMP.

DRAWN	12/16/2009	SignComp	
Steve			
CHECKED		TITLE	
QA		1Part 2Part 8" Single Face - Assembly	
MFG		SIZE	DWG NO
APPROVED		C	1922-27BE
		SCALE	SHEET 1 OF 1

Ship To:

Order Number: