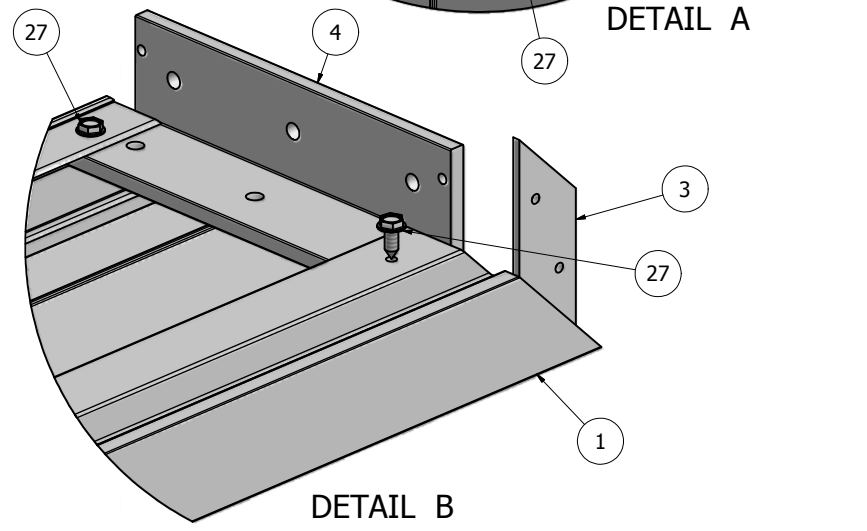
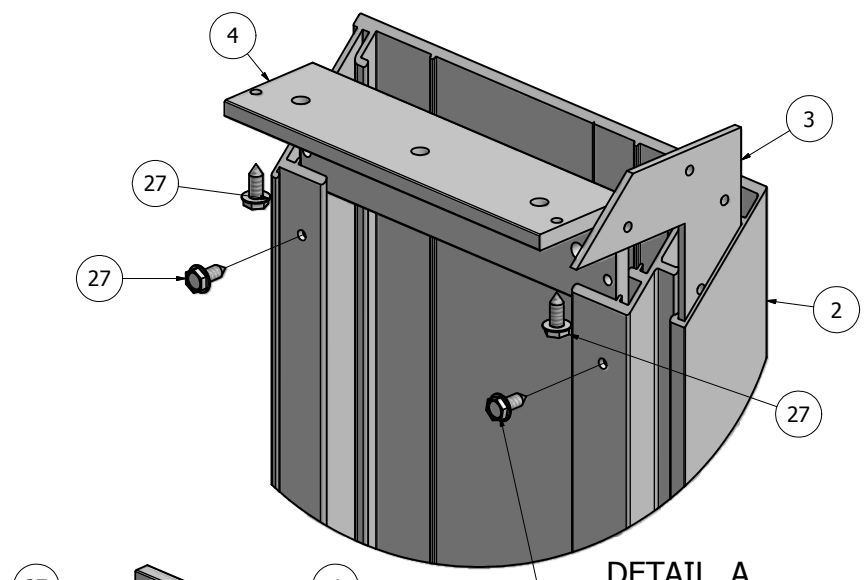
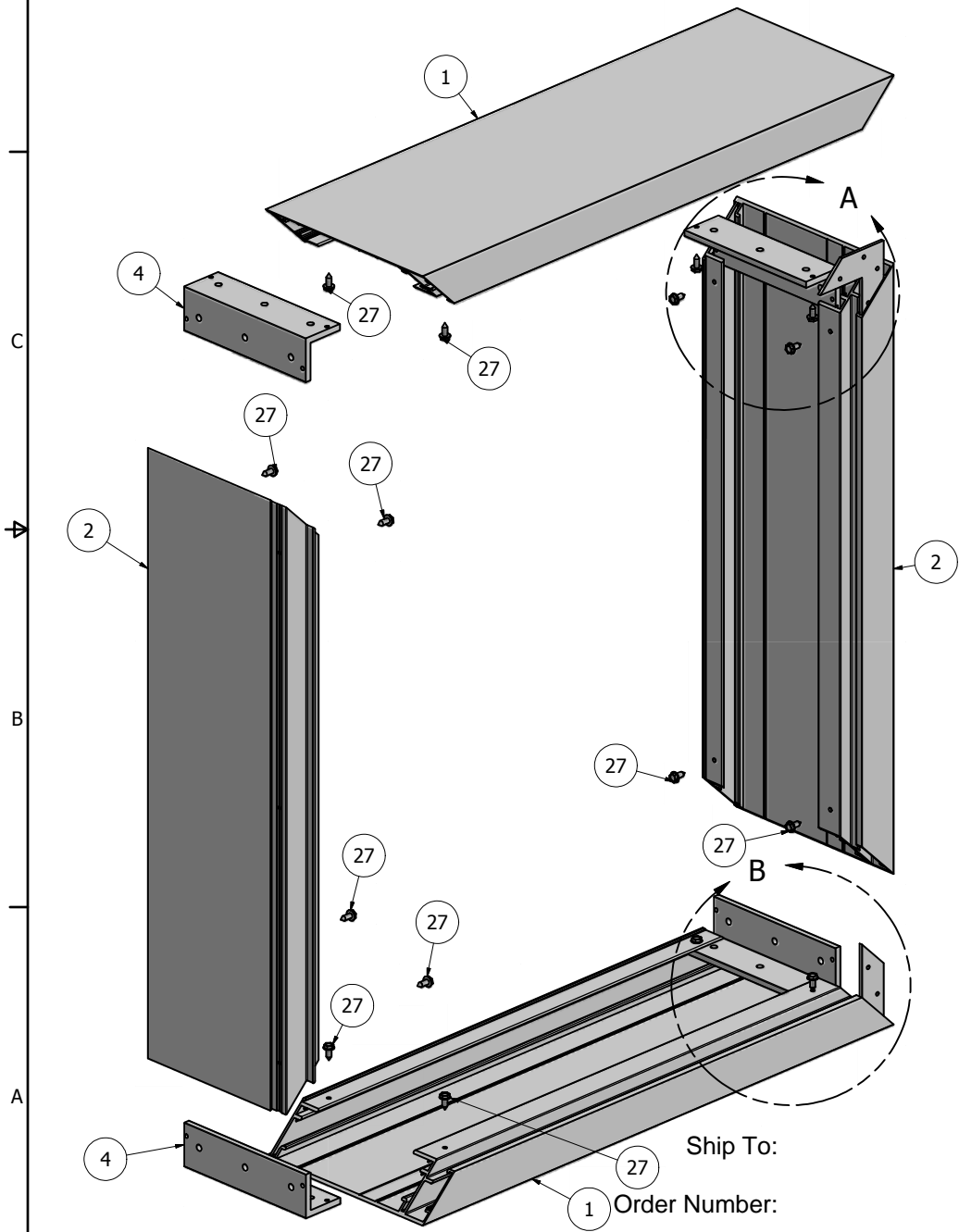


Parts List			
ITEM	PART #	DESCRIPTION	NOTES
1	1922	1Part 8" Single Face Body	Top, Bottom & One Side
2	1927	2Part 8" Single Face Body	One Side
3	5210	Corner Key	
4	5979	1Part 2Part 8" Single Face Body Corner Angle	
27	5218	Corner Angle Screw	Drill 5/32" Pilot Hole



NOTE: PRE-CUT KITS ARE NOT PRE-DRILLED.
 (Holes shown in this drawing are for reference only.
 Drilling of pilot holes are to be done by fabricator.)

THIS DRAWING WAS CREATED AT NO CHARGE TO ASSIST YOU IN VISUALIZING OUR PROPOSAL. THE DRAWING HEREIN IS THE PROPERTY OF SIGNCOMP. PERMISSION TO COPY OR REVISE THIS DRAWING OR TO USE THIS DRAWING FOR PRODUCTION IS STRICTLY PROHIBITED AND CAN ONLY BE COPIED, REVISED OR USED FOR PRODUCTION WITH THE EXPRESSED WRITTEN PERMISSION OF SIGNCOMP.

DRAWN	12/17/2009	SignComp	
CHECKED			
QA		TITLE	
MFG		1Part 8" Single Face Body - 2Part 8" Single Face Body - Assembly	
APPROVED		SIZE	DWG NO
		C	1922-27
		SCALE	SHEET 1 OF 1

Ship To:
 Order Number: