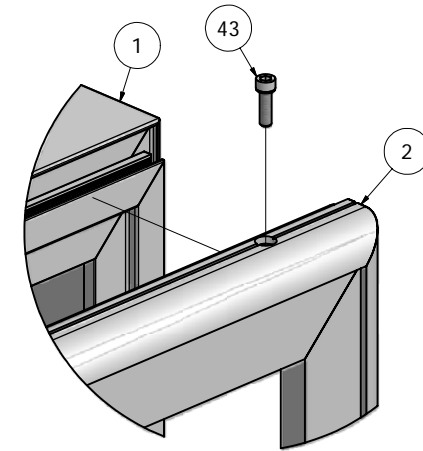
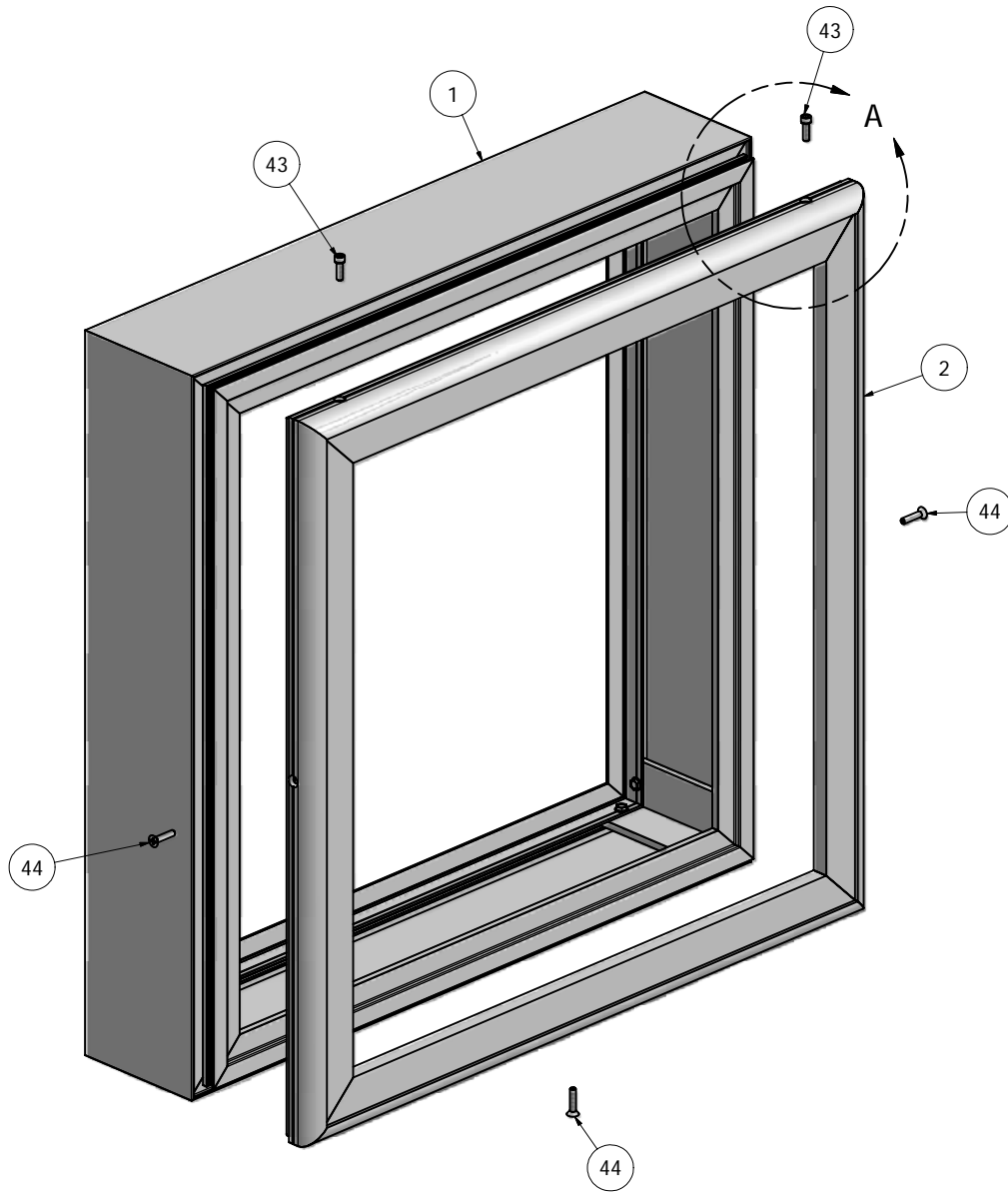
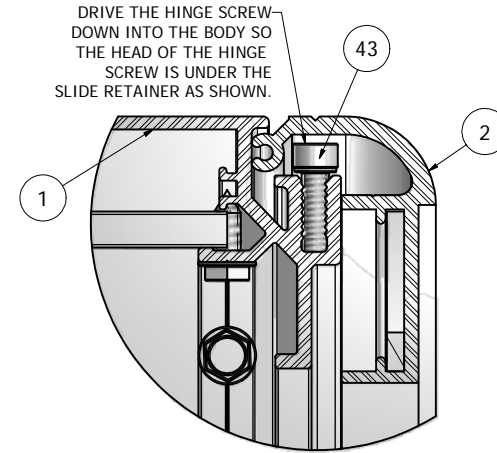


Parts List			
ITEM	PART #	DESCRIPTION	NOTES
1	K1602	Series 7 Single Face Hinge Body Assembly	
2	K1640	1/4 Round Retainer Assembly	
43	5280	Hinge Screw	Drill 11/32" Pilot Hole
44	5230	Closure Screw	Drill #10 Counter Sink



DETAIL A



DETAIL C

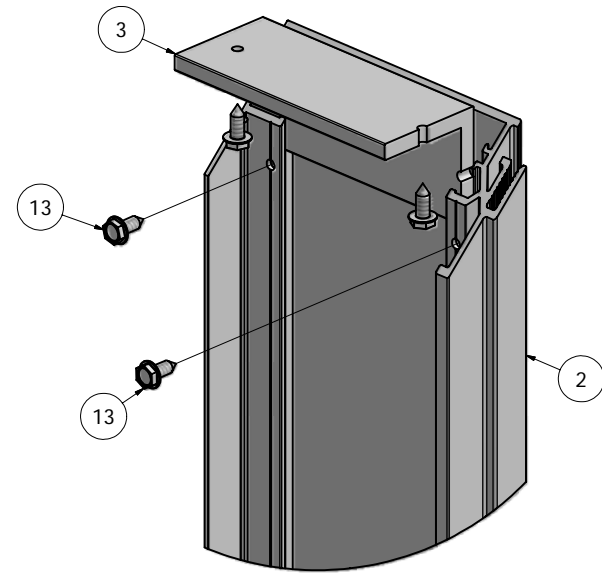
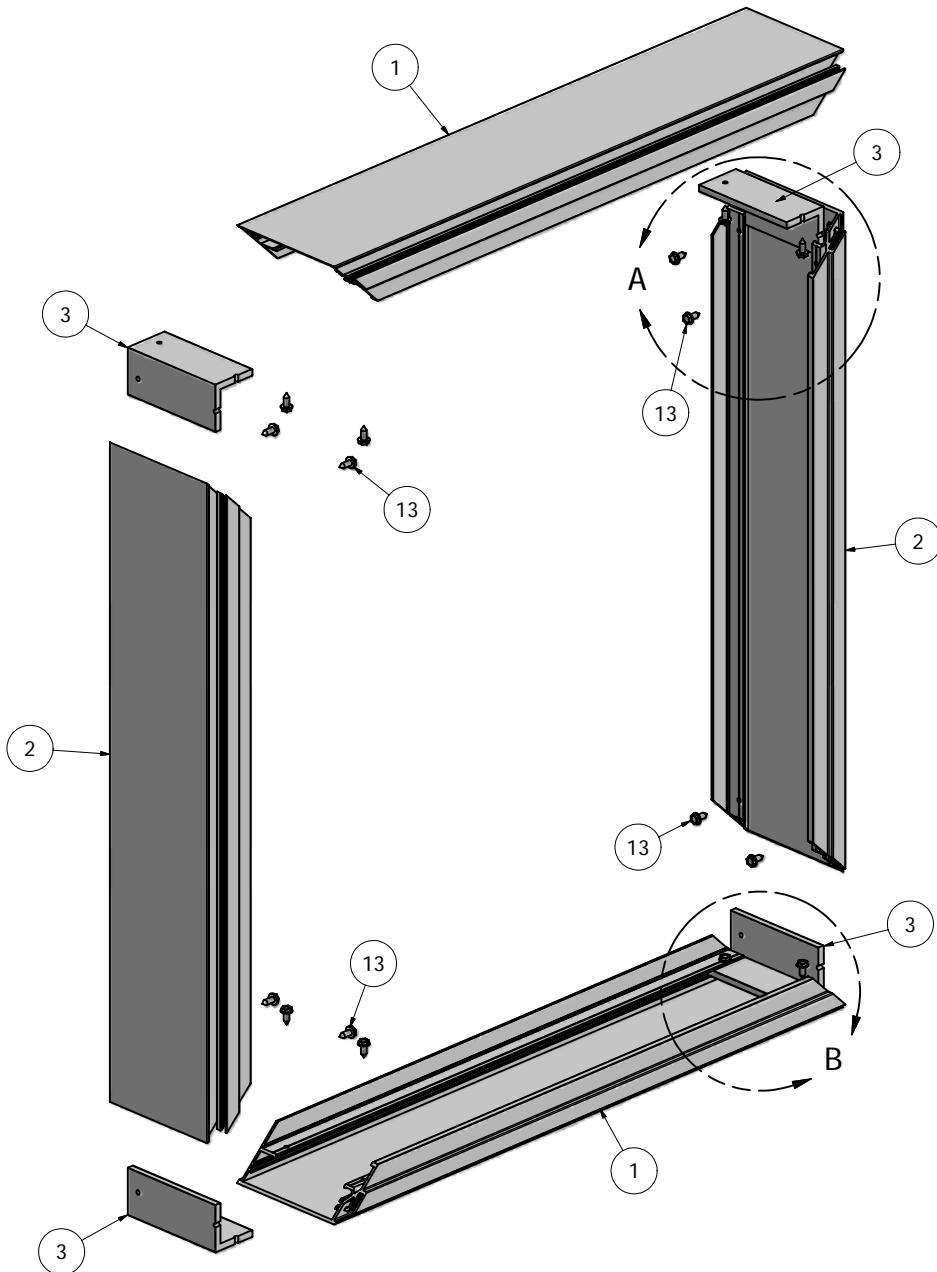
**NOTE: PRE-CUT KITS ARE NOT PRE-DRILLED.**

(Holes shown in this drawing are for reference only.  
Drilling of pilot holes are to be done by fabricator.)

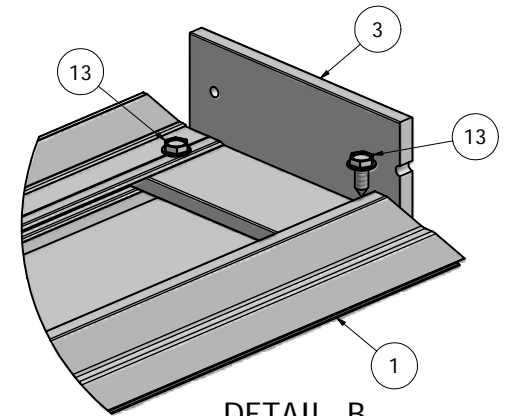
THIS DRAWING WAS CREATED AT NO CHARGE TO ASSIST YOU IN VISUALIZING OUR PROPOSAL. THE DRAWING HEREIN IS THE PROPERTY OF SIGNCOMP. PERMISSION TO COPY OR REVISE THIS DRAWING OR TO USE THIS DRAWING FOR PRODUCTION IS STRICTLY PROHIBITED AND CAN ONLY BE COPIED, REVISED OR USED FOR PRODUCTION WITH THE EXPRESSED WRITTEN PERMISSION OF SIGNCOMP.

DRAWN Steve	1/16/2009	<b>SignComp</b>		
CHECKED				
QA		TITLE Series 7 Single Face Hinge Body - 1/4 Round Retainer - Assembly		
MFG		SIZE C	DWG NO K1602/40	REV
APPROVED		SCALE	SHEET 1 OF 1	

Parts List			
ITEM	PART #	DESCRIPTION	NOTES
1	1602	Series 7 Single Face Hinge Body	Top & Bottom
2	1602	Series 7 Single Face Hinge Body	Sides
3	5346	Series 7 Single Face Hinge Body Corner Angle	
13	5218	Corner Angle Screw	Drill 5/32" Pilot Hole



DETAIL A



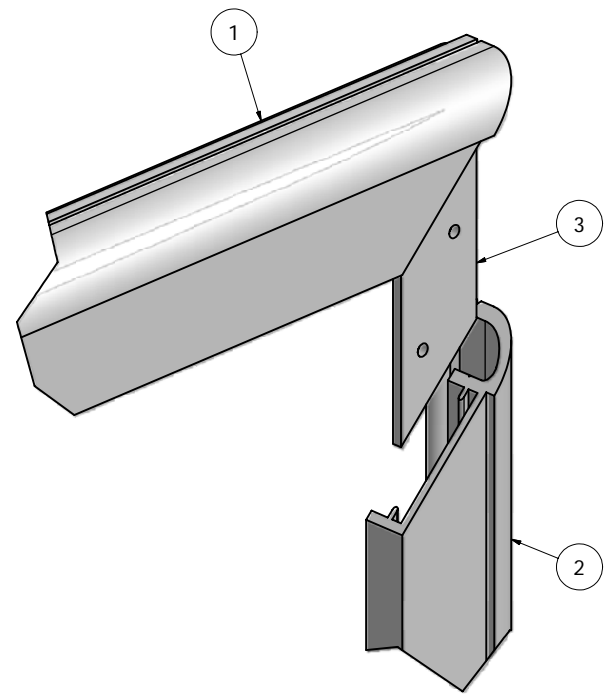
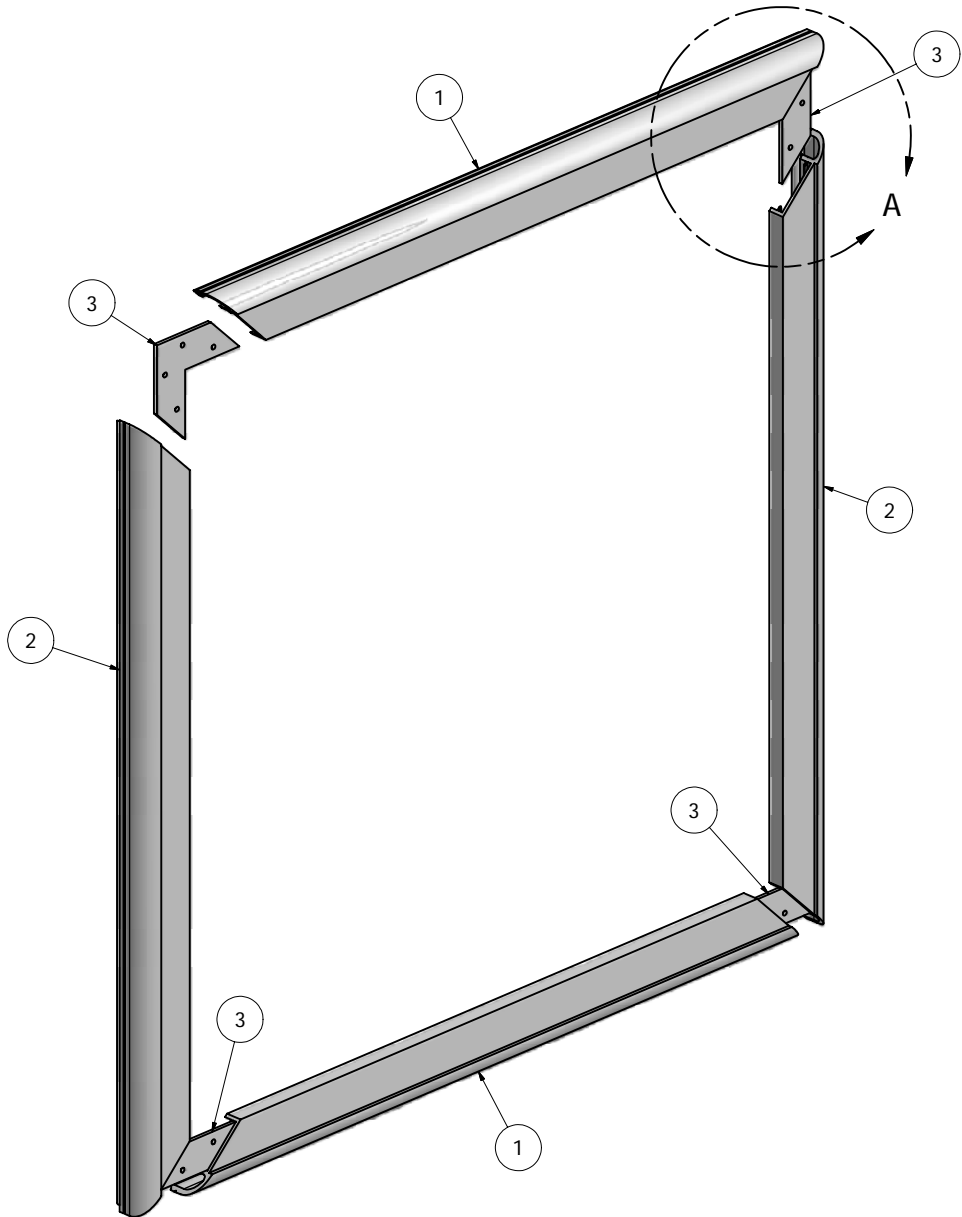
DETAIL B

**NOTE: PRE-CUT KITS ARE NOT PRE-DRILLED.**  
 (Holes shown in this drawing are for reference only.  
 Drilling of pilot holes are to be done by fabricator.)

THIS DRAWING WAS CREATED AT NO CHARGE TO ASSIST YOU IN VISUALIZING OUR PROPOSAL. THE DRAWING HEREIN IS THE PROPERTY OF SIGNCOMP. PERMISSION TO COPY OR REVISE THIS DRAWING OR TO USE THIS DRAWING FOR PRODUCTION IS STRICTLY PROHIBITED AND CAN ONLY BE COPIED, REVISED OR USED FOR PRODUCTION WITH THE EXPRESSED WRITTEN PERMISSION OF SIGNCOMP.

DRAWN Steve	12/19/2008	<b>SignComp</b>	
CHECKED			
QA		TITLE	
MFG		Series 7 Single Face Hinge Body - Assembly	
APPROVED		SIZE C	DWG NO K1602
		SCALE	REV
			SHEET 1 OF 1

Parts List			
ITEM	PART #	DESCRIPTION	NOTES
1	1640	1/4 Round Retainer	Top & Bottom
2	1640	1/4 Round Retainer	Sides
3	5210	Corner Key	Pre-Punched



DETAIL A

**NOTE: PRE-CUT KITS ARE NOT PRE-DRILLED.**  
 (Holes shown in this drawing are for reference only.  
 Drilling of pilot holes are to be done by fabricator.)

THIS DRAWING WAS CREATED AT NO CHARGE TO ASSIST YOU IN VISUALIZING OUR PROPOSAL. THE DRAWING HEREIN IS THE PROPERTY OF SIGNCOMP. PERMISSION TO COPY OR REVISE THIS DRAWING OR TO USE THIS DRAWING FOR PRODUCTION IS STRICTLY PROHIBITED AND CAN ONLY BE COPIED, REVISED OR USED FOR PRODUCTION WITH THE EXPRESSED WRITTEN PERMISSION OF SIGNCOMP.			
DRAWN Steve	12/22/2008	<h1>SignComp</h1> <p>1/4 Round Retainer - Assembly</p>	
CHECKED			
QA			
MFG			
APPROVED			
SIZE C	DWG NO K1640	REV	
SCALE	SHEET 1 OF 1		