

Parts List			
ITEM	PART #	DESCRIPTION	NOTES
1	K1602	Series 7 Single Face Hinge Body	Assembly
2	K1632	Bleed Retainer	Assembly
43	5280	Hinge Screw	Drill 11/32" Pilot Hole
44	5230	Closure Screw	Drill #10 Counter Sink

Ship To:

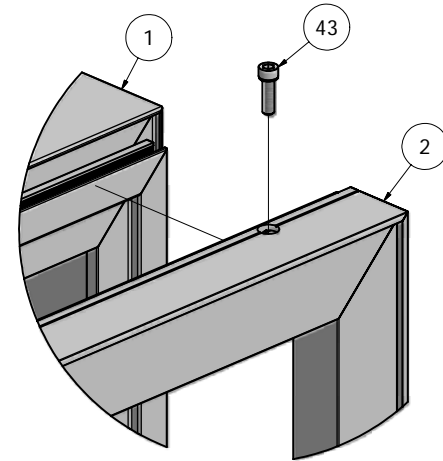
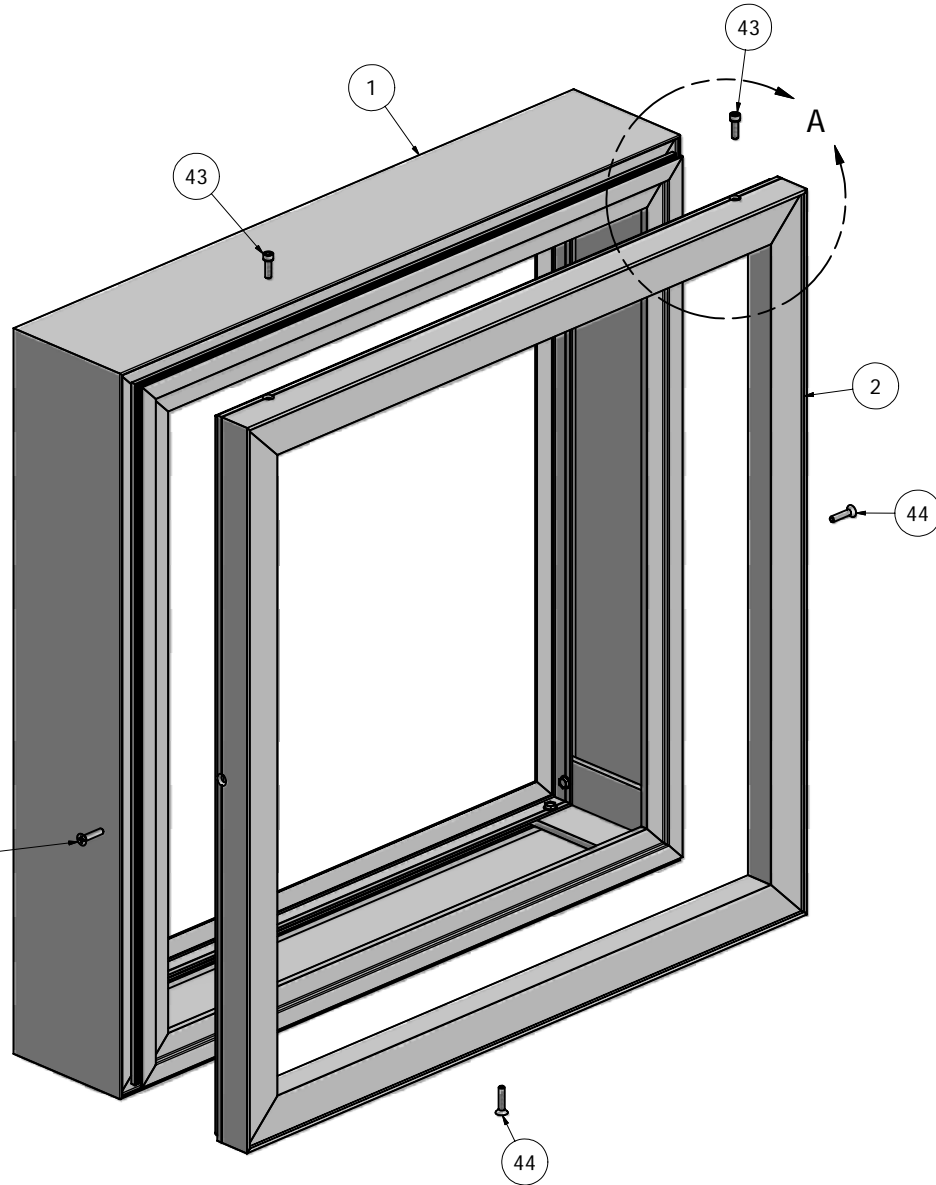
Order #:

D

C

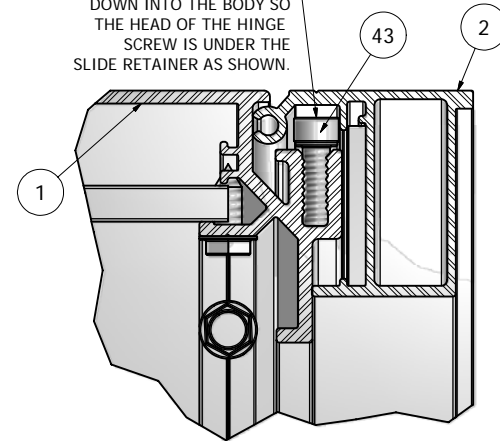
B

A



DETAIL A

DRIVE THE HINGE SCREW DOWN INTO THE BODY SO THE HEAD OF THE HINGE SCREW IS UNDER THE SLIDE RETAINER AS SHOWN.



DETAIL C

**NOTE: PRE-CUT KITS ARE NOT PRE-DRILLED.**

(Holes shown in this drawing are for reference only.  
Drilling of pilot holes are to be done by fabricator.)

THIS DRAWING WAS CREATED AT NO CHARGE TO ASSIST YOU IN VISUALIZING OUR PROPOSAL. THE DRAWING HEREIN IS THE PROPERTY OF SIGNCOMP. PERMISSION TO COPY OR REVISE THIS DRAWING OR TO USE THIS DRAWING FOR PRODUCTION IS STRICTLY PROHIBITED AND CAN ONLY BE COPIED, REVISED OR USED FOR PRODUCTION WITH THE EXPRESSED WRITTEN PERMISSION OF SIGNCOMP.

DRAWN	Steve	1/15/2009	<b>SignComp</b>		
CHECKED					
QA			TITLE		
MFG			Series 7 Single Face Hinge Body - Bleed Retainer - Assembly		
APPROVED			SIZE	DWG NO	REV
			C	K1602/32	
			SCALE	SHEET 1 OF 1	

4

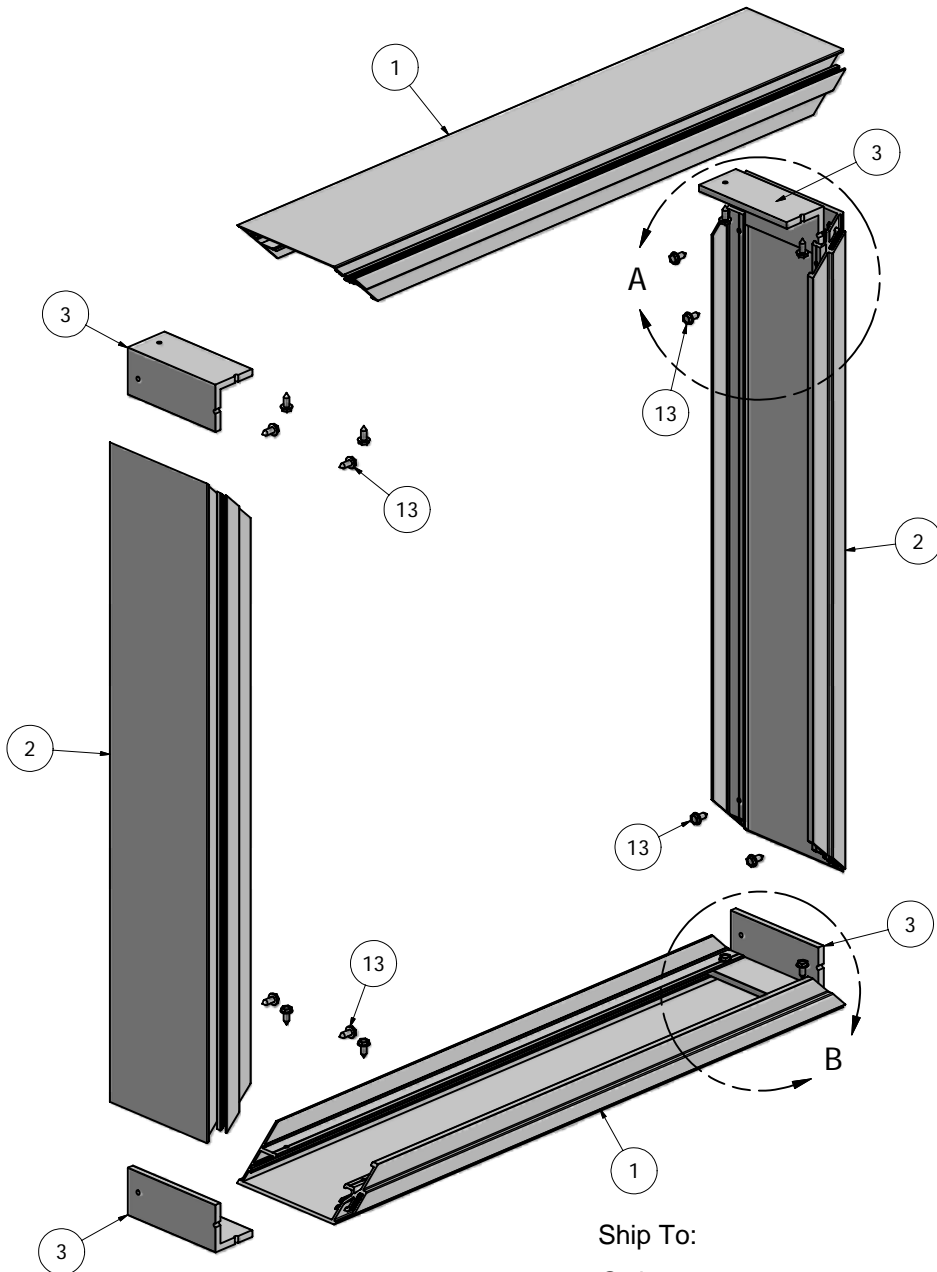
3

2

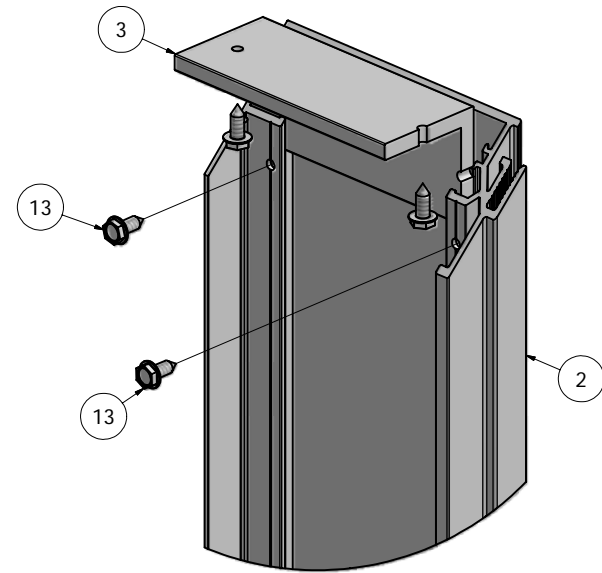
1

A

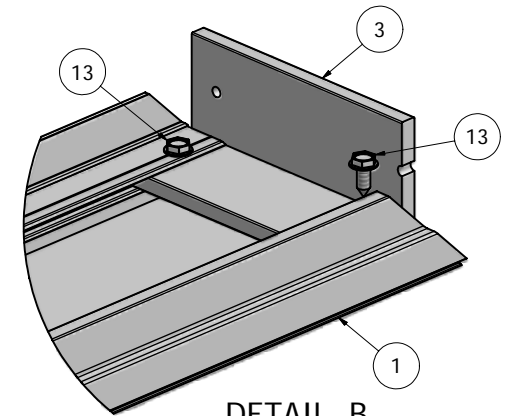
Parts List			
ITEM	PART #	DESCRIPTION	NOTES
1	1602	Series 7 Single Face Hinge Body	Top & Bottom
2	1602	Series 7 Single Face Hinge Body	Sides
3	5346	Series 7 Single Face Hinge Body Corner Angle	
13	5218	Corner Angle Screw	Drill 5/32" Pilot Hole



Ship To:  
Order #:



DETAIL A



DETAIL B

**NOTE: PRE-CUT KITS ARE NOT PRE-DRILLED.**  
(Holes shown in this drawing are for reference only.  
Drilling of pilot holes are to be done by fabricator.)

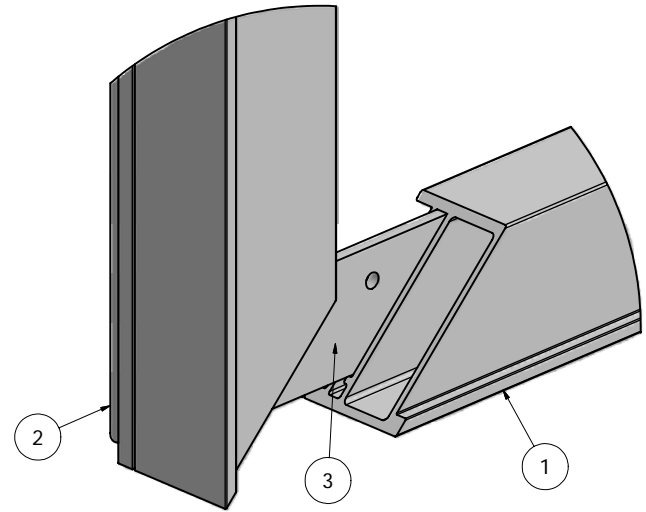
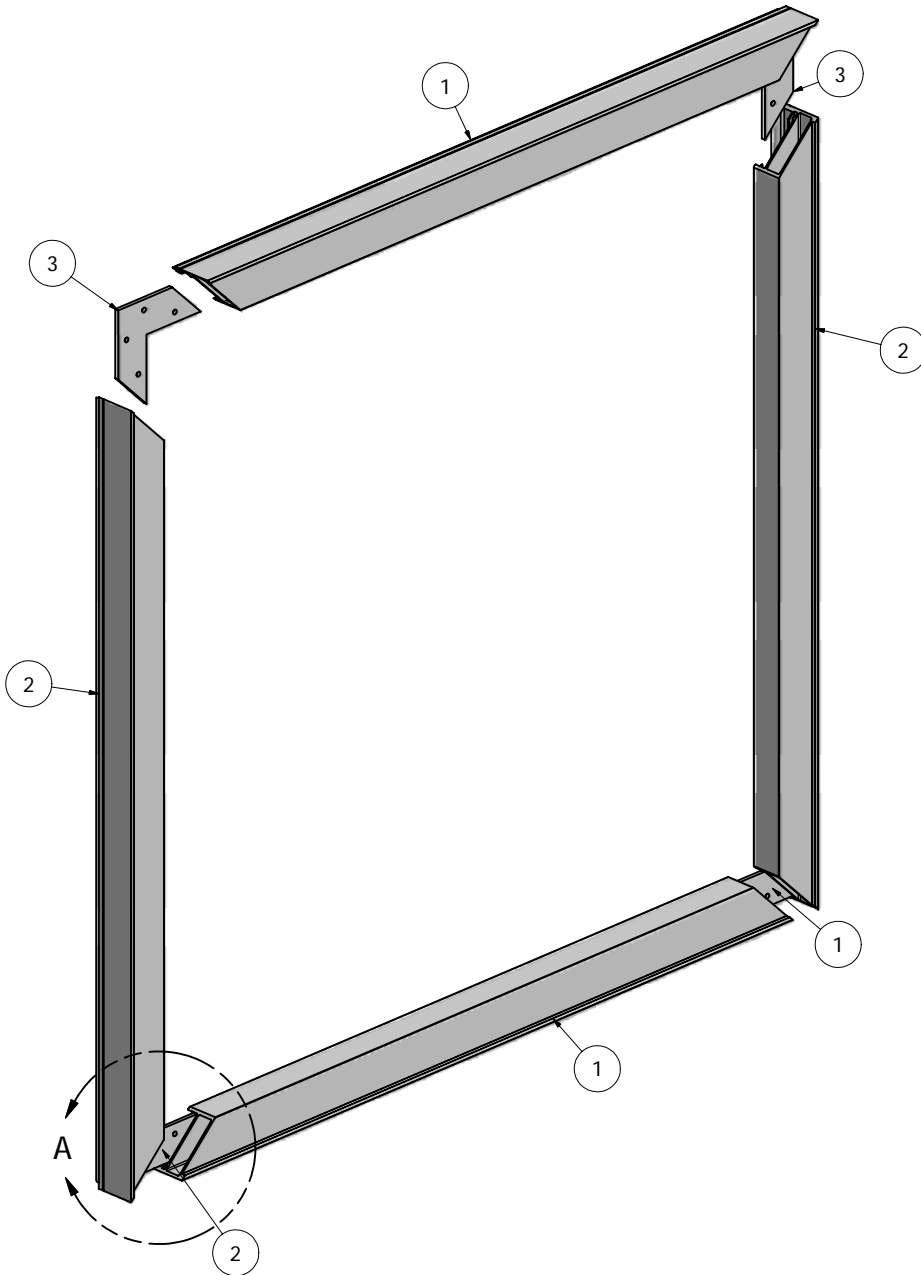
THIS DRAWING WAS CREATED AT NO CHARGE TO ASSIST YOU IN VISUALIZING OUR PROPOSAL. THE DRAWING HEREIN IS THE PROPERTY OF SIGNCOMP. PERMISSION TO COPY OR REVISE THIS DRAWING OR TO USE THIS DRAWING FOR PRODUCTION IS STRICTLY PROHIBITED AND CAN ONLY BE COPIED, REVISED OR USED FOR PRODUCTION WITH THE EXPRESSED WRITTEN PERMISSION OF SIGNCOMP.

DRAWN Steve	12/19/2008	<b>SignComp</b>		
CHECKED				
QA		TITLE Series 7 Single Face Hinge Body - Assembly		
MFG		SIZE C	DWG NO K1602	REV
APPROVED		SCALE	SHEET 1 OF 1	

Parts List			
ITEM	PART #	DESCRIPTION	NOTES
1	1632	Bleed Retainer	Top & Bottom
2	1632	Bleed Retainer	Sides
3	5210	Corner Key	Pre-Punched

Ship To:

Order #:



DETAIL A

**NOTE: PRE-CUT KITS ARE NOT PRE-DRILLED.**

(Holes shown in this drawing are for reference only.  
Drilling of pilot holes are to be done by fabricator.)

THIS DRAWING WAS CREATED AT NO CHARGE TO ASSIST YOU IN VISUALIZING OUR PROPOSAL. THE DRAWING HEREIN IS THE PROPERTY OF SIGNCOMP. PERMISSION TO COPY OR REVISE THIS DRAWING OR TO USE THIS DRAWING FOR PRODUCTION IS STRICTLY PROHIBITED AND CAN ONLY BE COPIED, REVISED OR USED FOR PRODUCTION WITH THE EXPRESSED WRITTEN PERMISSION OF SIGNCOMP.

DRAWN	12/22/2008	<h1>SignComp</h1> <p>Bleed Retainer - Assembly</p>		
CHECKED				
QA				
MFG				
APPROVED				
		SIZE	DWG NO	REV
		C	K1632	
		SCALE	SHEET 1 OF 1	