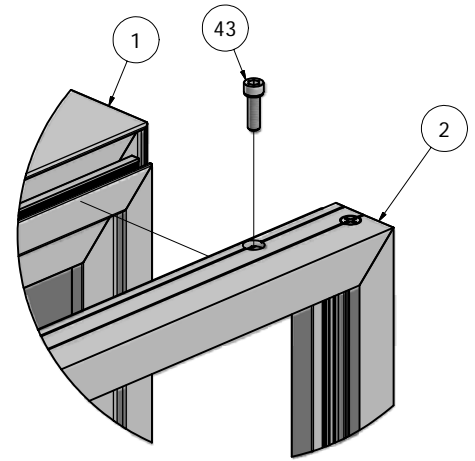
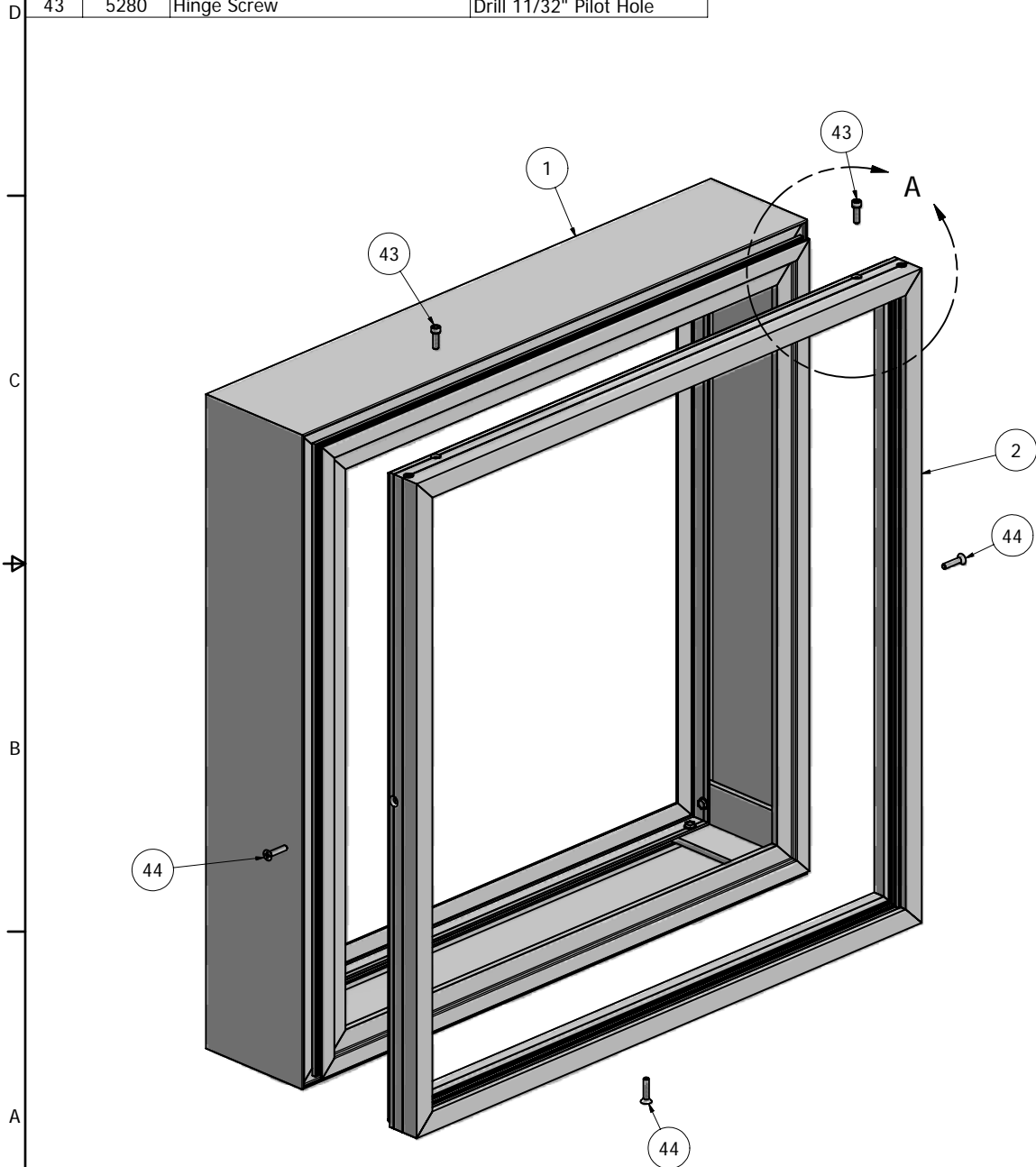


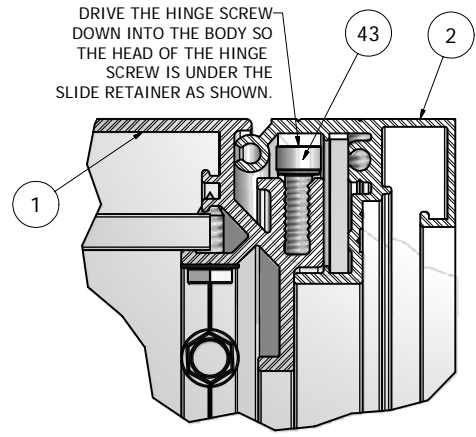
Parts List			
ITEM	PART #	DESCRIPTION	NOTES
1	K1602	Series 7 Single Face Hinge Body	Assembly
2	K1626	3/4 Slide Retainer	Assembly
44	5230	Closure Screw	Drill #10 Counter Sink
43	5280	Hinge Screw	Drill 11/32" Pilot Hole

Ship To:

Order #:



DETAIL A



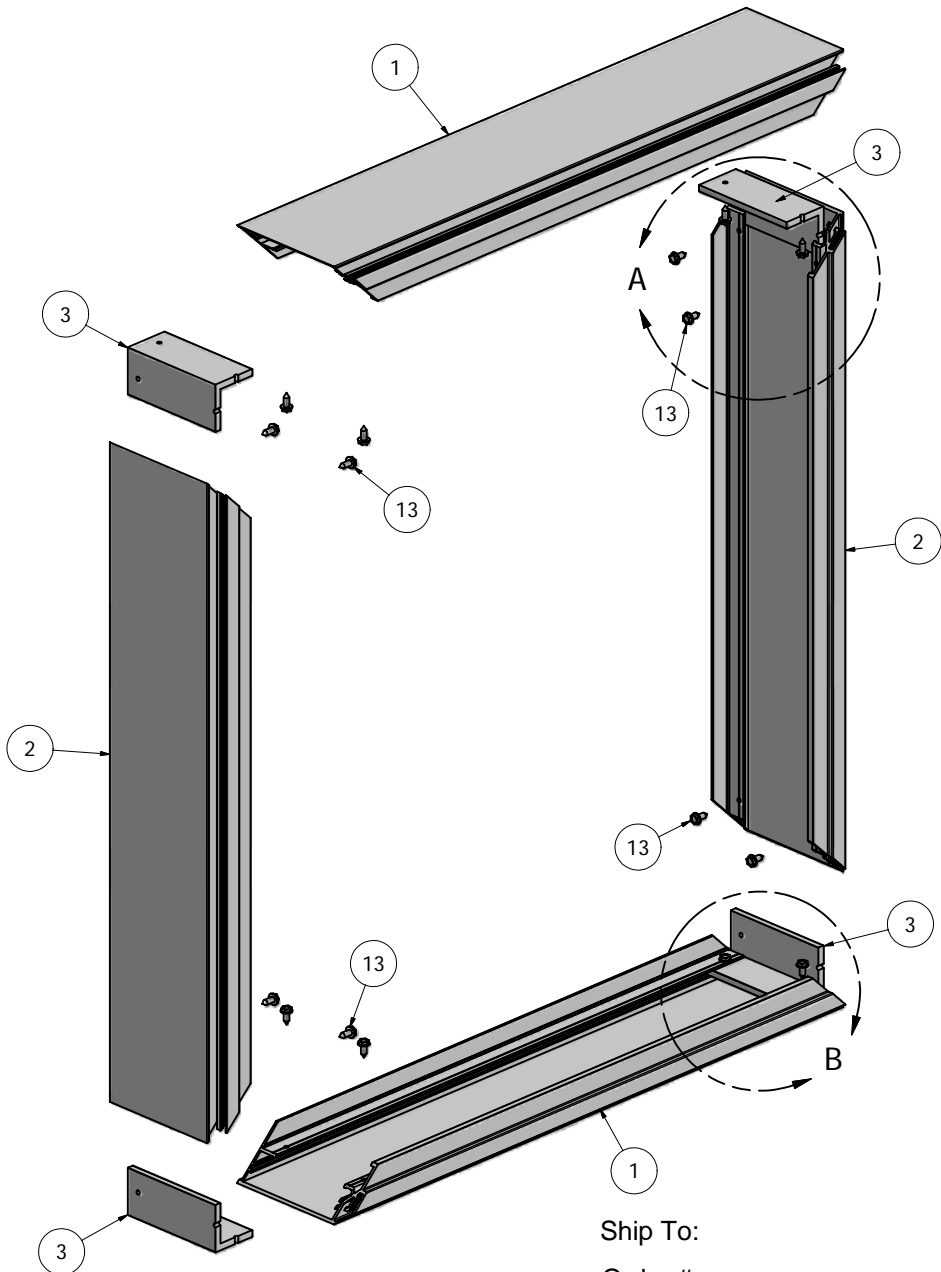
DETAIL C

NOTE: PRE-CUT KITS ARE NOT PRE-DRILLED.
 (Holes shown in this drawing are for reference only.
 Drilling of pilot holes are to be done by fabricator.)

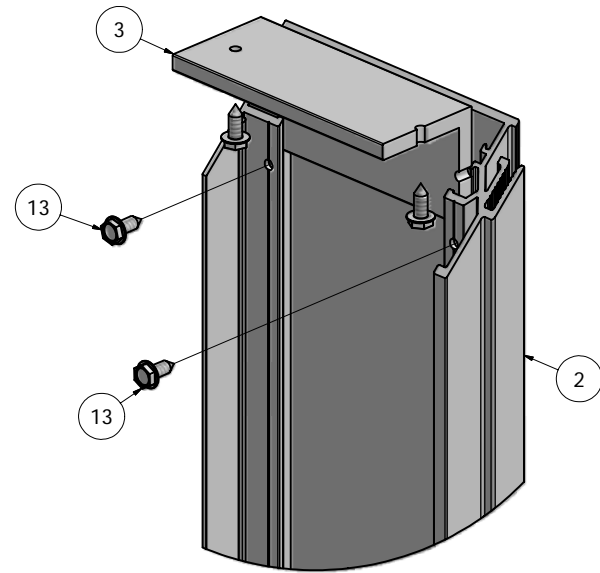
THIS DRAWING WAS CREATED AT NO CHARGE TO ASSIST YOU IN VISUALIZING OUR PROPOSAL. THE DRAWING HEREIN IS THE PROPERTY OF SIGNCOMP. PERMISSION TO COPY OR REVISE THIS DRAWING OR TO USE THIS DRAWING FOR PRODUCTION IS STRICTLY PROHIBITED AND CAN ONLY BE COPIED, REVISED OR USED FOR PRODUCTION WITH THE EXPRESSED WRITTEN PERMISSION OF SIGNCOMP.

DRAWN	Steve	1/15/2009	SignComp		
CHECKED					
QA			TITLE		
MFG			Series 7 Single Face Hinge Body - 3/4 Slide Retainer - Assembly		
APPROVED			SIZE	DWG NO	REV
			C	K1602/26	
			SCALE	SHEET 1 OF 1	

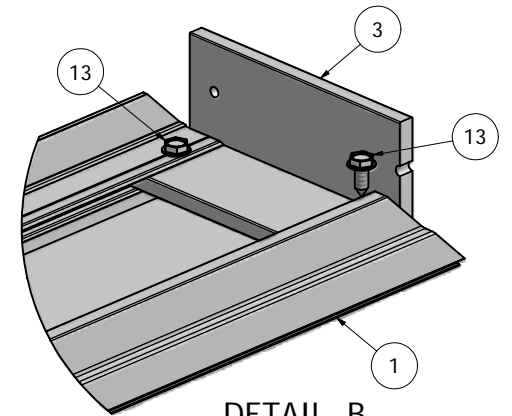
Parts List			
ITEM	PART #	DESCRIPTION	NOTES
1	1602	Series 7 Single Face Hinge Body	Top & Bottom
2	1602	Series 7 Single Face Hinge Body	Sides
3	5346	Series 7 Single Face Hinge Body Corner Angle	
13	5218	Corner Angle Screw	Drill 5/32" Pilot Hole



Ship To:
Order #:



DETAIL A



DETAIL B

NOTE: PRE-CUT KITS ARE NOT PRE-DRILLED.
(Holes shown in this drawing are for reference only.
Drilling of pilot holes are to be done by fabricator.)

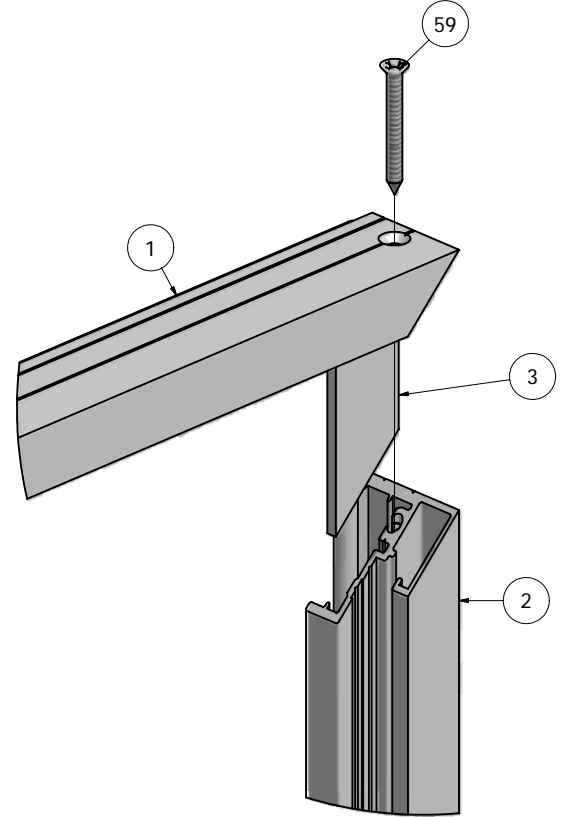
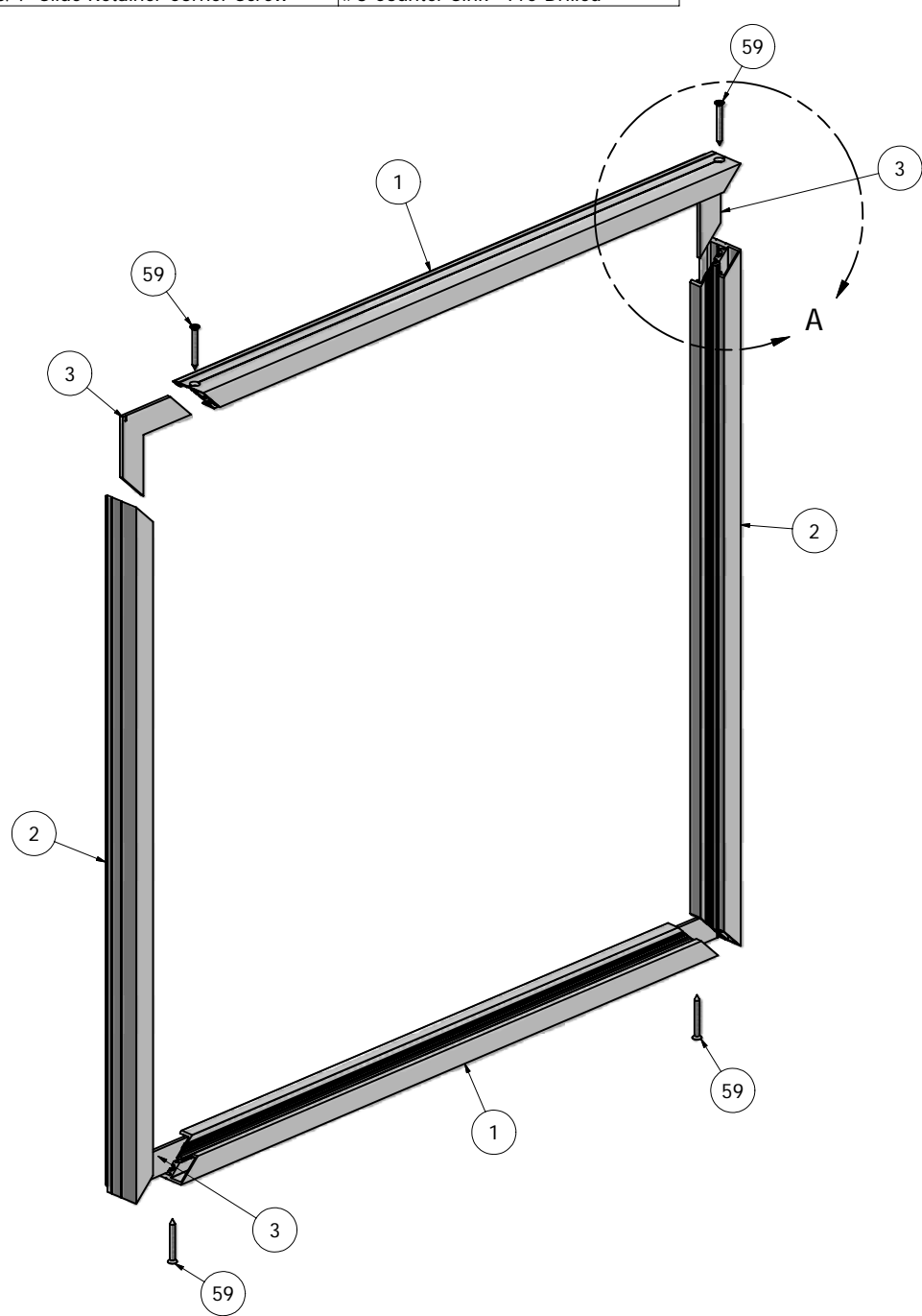
THIS DRAWING WAS CREATED AT NO CHARGE TO ASSIST YOU IN VISUALIZING OUR PROPOSAL. THE DRAWING HEREIN IS THE PROPERTY OF SIGNCOMP. PERMISSION TO COPY OR REVISE THIS DRAWING OR TO USE THIS DRAWING FOR PRODUCTION IS STRICTLY PROHIBITED AND CAN ONLY BE COPIED, REVISED OR USED FOR PRODUCTION WITH THE EXPRESSED WRITTEN PERMISSION OF SIGNCOMP.

DRAWN Steve	12/19/2008	SignComp		
CHECKED				
QA		TITLE Series 7 Single Face Hinge Body - Assembly		
MFG		SIZE C	DWG NO K1602	REV
APPROVED		SCALE	SHEET 1 OF 1	

Parts List			
ITEM	PART #	DESCRIPTION	NOTES
1	1626	3/4" Slide Retainer	Top & Bottom
2	1626	3/4" Slide Retainer	Sides
3	5226	Corner Key	Special Corner Key for the 1626
59	5270	3/4" Slide Retainer Corner Screw	#8 Counter Sink - Pre-Drilled

Ship To:

Order #:



DETAIL A

NOTE: PRE-CUT KITS ARE NOT PRE-DRILLED.

(Holes shown in this drawing are for reference only.
Drilling of pilot holes are to be done by fabricator.)

THIS DRAWING WAS CREATED AT NO CHARGE TO ASSIST YOU IN VISUALIZING OUR PROPOSAL. THE DRAWING HEREIN IS THE PROPERTY OF SIGNCOMP. PERMISSION TO COPY OR REVISE THIS DRAWING OR TO USE THIS DRAWING FOR PRODUCTION IS STRICTLY PROHIBITED AND CAN ONLY BE COPIED, REVISED OR USED FOR PRODUCTION WITH THE EXPRESSED WRITTEN PERMISSION OF SIGNCOMP.

DRAWN	12/22/2008	<h1>SignComp</h1> <p>3/4" Slide Retainer - Assembly</p>	
Steve			
CHECKED			
QA			
MFG			
APPROVED		TITLE	
		SIZE	DWG NO
		C	K1626
		SCALE	REV
			SHEET 1 OF 1