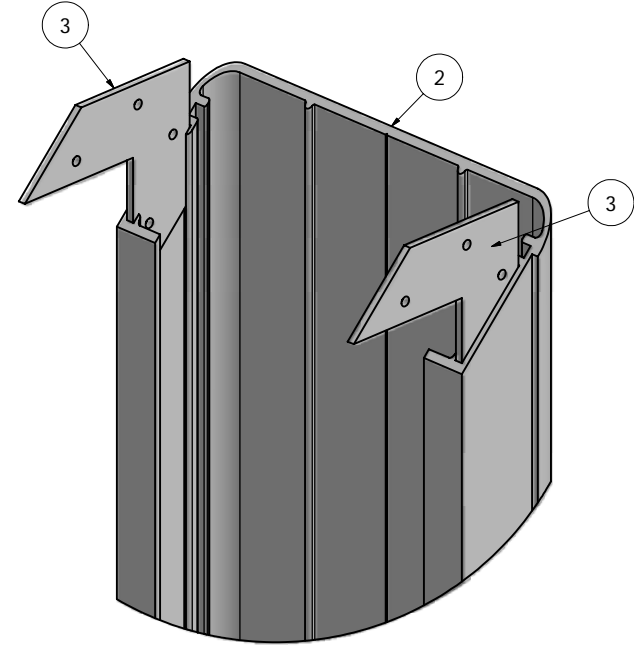
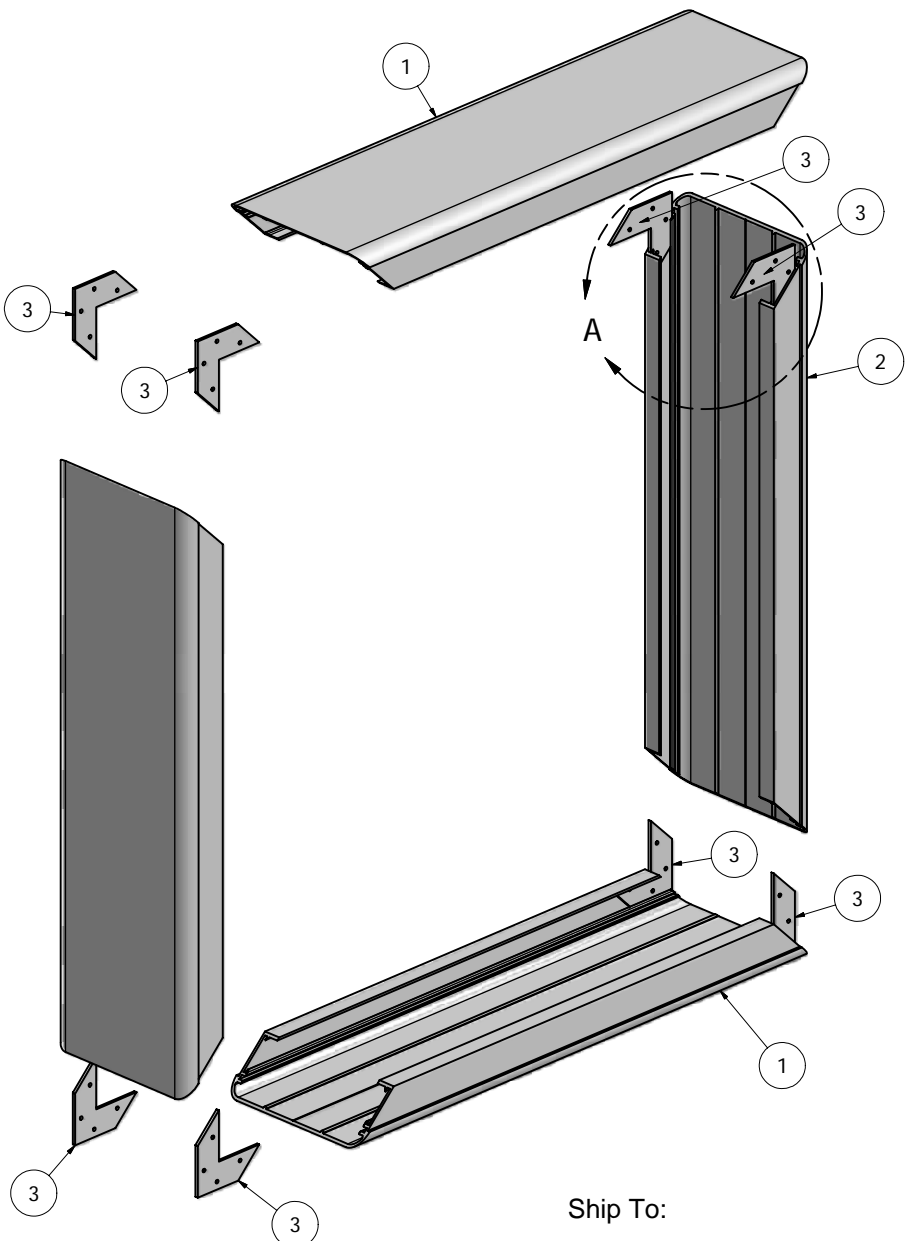


Parts List			
ITEM	PART #	DESCRIPTION	NOTES
1	1580	Series 7, 1/4 Round Body	Top & Bottom
2	1580	Series 7, 1/4 Round Body	Sides
3	5210	Corner Key	



DETAIL A

NOTE: PRE-CUT KITS ARE NOT PRE-DRILLED.
 (Holes shown in this drawing are for reference only.
 Drilling of pilot holes are to be done by fabricator.)

Ship To:
 Order #:

THIS DRAWING WAS CREATED AT NO CHARGE TO ASSIST YOU IN VISUALIZING OUR PROPOSAL. THE DRAWING HEREIN IS THE PROPERTY OF SIGNCOMP. PERMISSION TO COPY OR REVISE THIS DRAWING OR TO USE THIS DRAWING FOR PRODUCTION IS STRICTLY PROHIBITED AND CAN ONLY BE COPIED, REVISED OR USED FOR PRODUCTION WITH THE EXPRESSED WRITTEN PERMISSION OF SIGNCOMP.			
DRAWN Steve	2/6/2009	<h1>SignComp</h1> <p>Series 7, 1/4 Round Body - Assembly</p>	
CHECKED			
QA			
MFG			
APPROVED			
SIZE C	DWG NO K1580	REV	
SCALE	SHEET 1 OF 1		