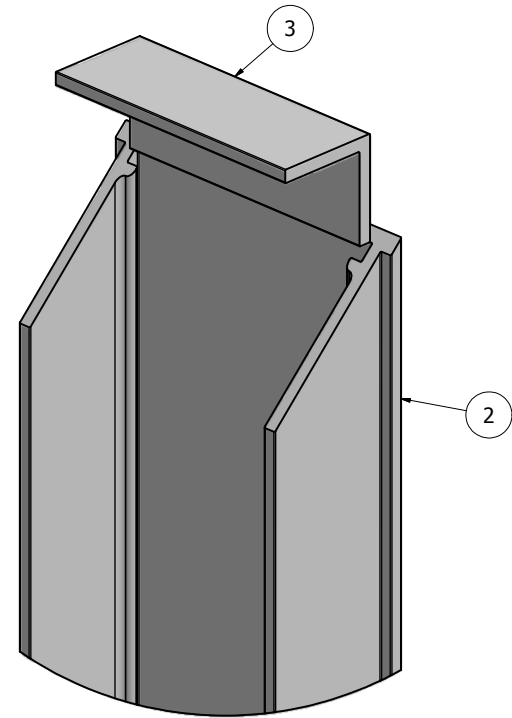
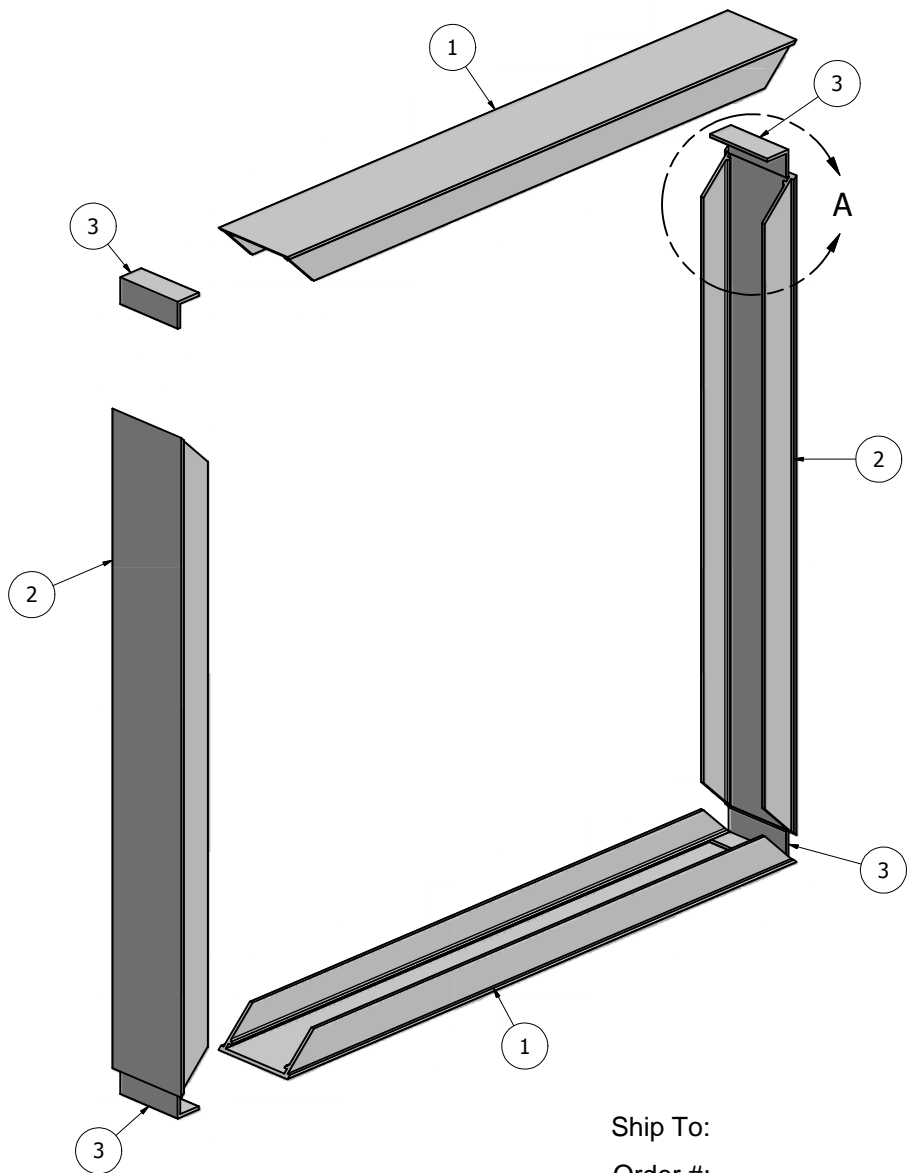


Parts List			
ITEM	PART #	DESCRIPTION	NOTES
1	1270	Series 3 Bleed Body	Top & Bottom
2	1270	Series 3 Bleed Body	Sides
3	5337	Series 3 Bleed Body Corner Angle	



DETAIL A

NOTE: PRE-CUT KITS ARE NOT PRE-DRILLED.
 (Holes shown in this drawing are for reference only.
 Drilling of pilot holes are to be done by fabricator.)

THIS DRAWING WAS CREATED AT NO CHARGE TO ASSIST YOU IN VISUALIZING OUR PROPOSAL. THE DRAWING HEREIN IS THE PROPERTY OF SIGNCOMP. PERMISSION TO COPY OR REVISE THIS DRAWING OR TO USE THIS DRAWING FOR PRODUCTION IS STRICTLY PROHIBITED AND CAN ONLY BE COPIED, REVISED OR USED FOR PRODUCTION WITH THE EXPRESSED WRITTEN PERMISSION OF SIGNCOMP.

DRAWN	4/1/2010	<h1>SignComp</h1> <p>Series 3 Bleed Body - Assembly</p>			
CHECKED					
QA					
MFG					
APPROVED					
SIZE	C	DWG NO	K1260	REV	
SCALE		SHEET 1 OF 1			

Ship To:
 Order #: