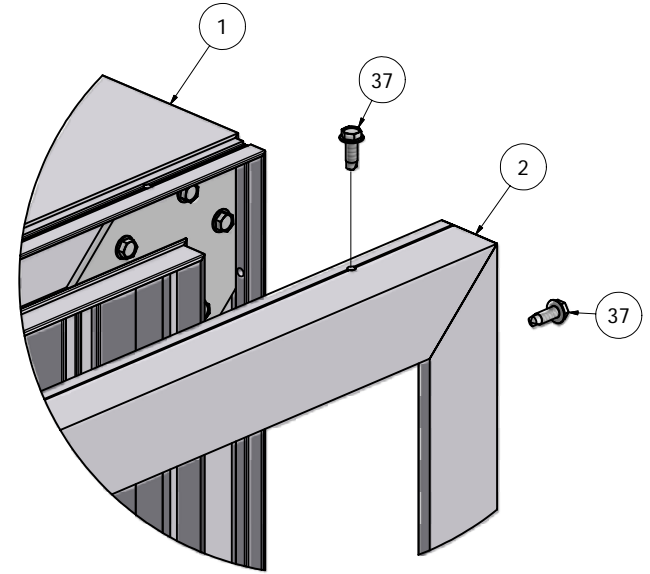
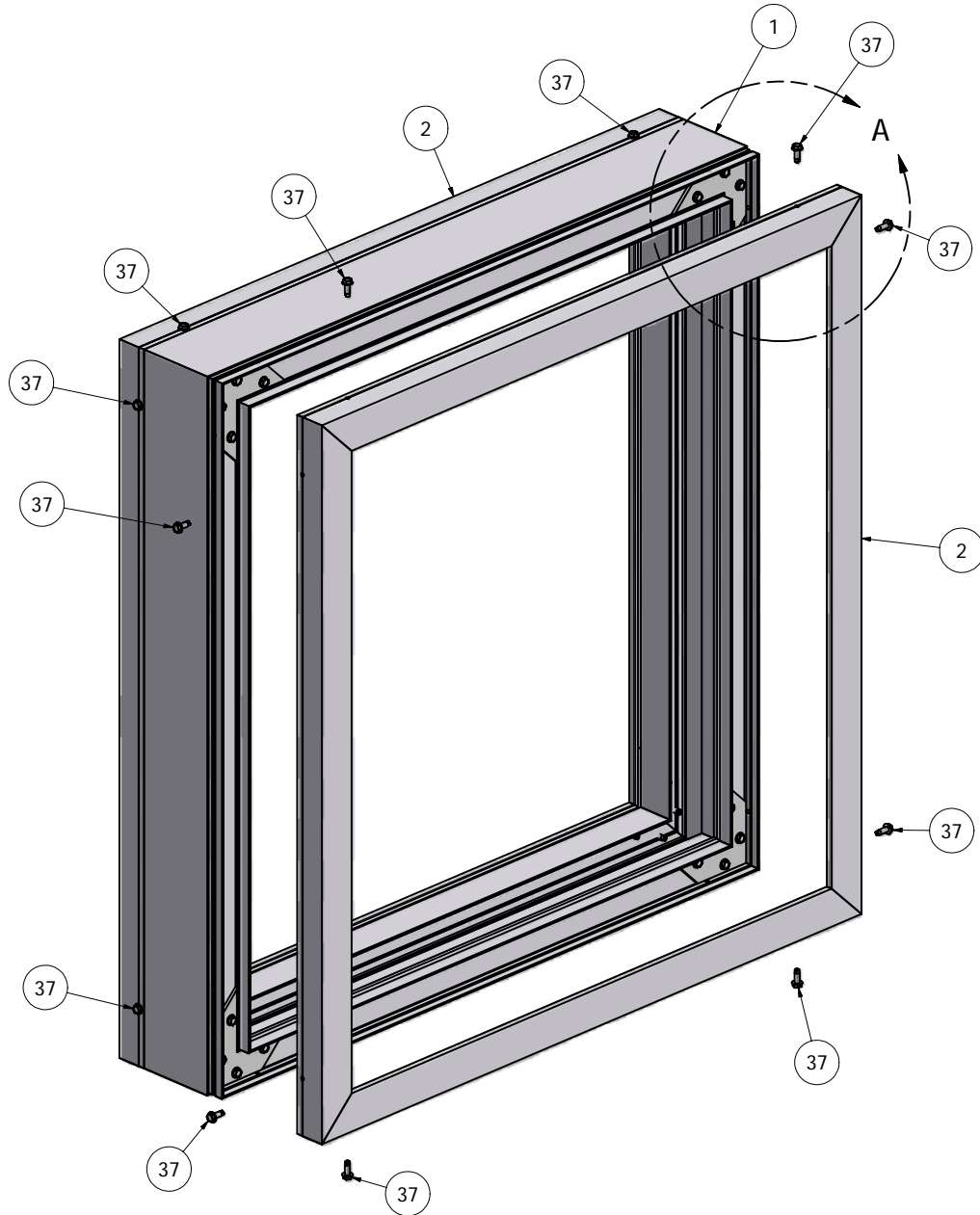


Parts List			
ITEM	PART #	DESCRIPTION	NOTES
1	K2036	Medium Double Filler	Assembly
2	K2056	Econo Molding	Assembly
37	5217	Econo Molding Screw	Self Drilling/Tapping

Ship To:  
Order Number:



DETAIL A

**NOTE: PRE-CUT KITS ARE NOT PRE-DRILLED.**

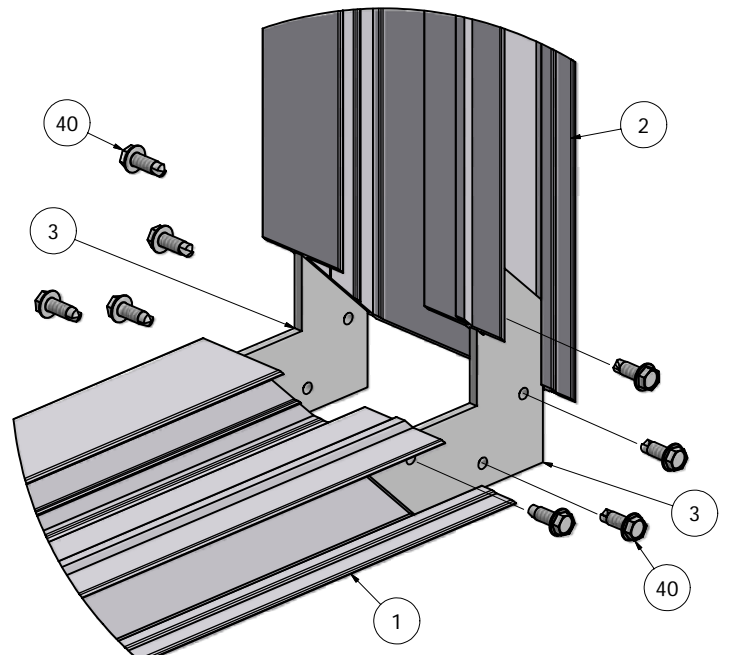
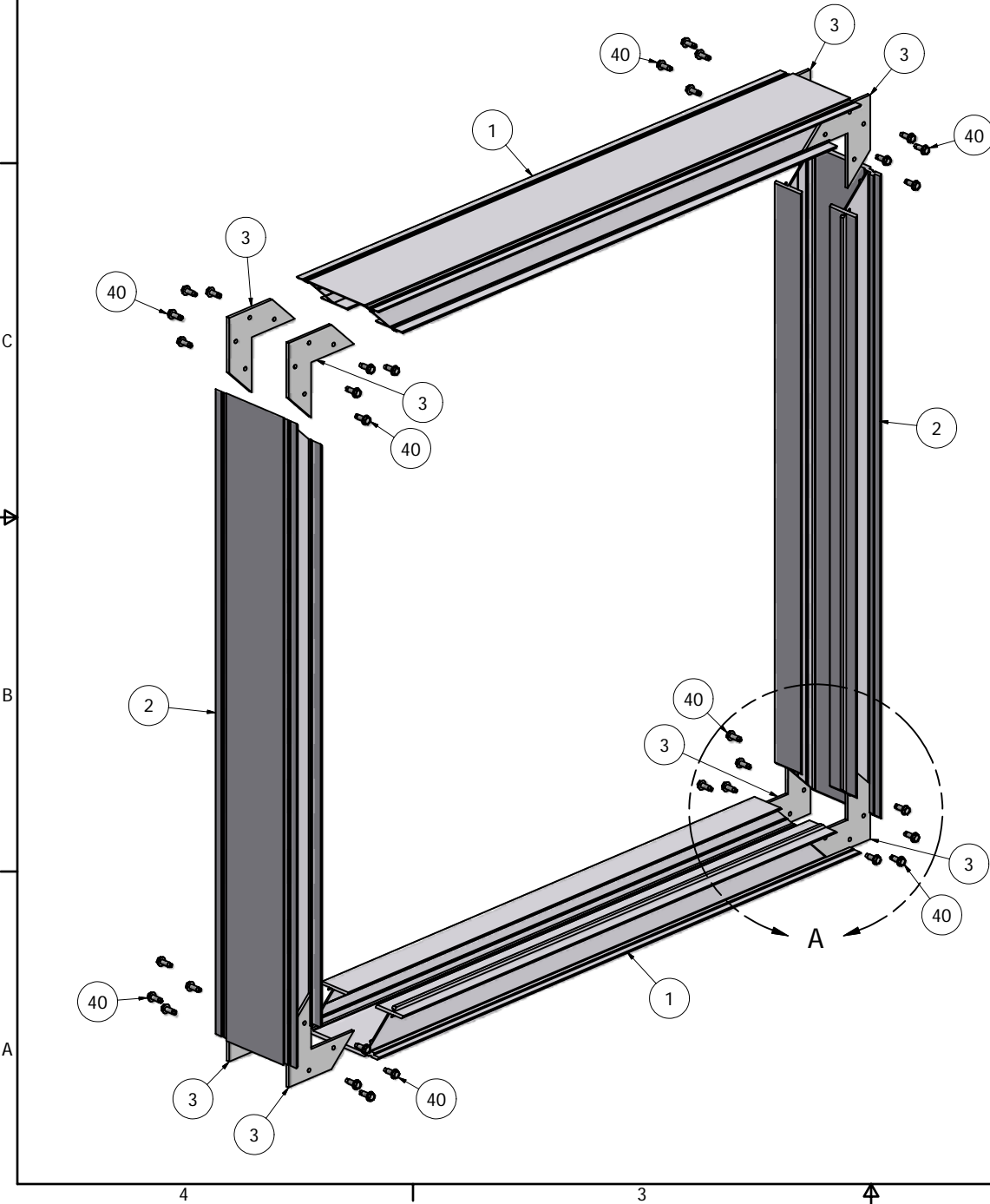
(Holes shown in this drawing are for reference only.  
Drilling of pilot holes are to be done by fabricator.)

THIS DRAWING WAS CREATED AT NO CHARGE TO ASSIST YOU IN VISUALIZING OUR PROPOSAL. THE DRAWING HEREIN IS THE PROPERTY OF SIGNCOMP. PERMISSION TO COPY OR REVISE THIS DRAWING OR TO USE THIS DRAWING FOR PRODUCTION IS STRICTLY PROHIBITED AND CAN ONLY BE COPIED, REVISED OR USED FOR PRODUCTION WITH THE EXPRESSED WRITTEN PERMISSION OF SIGNCOMP.

DRAWN	12/18/2008	<b>SignComp</b>		
Steve				
CHECKED				
QA				
MFG				
APPROVED		TITLE Medium Double Filler with Econo Molding - Assembly		
		SIZE	DWG NO	REV
		C	K2036/56	
		SCALE	SHEET 1 OF 1	

Parts List			
ITEM	PART #	DESCRIPTION	NOTES
1	2036	Medium Double Filler	Top & Bottom
2	2036	Medium Double Filler	Sides
3	5210	Corner Key	Pre-Punched
40	5217	Corner Key Screw	Self Drilling/Tapping

Ship To:  
Order Number:



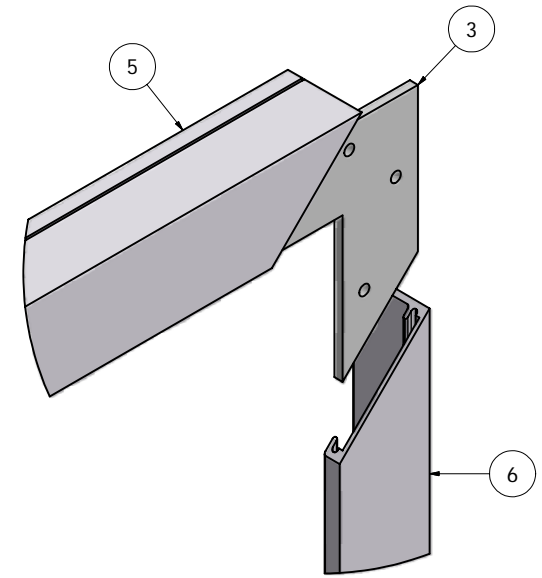
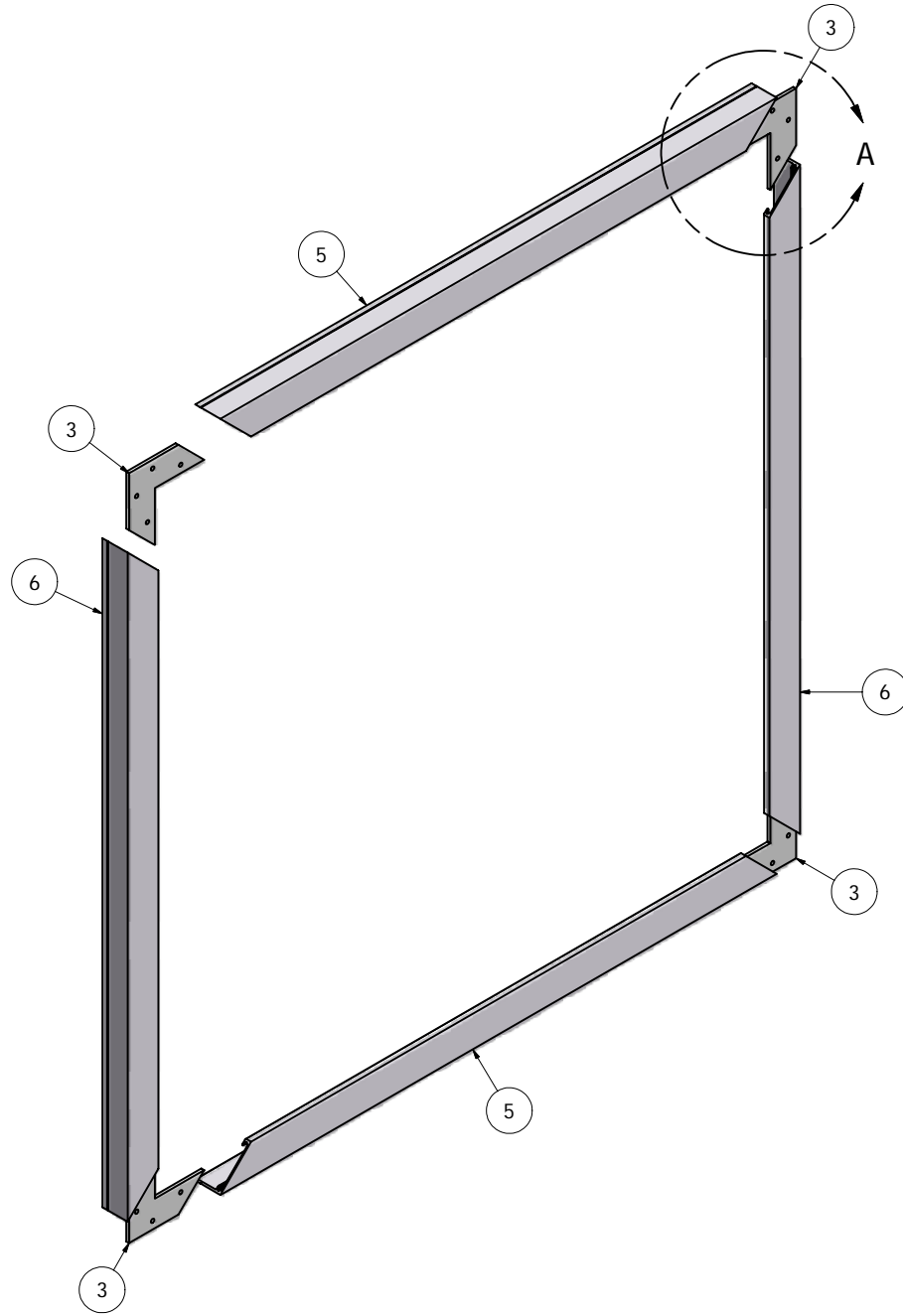
DETAIL A

**NOTE: PRE-CUT KITS ARE NOT PRE-DRILLED.**  
(Holes shown in this drawing are for reference only.  
Drilling of pilot holes are to be done by fabricator.)

THIS DRAWING WAS CREATED AT NO CHARGE TO ASSIST YOU IN VISUALIZING OUR PROPOSAL. THE DRAWING HEREIN IS THE PROPERTY OF SIGNCOMP. PERMISSION TO COPY OR REVISE THIS DRAWING OR TO USE THIS DRAWING FOR PRODUCTION IS STRICTLY PROHIBITED AND CAN ONLY BE COPIED, REVISED OR USED FOR PRODUCTION WITH THE EXPRESSED WRITTEN PERMISSION OF SIGNCOMP.				
DRAWN Steve	12/18/2008	<h1 style="margin: 0;">SignComp</h1> <p style="margin: 0;">Medium Double Face Filler - Assembly</p>		
CHECKED				
QA				
MFG				
APPROVED				
		SIZE C	DWG NO K2036	REV
		SCALE	SHEET 1 OF 1	

Parts List			
ITEM	PART #	DESCRIPTION	NOTES
3	5210	Corner Key	Pre-punched
5	2056	Econo Molding	Top & Bottom
6	2056	Econo Molding	Sides

Ship To:  
Order Number:



DETAIL A

**NOTE: PRE-CUT KITS ARE NOT PRE-DRILLED.**

(Holes shown in this drawing are for reference only.  
Drilling of pilot holes are to be done by fabricator.)

THIS DRAWING WAS CREATED AT NO CHARGE TO ASSIST YOU IN VISUALIZING OUR PROPOSAL. THE DRAWING HEREIN IS THE PROPERTY OF SIGNCOMP. PERMISSION TO COPY OR REVISE THIS DRAWING OR TO USE THIS DRAWING FOR PRODUCTION IS STRICTLY PROHIBITED AND CAN ONLY BE COPIED, REVISED OR USED FOR PRODUCTION WITH THE EXPRESSED WRITTEN PERMISSION OF SIGNCOMP.

DRAWN	12/17/2008	<h1>SignComp</h1> <p>Econo Molding - Assembly</p>		
CHECKED				
QA				
MFG				
APPROVED				
		SIZE	DWG NO	REV
		C	K2056	
		SCALE	SHEET 1 OF 1	