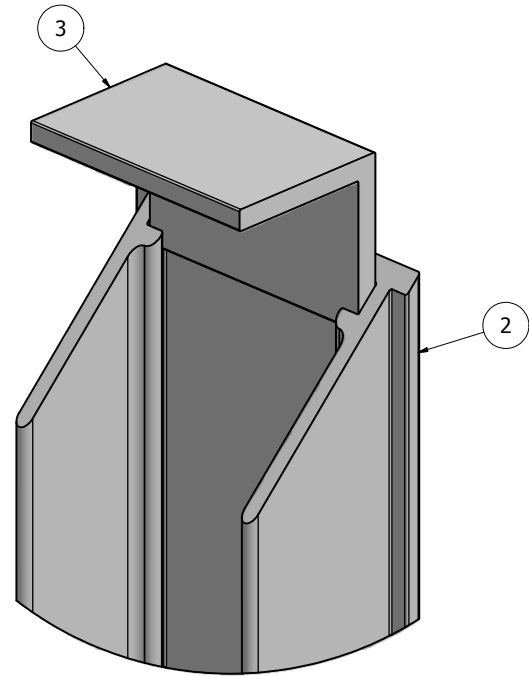
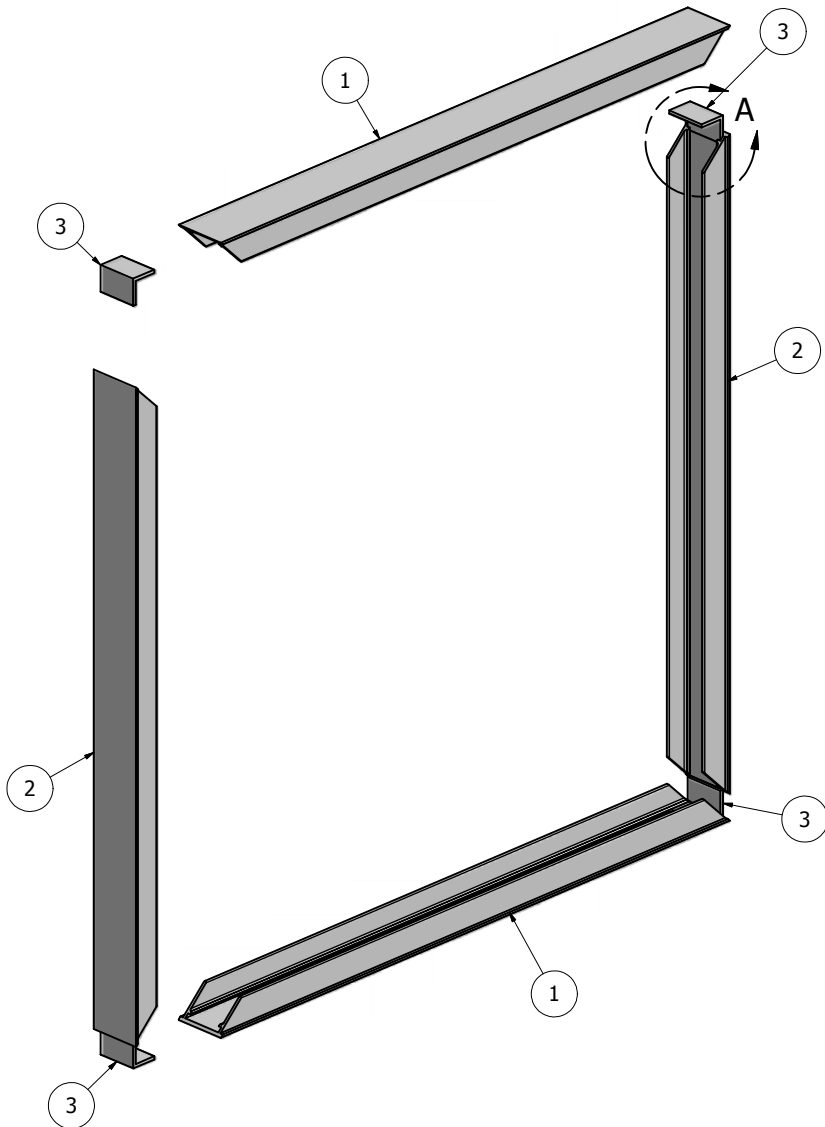


Parts List			
ITEM	PART #	DESCRIPTION	NOTES
1	1120	Series 2, 2" Bleed Body	Top & Bottom
2	1120	Series 2, 2" Bleed Body	Sides
3	5331	Series 2 Bleed Body Corner Angle	



DETAIL A

**NOTE: PRE-CUT KITS ARE NOT PRE-DRILLED.**  
 (Holes shown in this drawing are for reference only.  
 Drilling of pilot holes are to be done by fabricator.)

THIS DRAWING WAS CREATED AT NO CHARGE TO ASSIST YOU IN VISUALIZING OUR PROPOSAL. THE DRAWING HEREIN IS THE PROPERTY OF SIGNCOMP. PERMISSION TO COPY OR REVISE THIS DRAWING OR TO USE THIS DRAWING FOR PRODUCTION IS STRICTLY PROHIBITED AND CAN ONLY BE COPIED, REVISED OR USED FOR PRODUCTION WITH THE EXPRESSED WRITTEN PERMISSION OF SIGNCOMP.

DRAWN	1/21/2010	<h1>SignComp</h1> <p>Series 2 Bleed Body Assembly</p>	
CHECKED			
QA			
MFG			
APPROVED			
	SIZE	DWG NO	REV
	C	K1120	
	SCALE	SHEET 1 OF 1	

Ship To:  
 Order #: