

CUSTOMER SignComp Extrusions PROGRAM Commercial  
DESCRIPTION SC20-RB-45

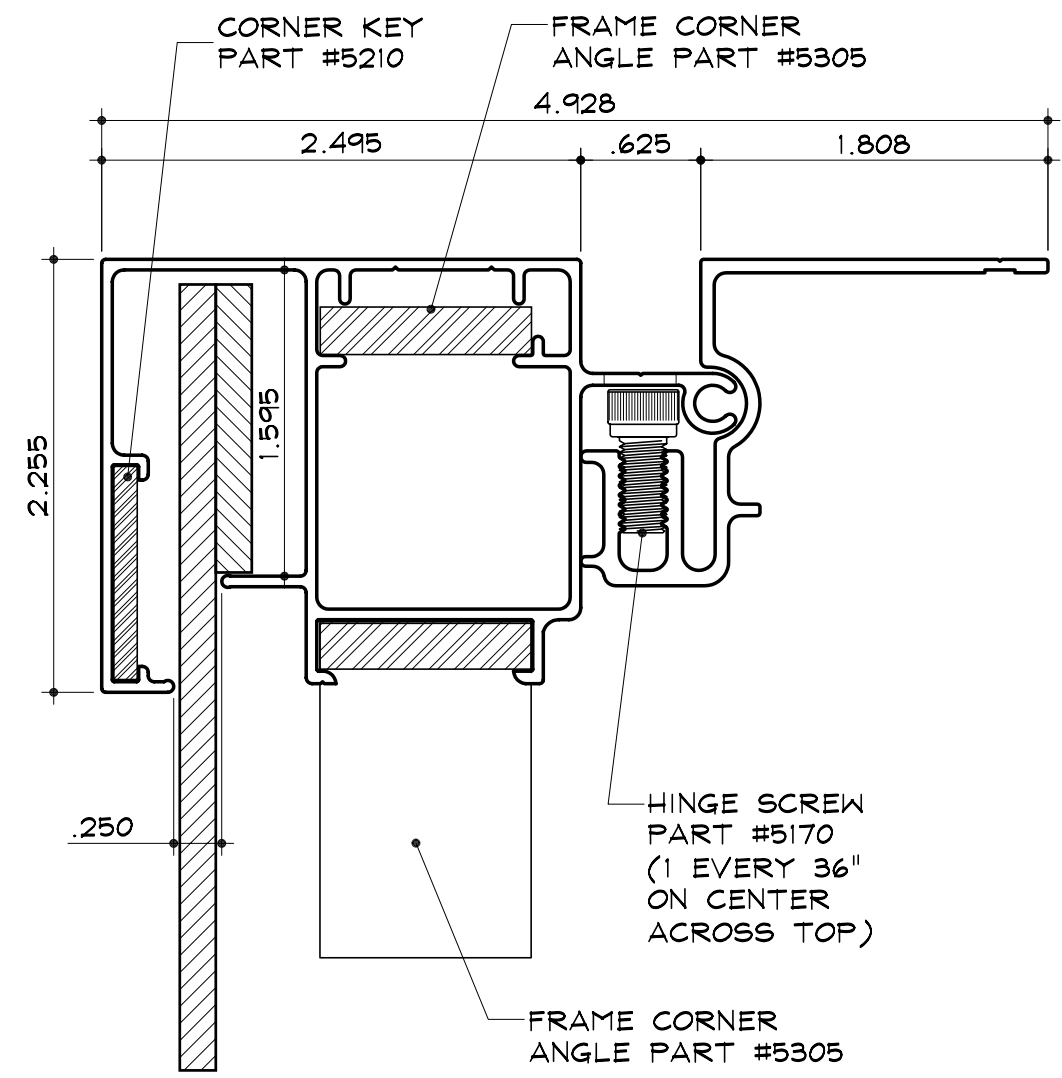
DATE 12/11/01 BY Steve  
SHT 1 OF 1

DWG NO.

SC-20 for Rigid Faces

Retro Body  
Part #2040

2/4" Retainer  
Part #2045



SECTION DETAIL  
SCALE : 1" = 1"