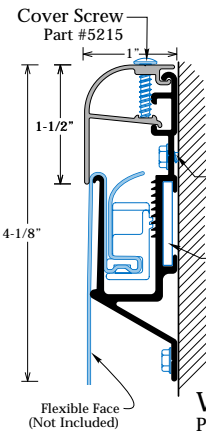


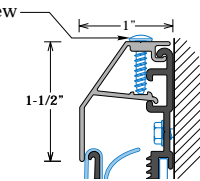
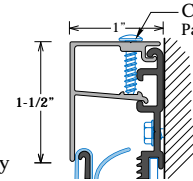


## Wall Mount Tension Frame (Mill Finish)



**Wall Mount Tension Square Cover**  
Part #2088

**Wall Mount Tension Beveled Cover**  
Part #2091



**Wall Mount Tension Frame with Radius Cover**  
Part #2090

- For flexible fabric or banner material signs.
- Easily installed and replaced.

**Kit Includes:**

- Four (4) pieces of cut to size and mitered Wall Mount Tension Frame.
- Four (4) pieces of cut to size and mitered Wall Mount Tension Frame Cover.
- Four (4) Corner Keys.
- Cover Screws.
- Tension Clips.

**Not Included:**

- Mounting hardware.
- Flexible fabric.
- Reverse Wall Mount Tension Tool, Part #5138 or Wall Mount Tension Tool, Part #5137

Price per Kit		
H' x W'	List	
4 x 8	\$254	
4 x 10	296	
5 x 8	275	
5 x 10	316	
6 x 8	296	
6 x 10	337	
7 x 8	316	
7 x 10	358	
8 x 10	379	
8 x 15	485	
9 x 10	401	
9 x 15	506	
10 x 10	422	
10 x 15	527	
10 x 20	632	

Additional Sizes and Full Lengths Available

## Edge Lit LED Extrusions (Mill Finish)

Discounts available for multiple kit orders.



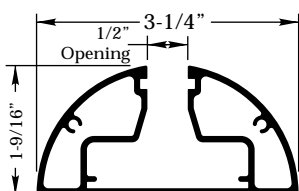
**Kit Includes:**

- One (1) piece of cut to size Edge Lit LED 1/2 Round or 1/4 Round Extrusion.
- Two (2) End Caps.
- Four (4) #6 x 3/8" counter sunk sq/phillips head screws.
- 3/32" x 5/8" spring pins.

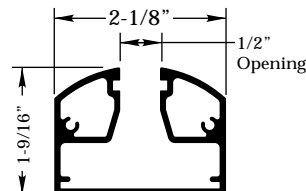
**Not Included:**

- .040 aluminum LED mounting strip.
- Clear plastic material.
- LED's
- Power Supply

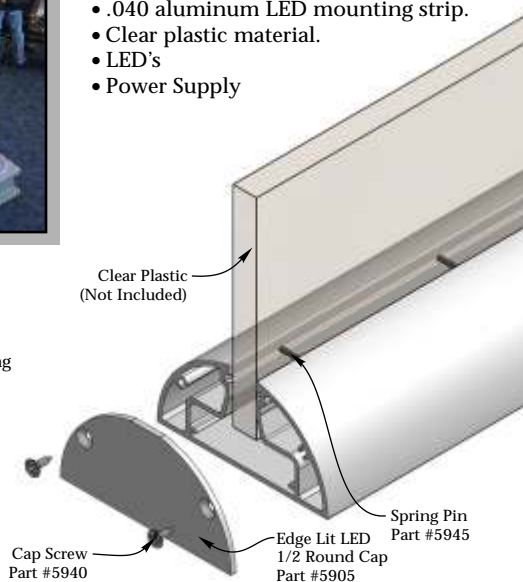
Price per Kit		
Length"	1/2 Round List	1/4 Round List
12	\$61	
15	62	
18	63	
24	64	
30	67	
36	69	
42	70	
48	72	



**Edge Lit LED 1/2 Round**  
Part #1995



**Edge Lit LED 1/4 Round**  
Part #1996



Length"	1/4 Round List
12	\$58
15	61
18	62
24	63
30	64
36	67
42	68
48	70

Additional Sizes and Full Lengths Available



## Post & Panels (Powder Coat Finish)

### RTS - Post & Panel System



Flagmount

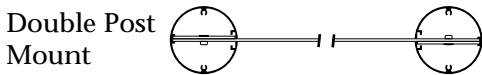
Double Post Mount  
(2 Post Kits Required)



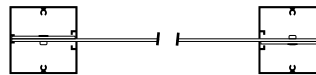
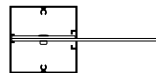
Double Post Mount (3-1/4" Square Post shown)  
(2 Post Kits Required)

*Note: All mounting provisions to be provided by fabricator.*

#### 3-1/4" Round Post



#### 3-1/4" Square Post



Available in powder coated gloss white and gloss black finishes, 96" and 144" posts.  
Each 96" and 144" RTS Post Kit includes:

- 48" slot to accommodate up to a 48" high, 1/8" or 3mm panel.
- One (1) adjustable, 48" Post Filler to accommodate a panel less than 48" high.
- One (1) 1/8" Post Cap with two (2) countersunk cap screws.
- One (1) adjustable 96" Panel Trim for 1/8" or 3mm hollow core panel material.
- Two (2) 6" Locking Strips.
- One (1) 96" or 144" powder coated gloss white or gloss black RTS Post.

*NOTE: Face material not included.*

List Price Per Single Post Kit (2 post kits required for double post mount)

### Price per Post Kit

#### Square Post

96" Post

Part #RTS-1015-8' WHT

Part #RTS-1015-8' BLK

\$116.71 each

144" Post

Part #RTS-1015-12' WHT

Part #RTS-1015-12' BLK

\$167.92 each

#### Round Post

96" Post

Part #RTS-1017-8' WHT

Part #RTS-1017-8' BLK

\$107.19 each

144" Post

Part #RTS-1017-12' WHT

Part #RTS-1017-12' BLK

\$153.63 each

### Price per Finial

#### Ball Finial

Ball Finial with Square Cap  
(Cap Screws and Threaded Insert Included)

Part #RTS-5700F WHT

Part #RTS-5700F BLK

\$37.76 each

Ball Finial with Round Cap  
(Cap Screws and Threaded Insert Included)

Part #RTS-5701F WHT

Part #RTS-5701F BLK

\$37.76 each

*NOTE: Caps are slightly oversized.*

### Optional Accessories



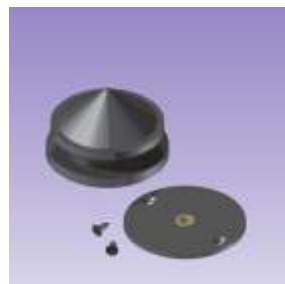
Ball Finial Kit  
w/Square Cap

White - Part #RTS-5700F WHT  
Black - Part #RTS-5700F BLK



Ball Finial Kit  
w/Round Cap

White - Part #RTS-5701F WHT  
Black - Part #RTS-5701F BLK



Tapered Ring Finial Kit  
w/Round Cap

White - Part #RTS-5703F WHT  
Black - Part #RTS-5703F BLK



Tapered Ring Finial Kit  
w/Square Cap

White - Part #RTS-5702F WHT  
Black - Part #RTS-5702F BLK

#### Tapered Ring Finial

Tapered Ring Finial  
with Square Cap  
(Cap Screws and Threaded Insert Included)

Part #RTS-5702F WHT

Part #RTS-5702F BLK

\$37.76 each

Tapered Ring Finial  
with Round Cap  
(Cap Screws and Threaded Insert Included)

Part #RTS-5703F WHT

Part #RTS-5703F BLK

\$37.76 each

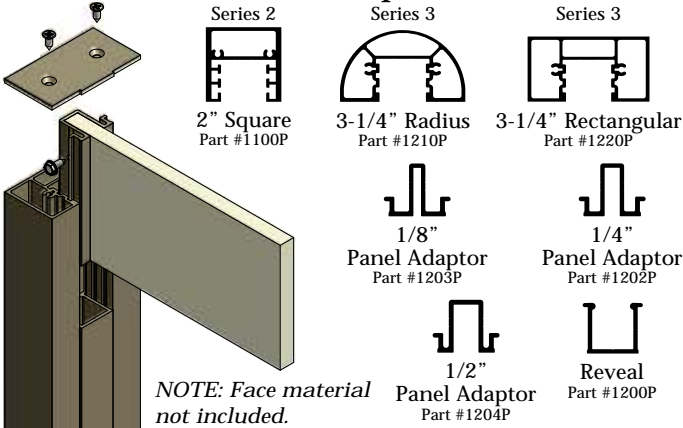
*NOTE: Caps are slightly oversized.*

Finial Kit Includes: Finial with 1/4" threaded stud, Cap with 1/4" threaded insert and two (2) Cap Screws.



## Post & Panels (Pre-painted)

### Series 2/3 Panel Adaptors



NOTE: Face material not included.

#### Features & Benefits:

- Pre-painted dark bronze exterior finish.
- Simple to assemble.
- The 1/8", 1/4" and 1/2" Panel Adaptor can be used with any rigid or solid core composite 1/8", 1/4" or 1/2" sheet stock.

#### Panel Adaptor Kit Includes:

- Two (2) 95-5/8" cut to size posts.
  - Two (2) slightly oversized caps with screws.
  - Full Panel Adaptor or cut to size Panel Adaptor with Series 2/3 Reveal "below the panel filler" included.
  - Screws for panel assembly.
- NOTE: The "below the panel filler" is cut to fit 6" below grade.

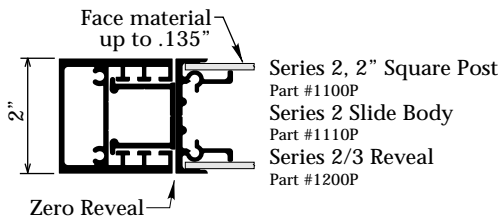
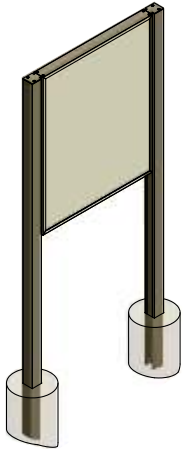
#### Price per Kit

Series 2, 2" Square Post  
Two (2) 95-5/8" posts & caps - \$248.00  
For 9', 10', & 11' post lengths - Add \$18.00 per ft. per post  
Two (2) 143-5/8" posts & caps - \$359.00

Series 3, 3-1/4" Posts Radius & Rectangular

Two (2) 95-5/8" posts & caps - \$268.00  
For 9', 10', & 11' post lengths - Add \$20.00 per ft. per post  
Two (2) 143-5/8" posts & caps - \$393.00

### Series 2



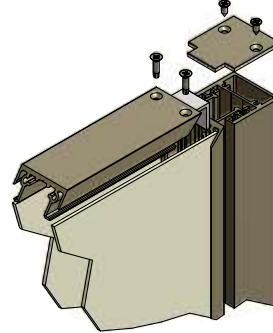
#### Series 2 Kit Includes:

- Two (2) 95-5/8" Series 2, 2" Square Posts.
- Two (2) slightly oversized caps with screws.
- Four (4) pieces cut to size and mitered Series 2 Slide Body.
- Two (2) pieces cut to size Series 2/3 Reveal and "below the panel filler".
- All hardware required for assembly.

NOTE: Face material not included.

#### Features & Benefits:

- Pre-painted dark bronze exterior finish.
- Simple to assemble.
- Series 2/3 Reveal can be set in the zero, 3/8" or 3/4" position.



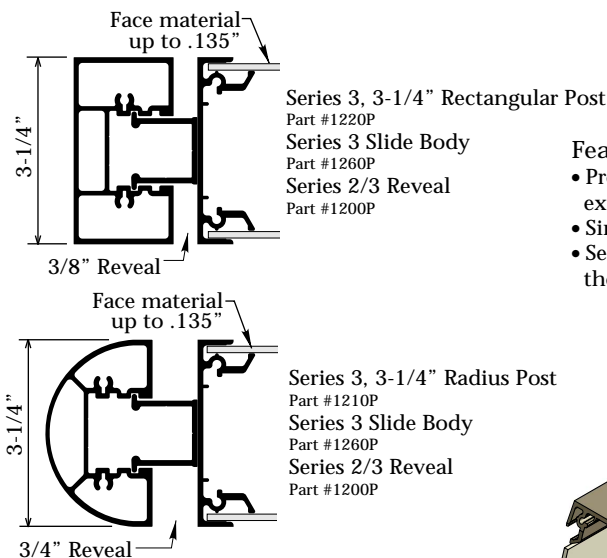
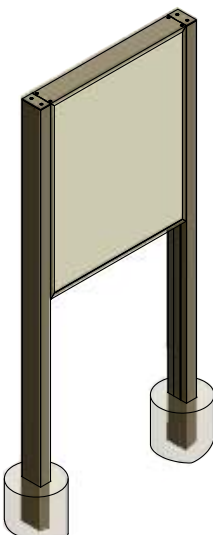
#### Price per Kit

##### Series 2

H" x W"	List
12 x 24	\$322
24 x 24	336
24 x 36	349
36 x 36	358
36 x 48	372
36 x 60	384
36 x 72	395
48 x 48	384
48 x 60	395
48 x 72	407

Additional Sizes and Full Lengths Available

### Series 3

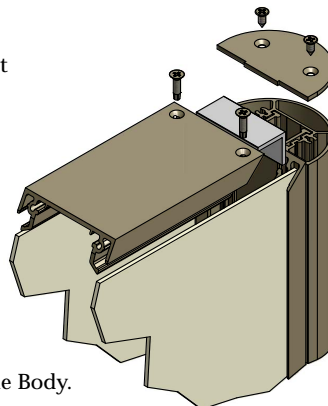


#### Series 3 Kit Includes:

- Two (2) 95-5/8" Series 3, 3-1/4" Rectangular or Radius Posts.
- Two (2) slightly oversized caps with screws.
- Four (4) pieces cut to size and mitered Series 3 Slide Body.
- Two (2) pieces cut to size Series 2/3 Reveal and "below the panel filler".

#### Features & Benefits:

- Pre-painted dark bronze exterior finish.
- Simple to assemble.
- Series 2/3 Reveal can be set in the zero, 3/8" or 3/4" position.



NOTE: Face material not included.

#### Price per Kit

##### Series 3

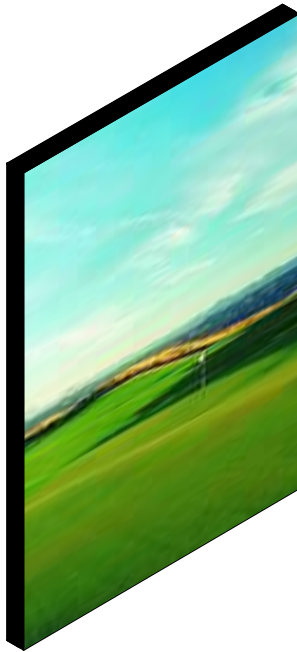
H" x W"	List
24 x 24	\$400
24 x 36	419
24 x 48	437
36 x 36	437
36 x 48	453
36 x 60	470
36 x 72	487
48 x 48	470
48 x 60	487
48 x 72	505

Additional Sizes and Full Lengths Available

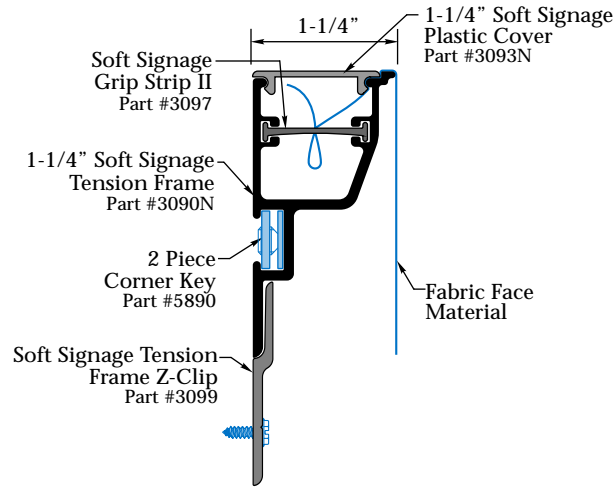




## Soft Signage Tensioning System



### 1-1/4" Soft Signage Tensioning System



#### Price per Kit

H" x W"	List
12 x 24	\$69
24 x 24	84
24 x 36	98
24 x 48	113
36 x 36	113
36 x 48	127
36 x 60	142
48 x 48	142
48 x 60	157
48 x 72	171
60 x 60	171
60 x 72	186
60 x 84	200

Additional Sizes and Full Lengths Available

### Features & Benefits

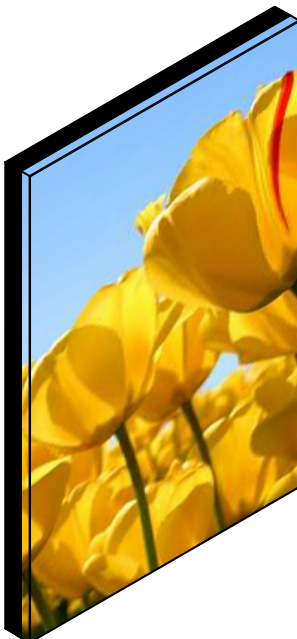
- Fast, easy frame assembly.
- No sewing or silicone beads required.
- Easy snap on and off cover.
- No painting required.
- Light weight frame - single and double face.
- Full bleed face.
- Fabric does not need to be cut to exact size.

#### Kit Includes:

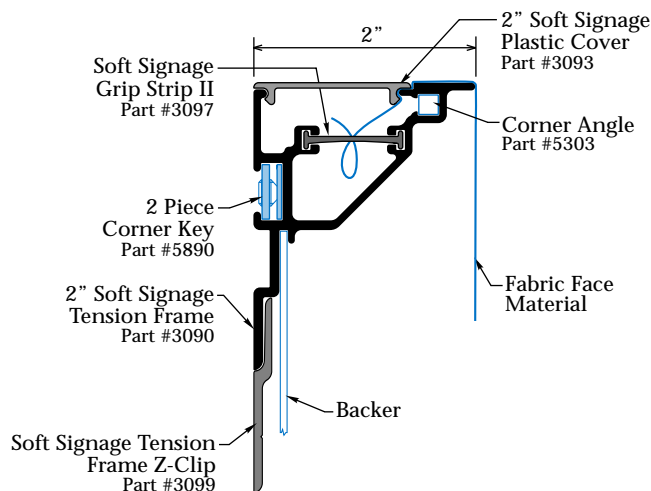
- Four (4) pieces cut to size and mitered Soft Signage Tension Frame.
- Four (4) pieces cut to size and mitered Soft Signage Plastic Cover.
- Four (4) pieces cut to size Soft Signage Grip Strip II.
- Four (4) 2 Piece Corner Keys.

#### Not Included:

- Face material.
- Mounting hardware.
- Backer.
- Soft Signage Tension Frame Z-Clip.



### 2" Soft Signage Tensioning System



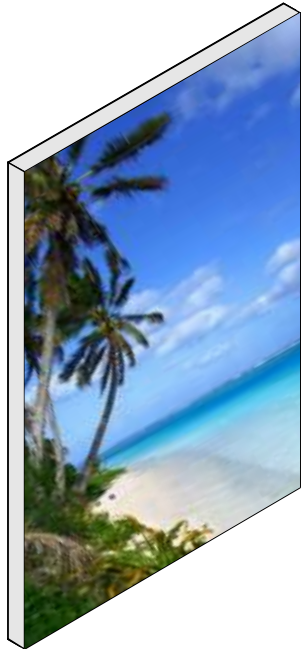
#### Price per Kit

H" x W"	List
12 x 24	\$80
24 x 24	98
24 x 36	115
24 x 48	133
36 x 36	133
36 x 48	150
36 x 60	168
48 x 48	168
48 x 60	185
48 x 72	203
60 x 60	203
60 x 72	220
60 x 84	238

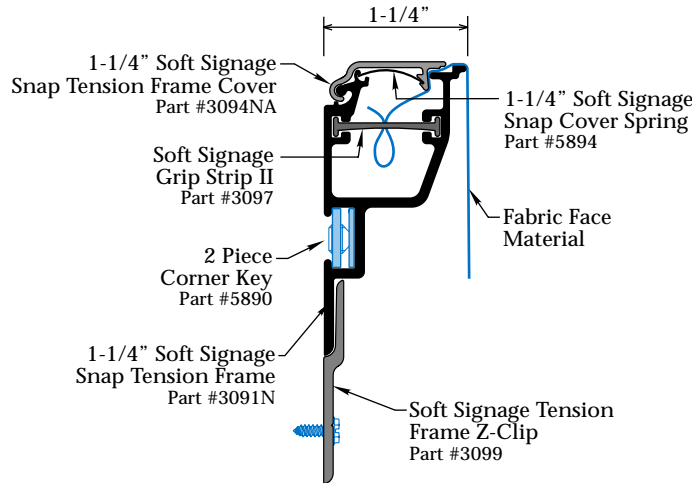
Additional Sizes and Full Lengths Available



## Soft Signage Tensioning System



### 1-1/4" Soft Signage Snap Tensioning System



#### Price per Kit

H" x W"	List
12 x 24	\$82
24 x 24	96
24 x 36	110
24 x 48	125
36 x 36	125
36 x 48	139
36 x 60	154
48 x 48	154
48 x 60	168
48 x 72	182
60 x 60	182
60 x 72	197
60 x 84	211

Covers also available in Mill finish

Additional Sizes and Full Lengths Available

### Features & Benefits

- Fast, easy frame assembly.
- No sewing or silicone beads required.
- Snap Cover is available in mill finish or clear anodized.
- Light weight frame - single and double face.
- Full bleed face.
- Fabric does not need to be cut to exact size.

#### Kit Includes:

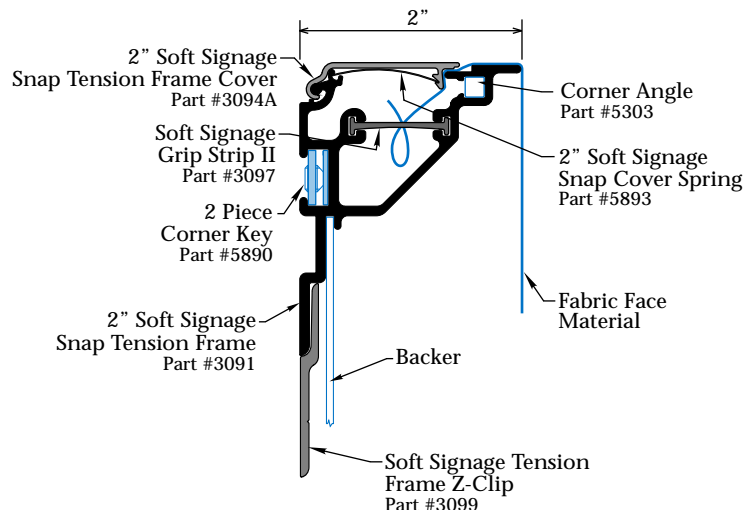
- Four (4) pieces cut to size and mitered Soft Signage Snap Tension Frame.
- Four (4) pieces cut to size and mitered Soft Signage Snap Cover. (Clear Anodized)
- Four (4) pieces cut to size Soft Signage Grip Strip II.
- Four (4) 2 Piece Corner Keys.
- All Cover Springs required for assembly.

#### Not Included:

- Face material.
- Mounting hardware.
- Backer.
- Soft Signage Tension Frame Z-Clip.



### 2" Soft Signage Snap Tensioning System



#### Price per Kit

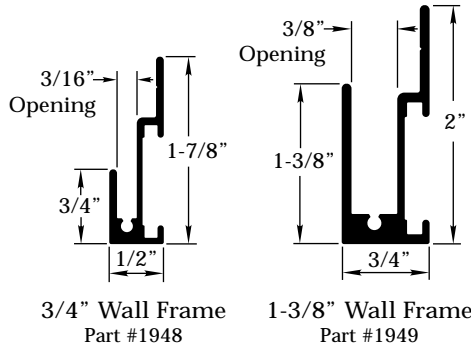
H" x W"	List
12 x 24	\$89
24 x 24	105
24 x 36	121
24 x 48	137
36 x 36	137
36 x 48	153
36 x 60	169
48 x 48	169
48 x 60	185
48 x 72	201
60 x 60	201
60 x 72	217
60 x 84	233

Covers also available in Mill finish

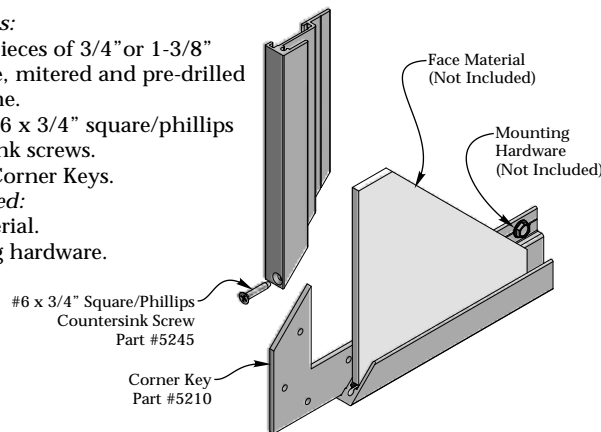
Additional Sizes and Full Lengths Available



## Wall Frames (Clear Anodized)



- Kit Includes:**
- Four (4) pieces of 3/4" or 1-3/8" cut to size, mitered and pre-drilled Wall Frame.
  - Four (4) #6 x 3/4" square/phillips countersink screws.
  - Four (4) Corner Keys.
- Not Included:**
- Face material.
  - Mounting hardware.



NOTE: Both vertical sides are pre-drilled and countersunk for the assembly fasteners.

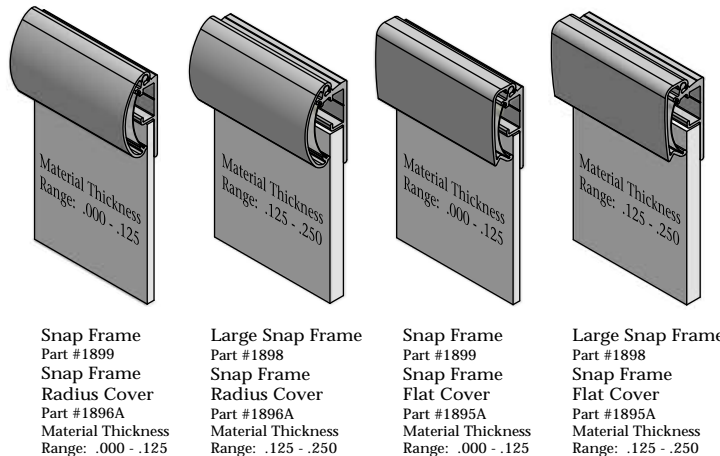
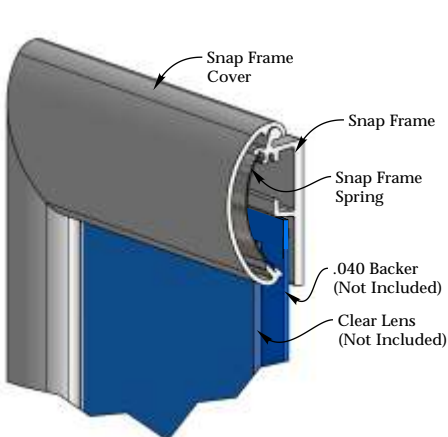
Price per Kit		
<b>3/4" Wall Frame</b>		
H" x W"	List	
12 x 12	\$33	
12 x 24	36	
24 x 24	38	
24 x 36	53	
36 x 36	55	
36 x 48	63	
48 x 48	71	
48 x 60	80	
60 x 60	87	
60 x 72	97	
<b>1-3/8" Wall Frame</b>		
H" x W"	List	
12 x 12	\$35	
12 x 24	41	
24 x 24	53	
24 x 36	58	
36 x 36	66	
36 x 48	76	
48 x 48	86	
48 x 60	98	
60 x 60	107	
60 x 72	118	
Additional Sizes and Full Lengths Available		

## Snap Frames (Clear Anodized)

Discounts available for multiple kit orders.



- Kit Includes:**
- Four (4) pieces of cut to size and mitered Snap Frame.
  - Four (4) pieces of cut to size and mitered Snap Frame Cover (Clear Anodized).
  - Four (4) 2 Piece Corner Keys.
  - Snap Frame Springs.
- Not Included:**
- .040 Backer.
  - Clear Lens.



Price per Kit		
H" x W"	List	
12 x 12	\$20	
12 x 24	28	
24 x 24	35	
24 x 36	42	
36 x 36	49	
36 x 48	57	
48 x 48	63	
48 x 60	71	
48 x 96	92	
60 x 60	78	
60 x 72	86	
Covers also available in Mill finish		
Additional Sizes and Full Lengths Available		