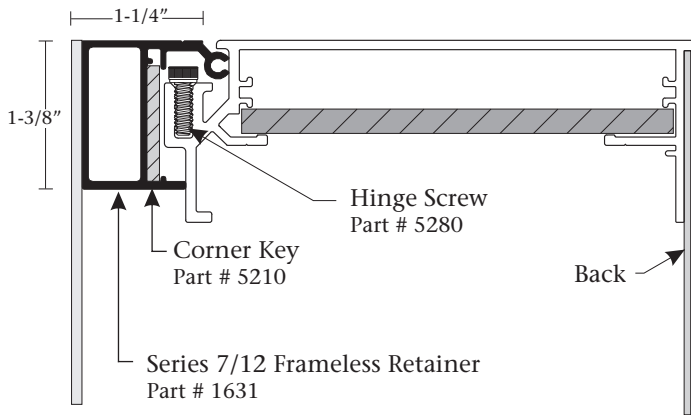




NEW PRODUCT UPDATE: Series 7/12 Frameless Retainer

March 2013

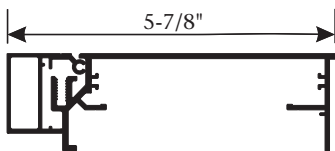
Part Number	Part	Length	Finish
1631	Series 7/12 Frameless Retainer	24'-5"	Mill Finish



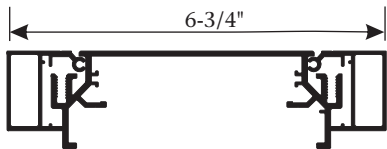
Features & Benefits

- Allows for a true frameless face appearance.
- Large bonding area for aluminum faces.
- Corner key slot provides ease of assembly and added structure.
- Easy access to service lamps.

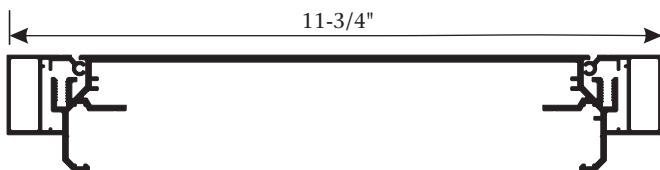
Body Options:



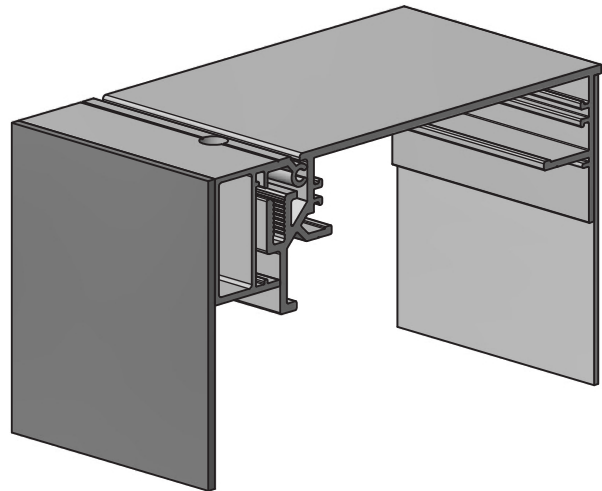
Series 7 SF Hinge Body
Part # 1602



Series 7 Hinge Body
Part # 1592



Series 12 Hinge Body
Part # 1612



Shown with Series 7 SF Hinge Body
Part # 1602