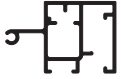


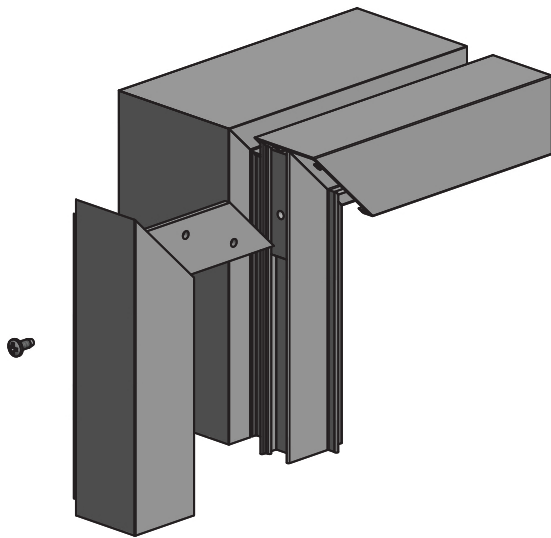
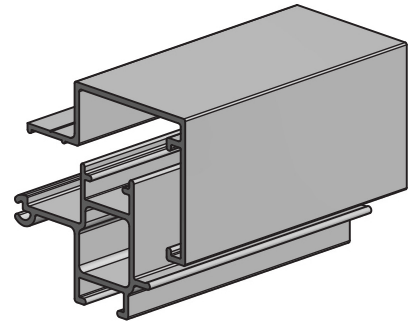
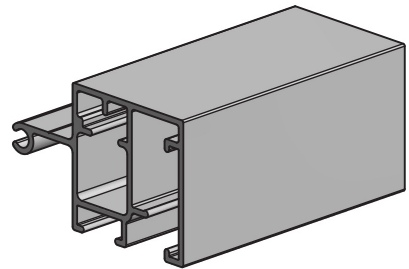
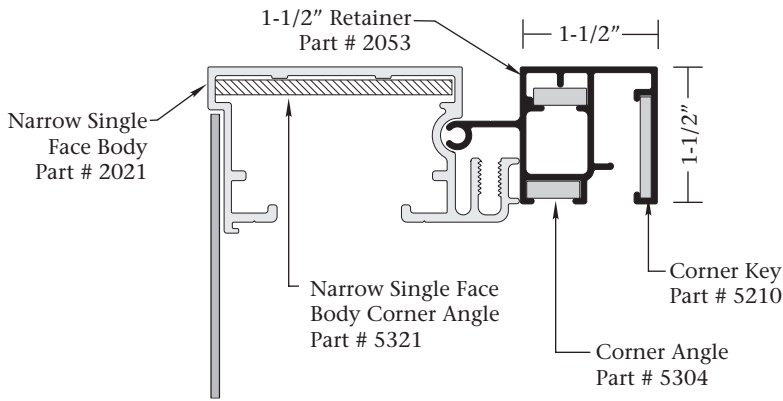




NEW PRODUCT UPDATE: 1-1/2" Retainer System

December 2012

	Part Number	Part	Length	Finish
	2053	1-1/2" Retainer	24'-6"	Mill Finish
	2063	1-1/2" Frame	24'-6"	Mill Finish
	2073	1-1/2" Cover	24'-6"	Mill Finish



Shown with Narrow Single Face Body Part # 2021

Features & Benefits

- New 2 Piece design has a removable cover that allows for the face to slide out of the retainer.
- Can be used with all Commercial Bodies.
- For use with Acrylic and Aluminum faces.
- Divider available. (Part #2133)
- Part #2055 is still available for use with 6" and 9" Radius Corners.