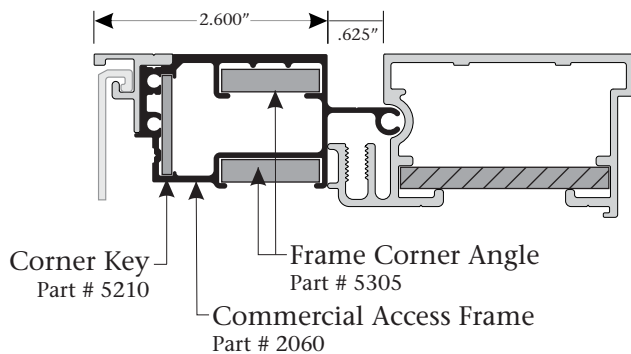
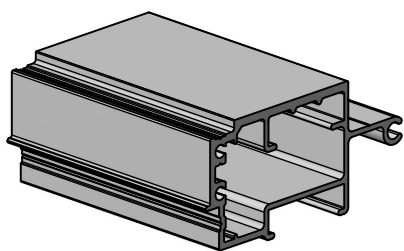
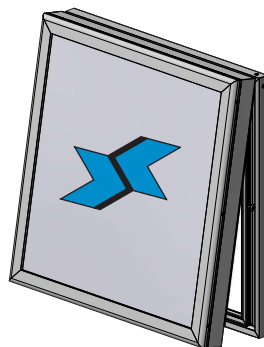


Commercial Access Frame

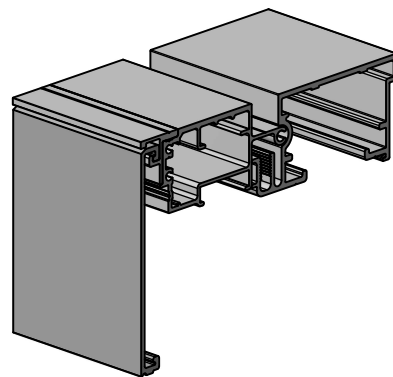
| | Part Number | Part | Length | Finish |
|--|-------------|-------------------------|--------|-------------|
| | 2060 | Commercial Access Frame | 24'-6" | Mill Finish |



- Can be used with all Commercial Bodies with Reveal
- Five (5) cover options
 - Insert** - Removable Panels
 - Framed** - Rigid Plastic Faces
 - Radius** - Rigid Plastic Faces
 - Bleed** - Metal Faces
 - Frameless** - Metal Faces
- Corner key/angle slots provide ease of assembly and added structure
- Allows for a hinged face



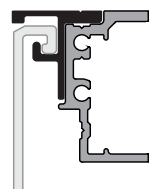
Shown with Radius Cover



Shown with Insert Panel

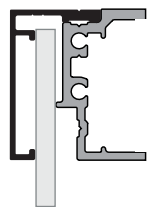
Cover Options:

Insert Top/Bottom Cover
Part #1292



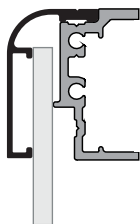
Insert Panel System

Slide Cover
Part #1694



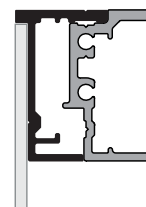
Framed

Radius Slide Cover
Part #1695



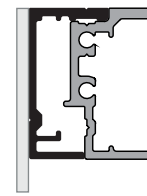
Radius

Bleed Cover
Part #1692



Bleed

Frameless Cover
Part #1693



Frameless