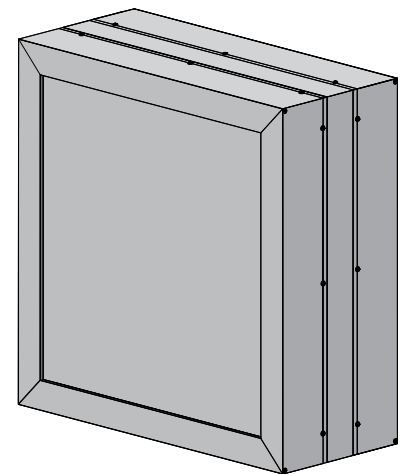


Features & Benefits

The Standard Product Line is engineered for fast, easy assembly. Each kit includes body angles that allow for bonding, welding or mechanical fastening. The body is extruded with large inner body flanges to provide for the attachment of internal structure and the simple attachment of raceway covers. Hanging bar tabs are designed into the retainer to hang the face from, giving the face a flat appearance and assisting in the prevention of the face blowing out. Available in Mill Finish & Dark Quaker Bronze.



Answers to FAQ's

- The cabinet accepts up to 3/16" thick face material
- Face trim size - Deduct 3/8" from the cabinet height & width
- Add 1" to the direction of the lamp to allow or Standard T12 bulbs to fit
- Ideal for LED applications
- 2Part Large Extended Retainer will be pre-drilled and countersunk
- 2Part Large Extended Retainer is not designed to accept a divider

Optional Items

- Socket Raceway