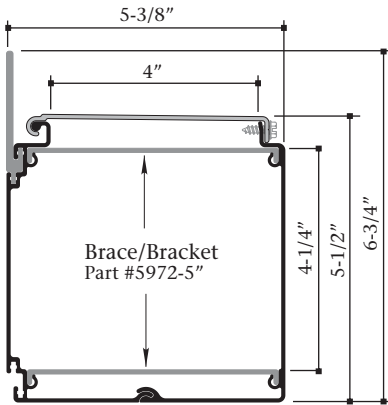




Channel Letter Raceways

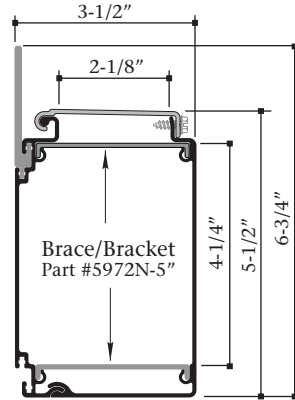
5" Channel Letter Raceway

1971 Front / 1972 Back / 1976 Cover



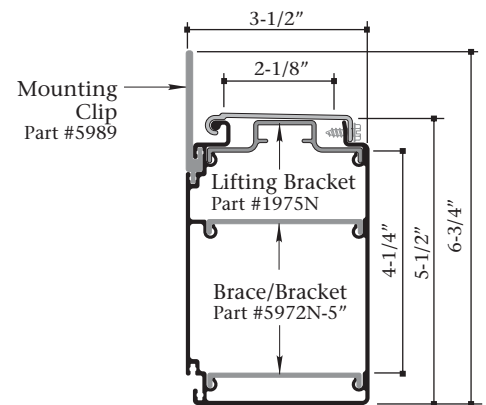
5" Narrow Channel Letter Raceway

1971 Front / 1972N Back / 1976N Cover



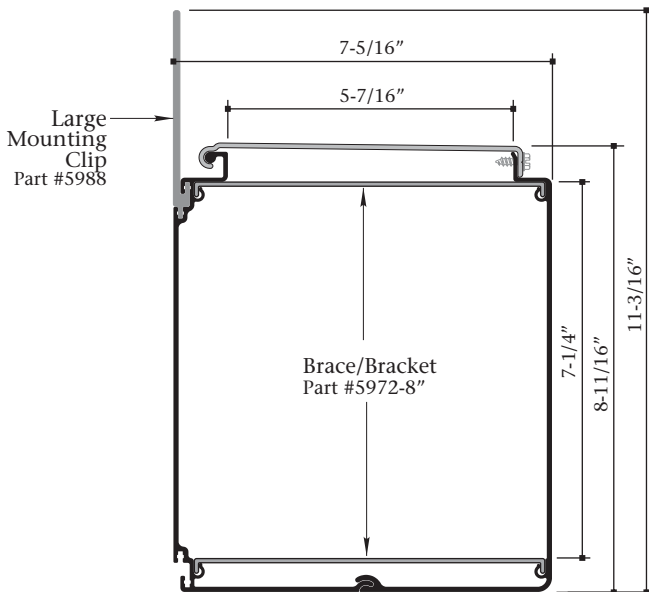
5" 1 PC Channel Letter Raceway

1970N / 1976N Cover



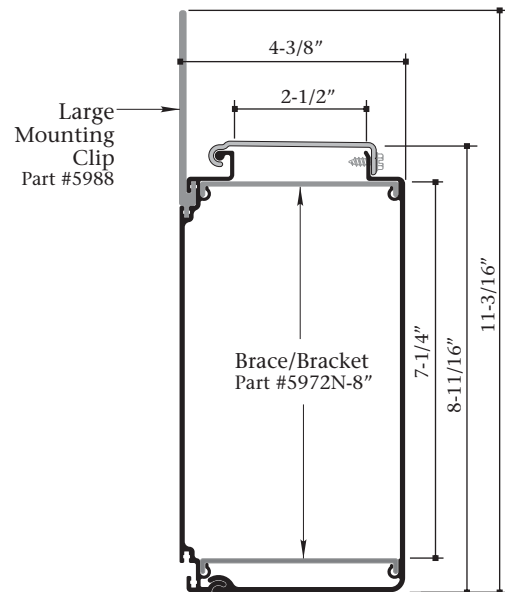
8" Channel Letter Raceway

1981 Front / 1982 Back / 1986 Cover



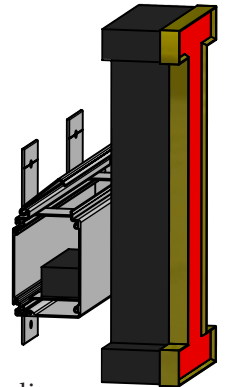
8" Narrow Channel Letter Raceway

1981 Front / 1982N Back / 1986N Cover



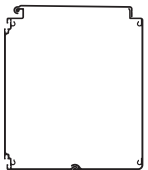
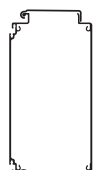
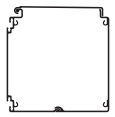
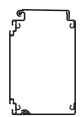
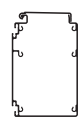
Features & Benefits

- 2 Piece design allows for letter attachment and wiring before final assembly
- Front / Back / Cover can be nested and cut to size with one single cut
- Multi-functional assembly brace / power supply bracket also functions as a joiner plate
- Drops can be easily joined/spliced together
- Slide in mounting clips are available in two sizes
- Interlocking connection channel in the 2 Piece design sits flat - Quickly and easily rolls together for a structural assembly
- Mounting Clips are pre-punched 7/16" to accommodate a 3/8" fastener
- Hingeable Cover for easy access. Sloped and extended for optimum water exclusion
- Intermediate screw boss added to the 1 Piece to accommodate ease of service for LED power supplies





2 Piece Channel Letter Raceway - Bundles

		Part Number	Length
	2 Piece 8" Channel Letter Raceway <ul style="list-style-type: none"> • One (1) 8" Channel Letter Raceway - Front • One (1) 8" Channel Letter Raceway - Back • One (1) 8" Channel Letter Raceway Cover Not Included: Hardware, Brace/Brackets (5972-8"), Mounting Clips (5988 and 5989) or End Caps (5987-8")	B1982	24'-2"
	2 Piece 8" Narrow Channel Letter Raceway <ul style="list-style-type: none"> • One (1) 8" Channel Letter Raceway - Front • One (1) 8" Narrow Channel Letter Raceway - Back • One (1) 8" Narrow Channel Letter Raceway Cover Not Included: Hardware, Brace/Brackets (5972N-8"), Mounting Clips (5988 and 5989) or End Caps (5987N-8")	B1982N	24'-2"
	2 Piece 5" Channel Letter Raceway <ul style="list-style-type: none"> • One (1) 5" Channel Letter Raceway - Front • One (1) 5" Channel Letter Raceway - Back • One (1) 5" Channel Letter Raceway Cover Not Included: Hardware, Brace/Brackets (5972-5"), Mounting Clips (5988 and 5989) or End Caps (5987-5")	B1972	24'-2"
	2 Piece 5" Narrow Channel Letter Raceway <ul style="list-style-type: none"> • One (1) 5" Channel Letter Raceway - Front • One (1) 5" Narrow Channel Letter Raceway - Back • One (1) 5" Narrow Channel Letter Raceway Cover Not Included: Hardware, Brace/Brackets (5972N-5"), Mounting Clips (5988 and 5989) or End Caps (5987N-5")	B1972N	24'-2"
	1 Piece 5" Narrow Channel Letter Raceway <ul style="list-style-type: none"> • One (1) 5" Narrow Channel Letter Raceway • One (1) 5" Narrow Channel Letter Raceway Cover Not Included: Hardware, Brace/Brackets (5972N-5"), Mounting Clips (5988 and 5989) or End Caps (5987N-5")	B1970N	24'-2"

Channel Letter Raceway Splicing

- Cut two 6" Channel Letter Raceway
- Insert into the top and bottom of one section of raceway

- Connect both sections of raceway together by sliding the brace/brackets into the second piece of raceway
- Weld or bond both sides of the top and bottom to secure the splice

