

CURRENT PRICE as of April 1, 2022



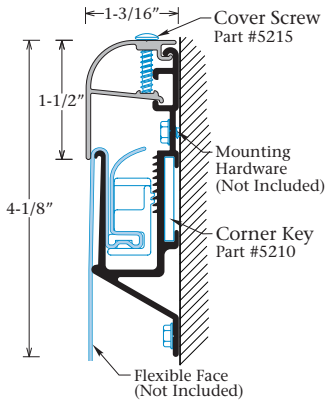
Discounts available for all multiple kit orders

Wall Mount Tension Frame (Mill Finish)



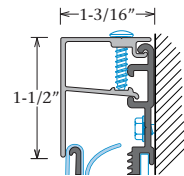
Price per Kit

H' x W'	List
4 x 8	\$395
4 x 10	460
5 x 8	428
5 x 10	491
6 x 8	460
6 x 10	523
7 x 8	491
7 x 10	555
8 x 10	590
8 x 15	753
9 x 10	623
9 x 15	785
10 x 10	655
10 x 15	820
10 x 20	982

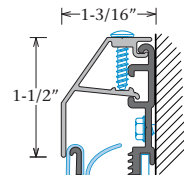


Wall Mount Tension Frame with Radius Cover Part #2090

Wall Mount Tension Square Cover Part #2088



Wall Mount Tension Beveled Cover Part #2091



- For flexible or banner material signs
- Easily installed and replaced

Kit Includes:

- Four (4) pieces of Wall Mount Tension Frame cut to size and mitered
- Four (4) pieces of Wall Mount Tension Frame Cover cut to size and mitered
- Four (4) Corner Keys
- Cover Screws
- Tension Clips

Not Included:

- Mounting hardware
- Face material
- Reverse Wall Mount Tension Tool, Part #5138 or Wall Mount Tension Tool, Part #5137

Additional Sizes and Full Lengths Available

Edge Lit LED Extrusions (Mill Finish)



Kit Includes:

- One (1) piece of Edge Lit LED Extrusion cut to size
- Two (2) End Caps
- Four (4) #6 x 3/8" sq/phillips head countersink screws
- 3/32" x 5/8" spring pins

Not Included:

- .040 aluminum LED mounting strip
- Clear plastic material
- LED's
- Power Supply

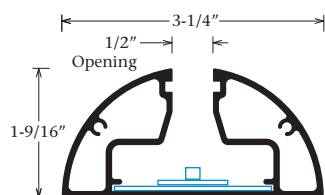
Price per Kit 1/2 Round

Length"	List
12	\$95
15	96
18	98
24	100
30	104
36	107
42	108
48	111

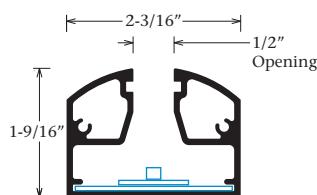
1/4 Round

Length"	List
12	\$90
15	95
18	96
24	98
30	100
36	104
42	106
48	108

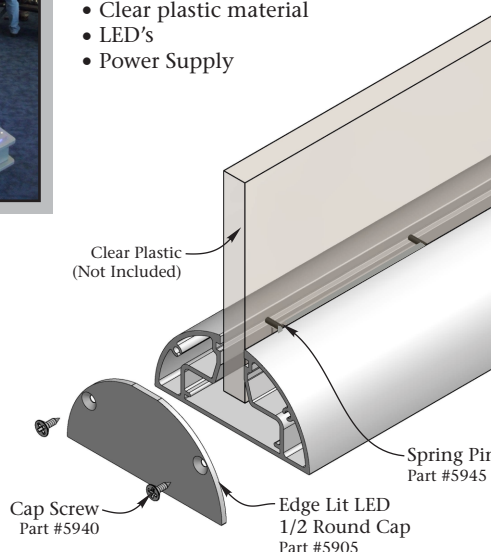
Additional Sizes and Full Lengths Available



Edge Lit LED 1/2 Round Part #1995



Edge Lit LED 1/4 Round Part #1996



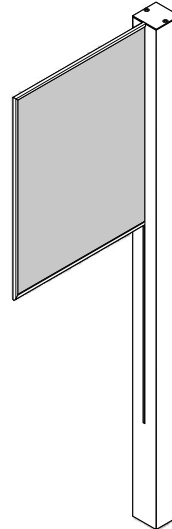
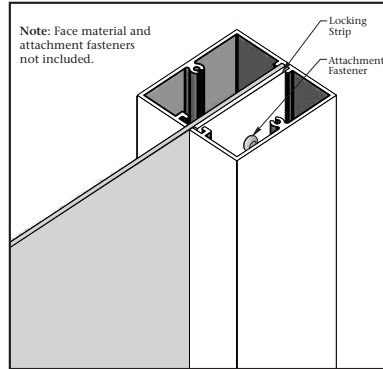
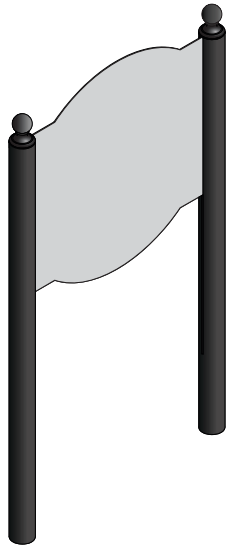
SIGN EX T R U S I O N S & S Y S T E M S

CURRENT PRICE as
of April 1, 2022



Post & Panels (Powder Coat Finish)

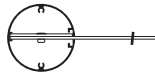
RTS - Post & Panel System



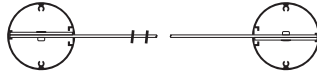
Note: All mounting provisions to be provided by fabricator.

3-1/4" Round Post

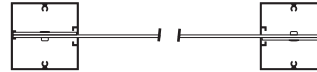
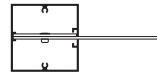
Flagmount



Double Post Mount



3-1/4" Square Post



Available in powder coated gloss white and gloss black finishes, 94" and 144" posts.

RTS Post Kit includes:

- 48" slot to accommodate up to a 48" high, 1/8" or 3mm panel
- One (1) adjustable, 48" Post Filler to accommodate a panel less than 48" high
- One (1) 1/8" Post Cap with two (2) countersink cap screws
- One (1) adjustable 94" Panel Trim for 1/8" or 3mm hollow core panel material
- Two (2) 6" Locking Strips
- One (1) 94" or 144" powder coated gloss white or gloss black RTS Post

NOTE: Face material and attachment fasteners not included

List Price Per Single Post Kit (2 post kits required for double post mount)

Price per
Post Kit

Square Post

94" Post

Part #RTS-1015-8' WHT
Part #RTS-1015-8' BLK
\$181.72 each

144" Post

Part #RTS-1015-12' WHT
Part #RTS-1015-12' BLK
\$261.45 each

Round Post

94" Post

Part #RTS-1017-8' WHT
Part #RTS-1017-8' BLK
\$166.89 each

144" Post

Part #RTS-1017-12' WHT
Part #RTS-1017-12' BLK
\$239.20 each

Price per
Finial

Ball Finial

Ball Finial with Square Cap
(Cap Screws and Threaded Insert Included)

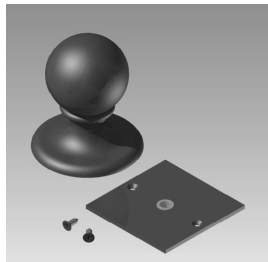
Part #RTS-5700F WHT
Part #RTS-5700F BLK
\$58.81 each

Ball Finial with Round Cap
(Cap Screws and Threaded Insert Included)

Part #RTS-5701F WHT
Part #RTS-5701F BLK
\$58.81 each

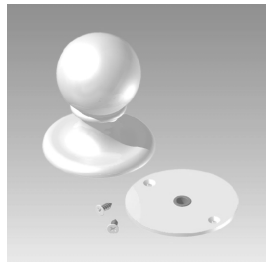
NOTE: Caps are slightly oversized.

Optional Accessories



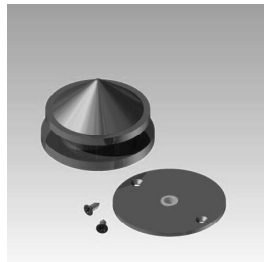
Ball Finial Kit w/Square Cap

White - Part #RTS-5700F WHT
Black - Part #RTS-5700F BLK



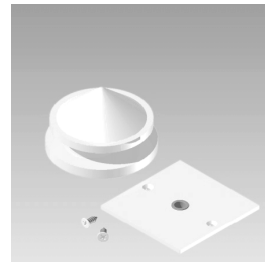
Ball Finial Kit w/Round Cap

White - Part #RTS-5701F WHT
Black - Part #RTS-5701F BLK



Tapered Ring Finial Kit w/Round Cap

White - Part #RTS-5703F WHT
Black - Part #RTS-5703F BLK



Tapered Ring Finial Kit w/Square Cap

White - Part #RTS-5702F WHT
Black - Part #RTS-5702F BLK

Tapered Ring Finial

Tapered Ring Finial
with Square Cap
(Cap Screws and Threaded Insert Included)
Part #RTS-5702F WHT
Part #RTS-5702F BLK
\$58.81 each

Tapered Ring Finial
with Round Cap
(Cap Screws and Threaded Insert Included)
Part #RTS-5703F WHT
Part #RTS-5703F BLK
\$58.81 each

NOTE: Caps are slightly oversized.

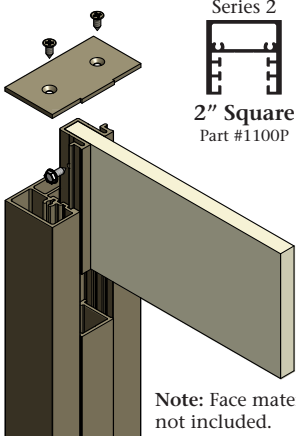
Finial Kit Includes: Finial with 1/4" threaded stud, Cap with 1/4" threaded insert and two (2) Cap Screws.

CURRENT PRICE as
of April 1, 2022



Post & Panels (Pre-painted)

Series 2/3 Panel Adaptors



Series 2
2" Square
Part #1100P

Series 3
3-1/4" Radius
Part #1210P

Series 3
3-1/4" Rectangular
Part #1220P

1/8"
Panel Adaptor
Part #1203P

1/4"
Panel Adaptor
Part #1202P

1/2"
Panel Adaptor
Part #1204P

Reveal
Part #1200P

Features & Benefits:

- Pre-painted dark bronze exterior finish
- Simple to assemble
- The 1/8", 1/4" and 1/2" Panel Adaptor can be used with any rigid or solid core composite 1/8", 1/4" or 1/2" sheet stock

Panel Adaptor Kit Includes:

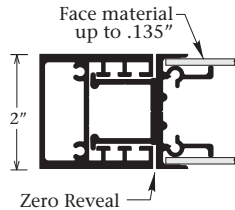
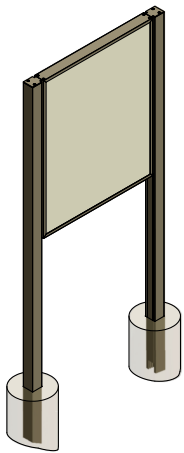
- Two (2) 94" cut to size posts
- Two (2) slightly oversized caps with screws
- Full Panel Adaptor or cut to size Panel Adaptor with Series 2/3 Reveal "below the panel filler"
- "Below the panel filler" is cut to fit 6" below grade
- Screws for panel assembly

Price per Kit

Series 2, 2" Square Post
Two (2) 94" posts & caps - \$368.00
For 9', 10', & 11' post lengths - Add \$28.00 per ft. per post
Two (2) 143-5/8" posts & caps - \$530.00

Series 3, 3-1/4" Posts Radius & Rectangular
Two (2) 94" posts & caps - \$398.00
For 9', 10', & 11' post lengths - Add \$31.00 per ft. per post
Two (2) 143-5/8" posts & caps - \$583.00

Series 2



Series 2, 2" Square Post
Part #1100P
Series 2 Slide Body
Part #1110P
Series 2/3 Reveal
Part #1200P

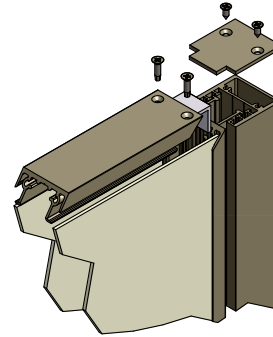
Series 2 Kit Includes:

- Two (2) 94" Series 2, 2" Square Posts
- Two (2) slightly oversized caps with screws
- Four (4) pieces cut to size and mitered Series 2
- Slide Body
- Two (2) pieces cut to size Series 2/3 Reveal and "below the panel filler"
- All hardware required for assembly

Note: Face material not included.

Features & Benefits:

- Pre-painted dark bronze exterior finish
- Simple to assemble
- Series 2/3 Reveal can be set in the zero, 3/8" or 3/4" position



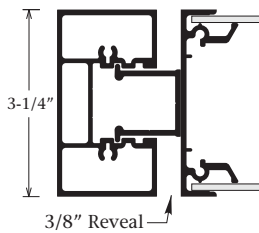
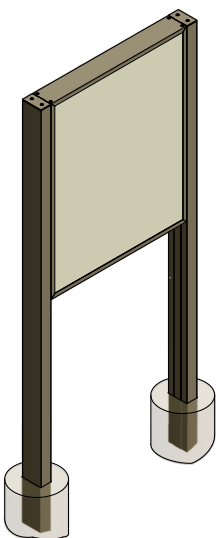
Price per Kit

Series 2

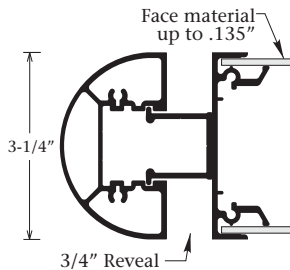
H" x W"	List
12 x 24	\$500
24 x 24	522
24 x 36	542
36 x 36	555
36 x 48	578
36 x 60	597
36 x 72	614
48 x 48	597
48 x 60	614
48 x 72	631

Additional Sizes and Full Lengths Available

Series 3



Series 3, 3-1/4" Rectangular Post
Part #1220P
Series 3 Slide Body
Part #1260P
Series 2/3 Reveal
Part #1200P



Series 3, 3-1/4" Radius Post
Part #1210P
Series 3 Slide Body
Part #1260P
Series 2/3 Reveal
Part #1200P

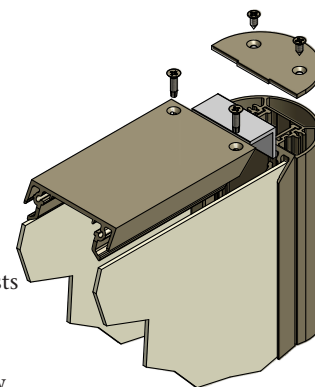
Series 3 Kit Includes:

- Two (2) 94" Series 3, 3-1/4" Rectangular or Radius Posts
- Two (2) slightly oversized caps with screws
- Four (4) pieces cut to size and mitered Series 3 Slide Body
- Two (2) pieces cut to size Series 2/3 Reveal and "below the panel filler"
- All hardware required for assembly

Note: Face material not included.

Features & Benefits:

- Pre-painted dark bronze exterior finish
- Simple to assemble
- Series 2/3 Reveal can be set in the zero, 3/8" or 3/4" position



Price per Kit

Series 3

H" x W"	List
24 x 24	\$622
24 x 36	651
24 x 48	678
36 x 36	678
36 x 48	704
36 x 60	730
36 x 72	756
48 x 48	730
48 x 60	756
48 x 72	784

Additional Sizes and Full Lengths Available

All Post & Panels also available in Mill finish

Soft Signage System (Black Plastic or Clear Anodized)

1-1/4" Soft Signage System

1-1/4" Soft Signage Frame
Part #3090N
1-1/4" Soft Signage Plastic Cover
Part #3093N

2" Soft Signage System

2" Soft Signage Frame
Part #3090
2" Soft Signage Plastic Cover
Part #3093

		Price per Kit	
H" x W"		1-1/4" List	2" List
12 x 24		\$107	\$124
24 x 24		131	152
24 x 36		152	179
24 x 48		175	207
36 x 36		175	207
36 x 48		198	233
36 x 60		221	261
48 x 48		221	261
48 x 60		243	288
48 x 72		265	316
60 x 60		265	316
60 x 72		289	341
60 x 84		310	369

Additional Sizes and Full Lengths Available

Features & Benefits:

- Fast, easy frame assembly
- No sewing or silicone beads required
- Easy snap on and off cover
- No painting required
- Light weight frame - single and double face
- Full bleed face
- Fabric does not need to be cut to exact size

Kit Includes:

- Four (4) pieces of Soft Signage Frame cut to size and mitered
- Four (4) pieces of Soft Signage Plastic Cover cut to size and mitered
- Four (4) pieces of Soft Signage Grip Strip II cut to size
- Four (4) 2 Piece Corner Keys

Not Included:

- Face material
- Mounting hardware
- Back
- Soft Signage Frame Z-Clip

1-1/4" Soft Signage Snap System

1-1/4" Soft Signage Snap Tension Frame
Part #3091N
1-1/4" Soft Signage Snap Frame Cover
Part #3094NA

2" Soft Signage Snap System

2" Soft Signage Snap Tension Frame
Part #3091
2" Soft Signage Snap Frame Cover
Part #3094A

		Price per Kit	
H" x W"		1-1/4" List	2" List
12 x 24		\$127	\$138
24 x 24		150	163
24 x 36		171	187
24 x 48		195	213
36 x 36		195	213
36 x 48		215	238
36 x 60		239	262
48 x 48		239	262
48 x 60		261	288
48 x 72		282	312
60 x 60		282	312
60 x 72		306	337
60 x 84		328	362

Additional Sizes and Full Lengths Available

Features & Benefits:

- Fast, easy frame assembly
- No sewing or silicone beads required
- Snap Cover is available in mill finish or clear anodized
- Light weight frame - single and double face
- Full bleed face
- Fabric does not need to be cut to exact size

Kit Includes:

- Four (4) pieces of Soft Signage Snap Frame cut to size and mitered
- Four (4) pieces of Soft Signage Snap Cover (Clear Anodized) cut to size and mitered
- Four (4) pieces of Soft Signage Grip Strip II cut to size
- Four (4) 2 Piece Corner Keys
- All Cover Springs required for assembly

Not Included:

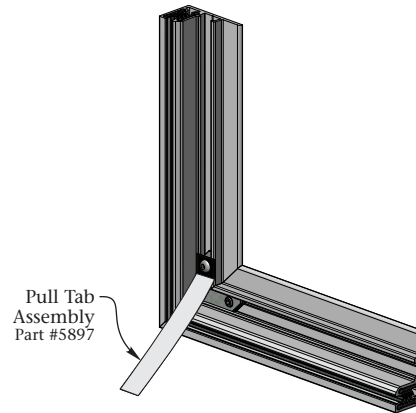
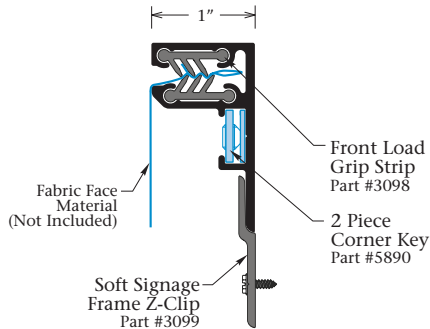
- Face material
- Mounting hardware
- Back
- Soft Signage Frame Z-Clip

Covers also available in Mill finish

Front Load Soft Signage Systems (Clear Anodized)

1" Front Load Soft Signage System

1" Front Load Soft Signage Frame
Part #3092A



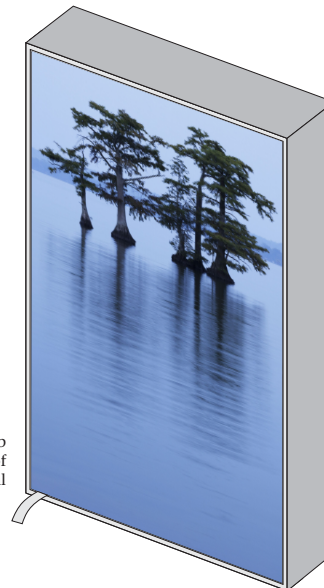
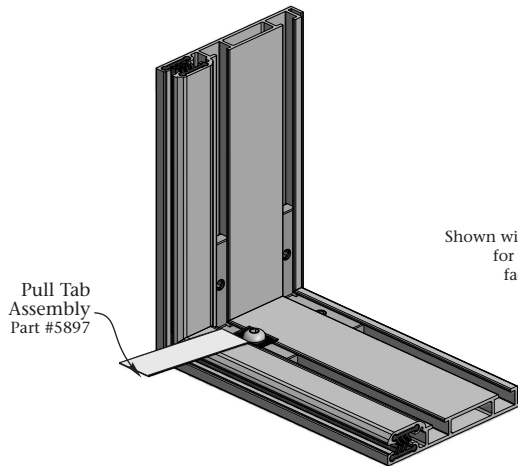
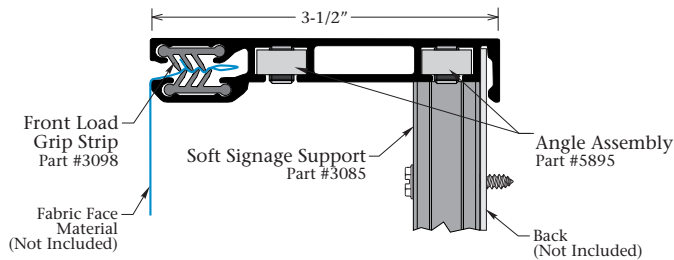
Price per Kit

H" x W"	List
12 x 24	\$95
24 x 24	114
24 x 36	136
24 x 48	157
36 x 36	157
36 x 48	178
36 x 60	198
48 x 48	198
48 x 60	217
48 x 72	239
60 x 60	239
60 x 72	259
60 x 84	280

Additional Sizes and
Full Lengths Available

3-1/2" Front Load Soft Signage System

3-1/2" Front Load Soft Signage Frame
Part #3095A



Shown with Pull Tab
for removal of
face material

Price per Kit

H" x W"	List
12 x 24	\$127
24 x 24	154
24 x 36	179
24 x 48	205
36 x 36	205
36 x 48	230
36 x 60	257
48 x 48	257
48 x 60	281
48 x 72	308
60 x 60	308
60 x 72	333
60 x 84	357

Additional Sizes and
Full Lengths Available

Features and Benefits:

- No sewing or silicone beads required
- Fabric does not need to be cut to exact size
- No special tool required for tensioning
- Fast and easy frame assembly
- 1" designed for narrow non-illuminated applications, 3-1/2" designed for illuminated applications
- Light weight 1 piece design - No cover needed
- Pull Tab remains attached to the frame upon face removal
- Available in Clear Anodized or Mill Finish
- Mounts directly to the wall or used in conjunction with the Soft Signage Frame Z-Clip, Part #3099 or the Soft Signage Support, Part #3085

Kit Includes:

- Four (4) pieces of Soft Signage Tension Frame cut to size and mitered
- Eight (8) pieces of Soft Signage 2 Piece Grip Strip cut to size
- Four (4) 2 Piece Corner Keys or Eight (8) Angle Assemblies
- One (1) Pull Tab Assembly

Not Included:

- Face material
- Mounting hardware

CURRENT PRICE as
of April 1, 2022



Wall Frames (Clear Anodized)

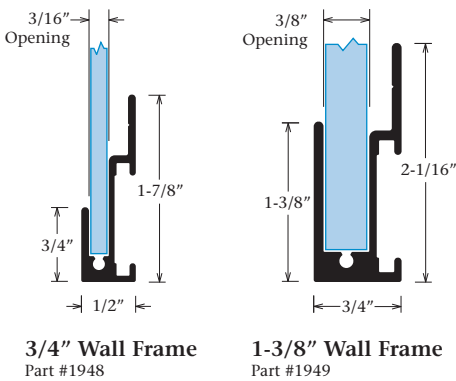


Kit Includes:

- Four (4) pieces of Wall Frame cut to size, mitered and pre-drilled
- Four (4) #6 x 3/4" sq/phillips head countersink screws
- Four (4) Corner Keys

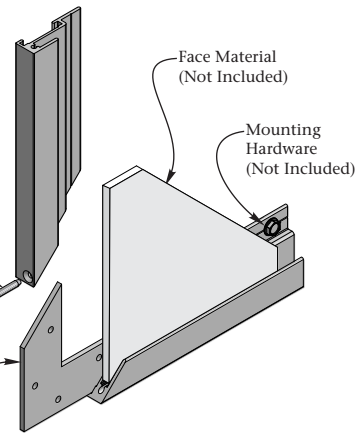
Not Included:

- Face material
- Mounting hardware



#6 x 3/4" Square/Phillips
Countersink Screw
Part #5245

Corner Key
Part #5210



Price per Kit

3/4" Wall Frame		
H" x W"	List	
12 x 12	\$51	
12 x 24	56	
24 x 24	59	
24 x 36	82	
36 x 36	85	
36 x 48	98	
48 x 48	110	
48 x 60	124	
60 x 60	135	
60 x 72	151	

1-3/8" Wall Frame

1-3/8" Wall Frame		
H" x W"	List	
12 x 12	\$55	
12 x 24	63	
24 x 24	82	
24 x 36	90	
36 x 36	103	
36 x 48	119	
48 x 48	134	
48 x 60	152	
60 x 60	166	
60 x 72	183	

Additional Sizes and Full Lengths Available

Note: Both vertical sides are pre-drilled and countersunk for the assembly fasteners.

Snap Frames (Clear Anodized)

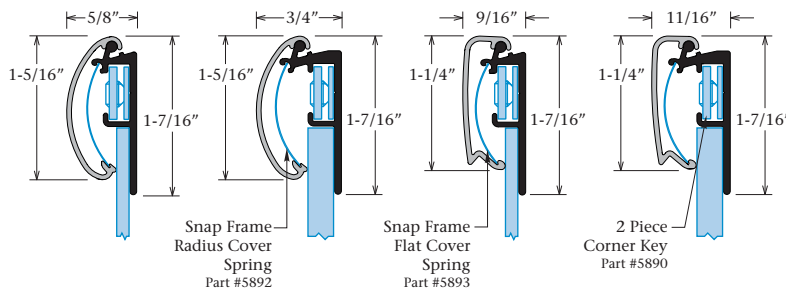
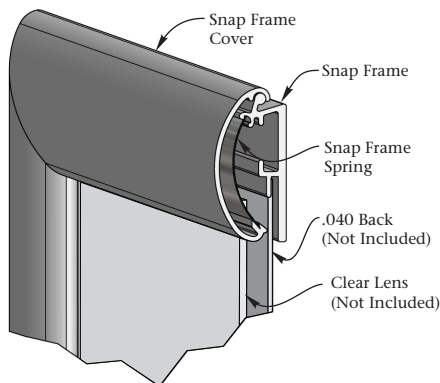


Kit Includes:

- Four (4) pieces of Snap Frame cut to size and mitered
- Four (4) pieces of Snap Frame Cover (Clear Anodized) cut to size and mitered
- Four (4) 2 Piece Corner Keys
- Snap Frame Springs

Not Included:

- .040 Back
- Face material



Snap Frame
Part #1899
Snap Frame Radius Cover
Part #1896A
Material Thickness Range: .000 - .125

Large Snap Frame
Part #1898
Snap Frame Radius Cover
Part #1896A
Material Thickness Range: .125 - .250

Snap Frame
Part #1899
Snap Frame Flat Cover
Part #1895A
Material Thickness Range: .000 - .125

Large Snap Frame
Part #1898
Snap Frame Flat Cover
Part #1895A
Material Thickness Range: .125 - .250

Price per Kit

Price per Kit		
H" x W"	List	
12 x 12	\$31	
12 x 24	44	
18 x 18	44	
18 x 24	50	
24 x 24	55	
24 x 36	66	
36 x 36	76	
36 x 48	88	
48 x 48	98	
48 x 60	110	
48 x 96	143	
60 x 60	122	
60 x 72	134	

Additional Sizes and Full Lengths Available

Covers also available in Mill finish