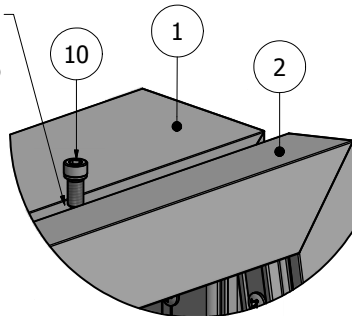
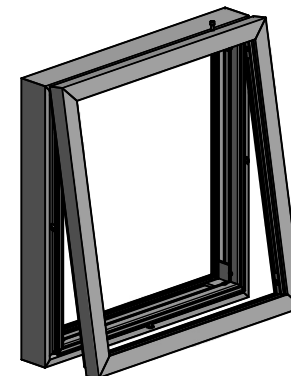


PARTS LIST			
ITEM	PART#	DESCRIPTION	NOTES
1	K2021	Narrow Body	Assembly
2	K2053/63/73	1 1/2" Retainer w/ Frame and Cover	Assembly
10	5170	Hinge Screw	Drill 3/8" pilot hole
11	5180	Closure Screw	Drill 5/16" pilot hole

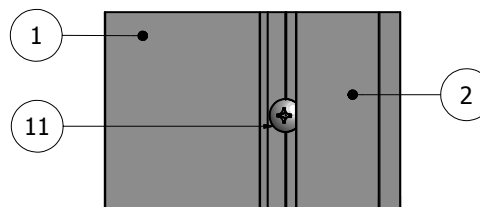
***NOTE:** Drill a 3/8" oversized hole for the head of the hinge screw to slip through.



DETAIL A

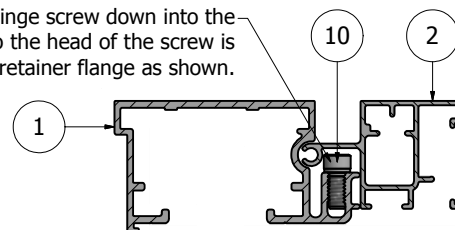


Ship To:
Sales Order#



DETAIL B
FRAME CLOSED

Drive the hinge screw down into the body so the head of the screw is under the retainer flange as shown.



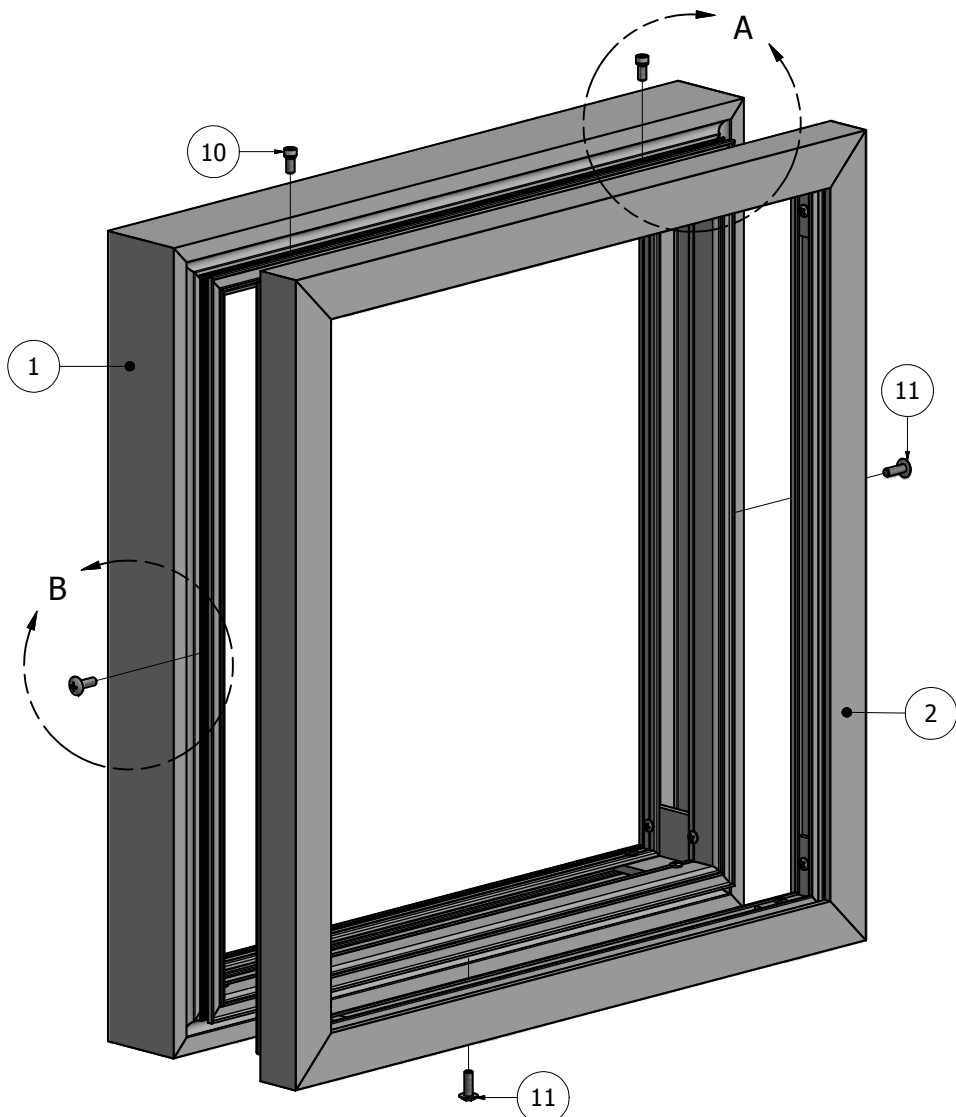
TOP CROSS-SECTION

NOTE: PRE-CUT KITS ARE NOT PRE-DRILLED.

(Holes shown in this drawing are for reference only. Drilling of pilot holes are to be done by fabricator.)

THIS DRAWING WAS CREATED AT NO CHARGE TO ASSIST YOU IN VISUALIZING OUR PROPOSAL. THE DRAWING HEREIN IS THE PROPERTY OF SIGNCOMP. PERMISSION TO COPY OR REVISE THIS DRAWING OR TO USE THIS DRAWING FOR PRODUCTION IS STRICTLY PROHIBITED AND CAN ONLY BE COPIED, REVISED OR USED FOR PRODUCTION WITH THE EXPRESSED WRITTEN PERMISSION OF SIGNCOMP.

DRAWN	SBreihof	10/30/2012	SignComp
Centroid X:	0.000 in	TITLE	
Centroid Y:	0.000 in	Narrow Body w/ 1 1/2" Retainer - Assembly	
Principal Moments Ix:	0.000 in ⁴	DWG NO	REV
Principal Moments Iy:	0.000 in ⁴	K2021-53 with 2063	
Section Modulus Ix:	0.000 in ³	SHEET 1 OF 1	
Section Modulus Iy:	0.000 in ³		



Parts List			
ITEM	PART#	DESCRIPTION	NOTES
1	2021	Narrow Single Face Body	Top & Bottom
2	2021	Narrow Single Face Body	Sides
3	5321	Narrow Body Corner Angle	
13	5218	Corner Angle Screw	Drill 5/32" pilot hole

Ship To:

Order Number:

D

C

B

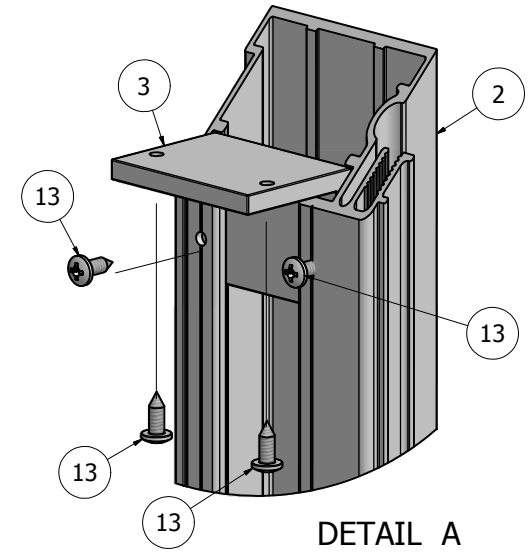
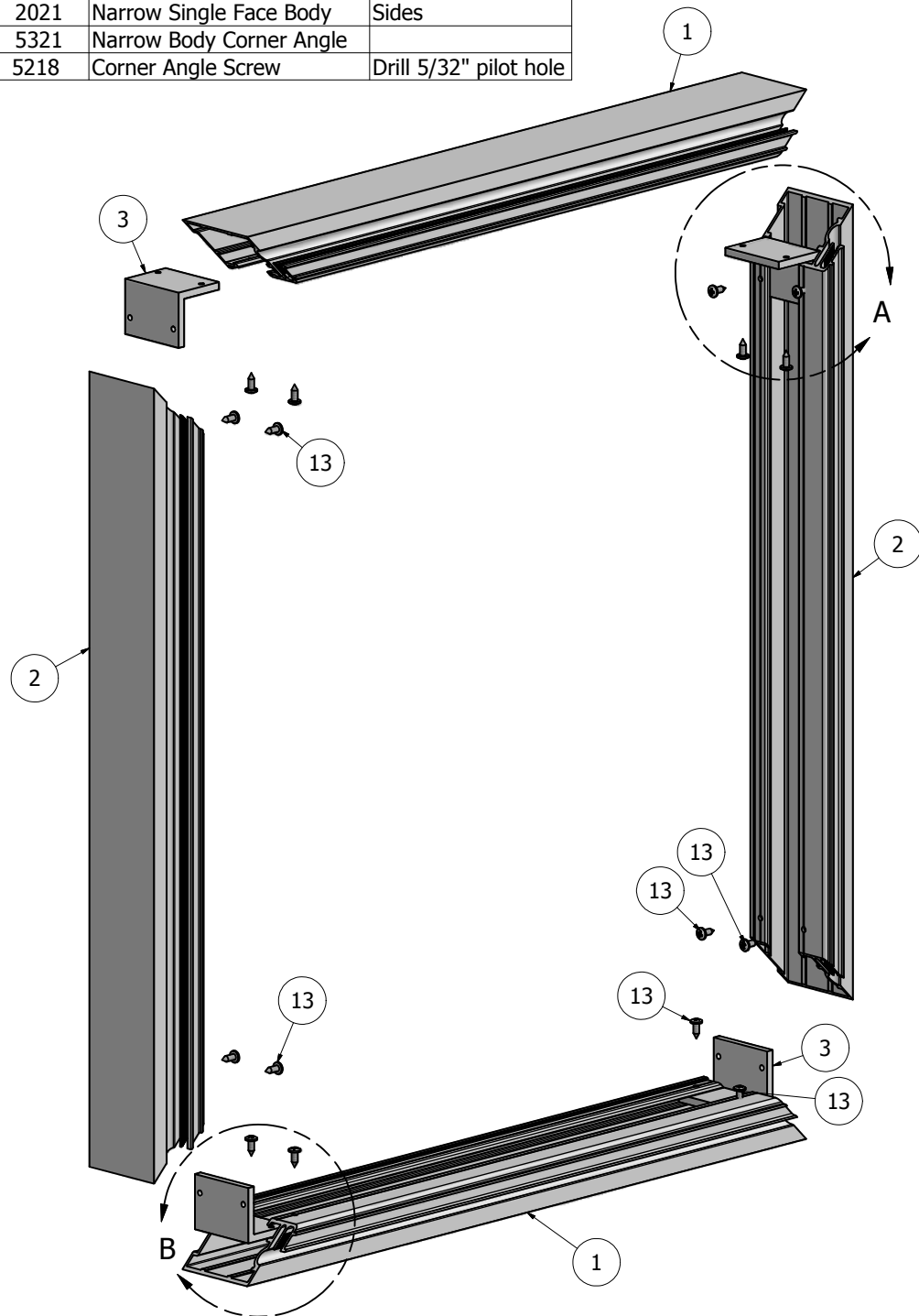
A

4

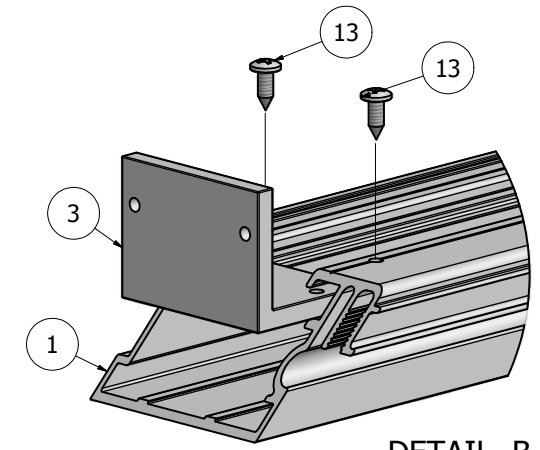
3

2

1



DETAIL A



DETAIL B

NOTE: PRE-CUT KITS ARE NOT PRE-DRILLED.
 (Holes shown in this drawing are for reference only.
 Drilling of pilot holes are to be done by fabricator.)

THIS DRAWING WAS CREATED AT NO CHARGE TO ASSIST YOU IN VISUALIZING OUR PROPOSAL. THE DRAWING HEREIN IS THE PROPERTY OF SIGNCOMP. PERMISSION TO COPY OR REVISE THIS DRAWING OR TO USE THIS DRAWING FOR PRODUCTION IS STRICTLY PROHIBITED AND CAN ONLY BE COPIED, REVISED OR USED FOR PRODUCTION WITH THE EXPRESSED WRITTEN PERMISSION OF SIGNCOMP.			<h1>SignComp</h1>	
DRAWN	Sarah	4/30/2012		
	Centroid X:	0.000 in		
	Centroid Y:	0.000 in		
	Principal Moments Ix:	0.000 in ⁴		
	Principal Moments Iy:	0.000 in ⁴		
	Section Modulus Ix:	0.000 in ³	DWG NO	K2021
	Section Modulus Iy:	0.000 in ³		REV
			SHEET 1 OF 1	

D

C

B

A

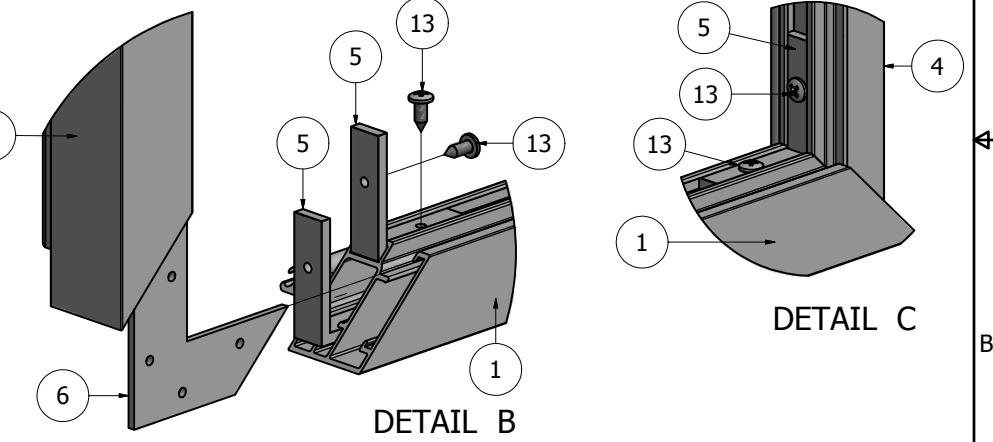
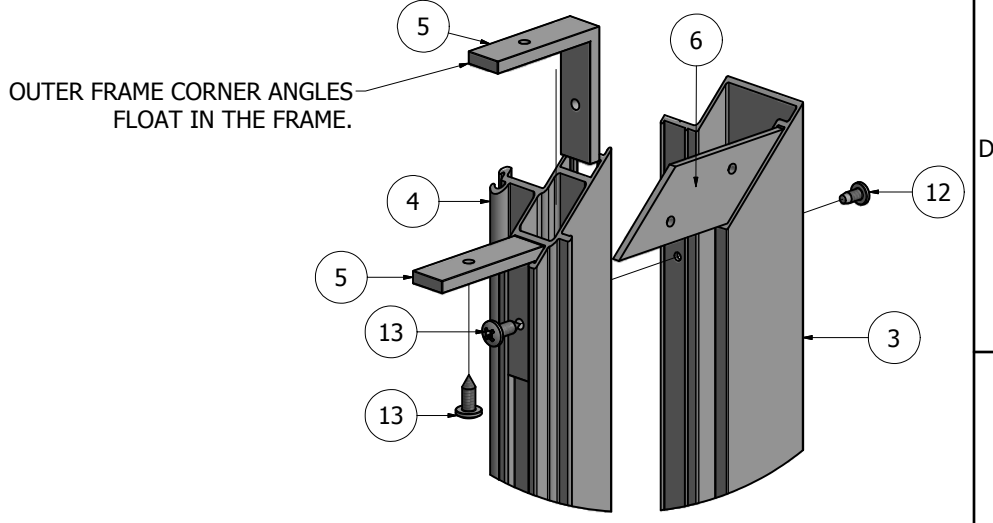
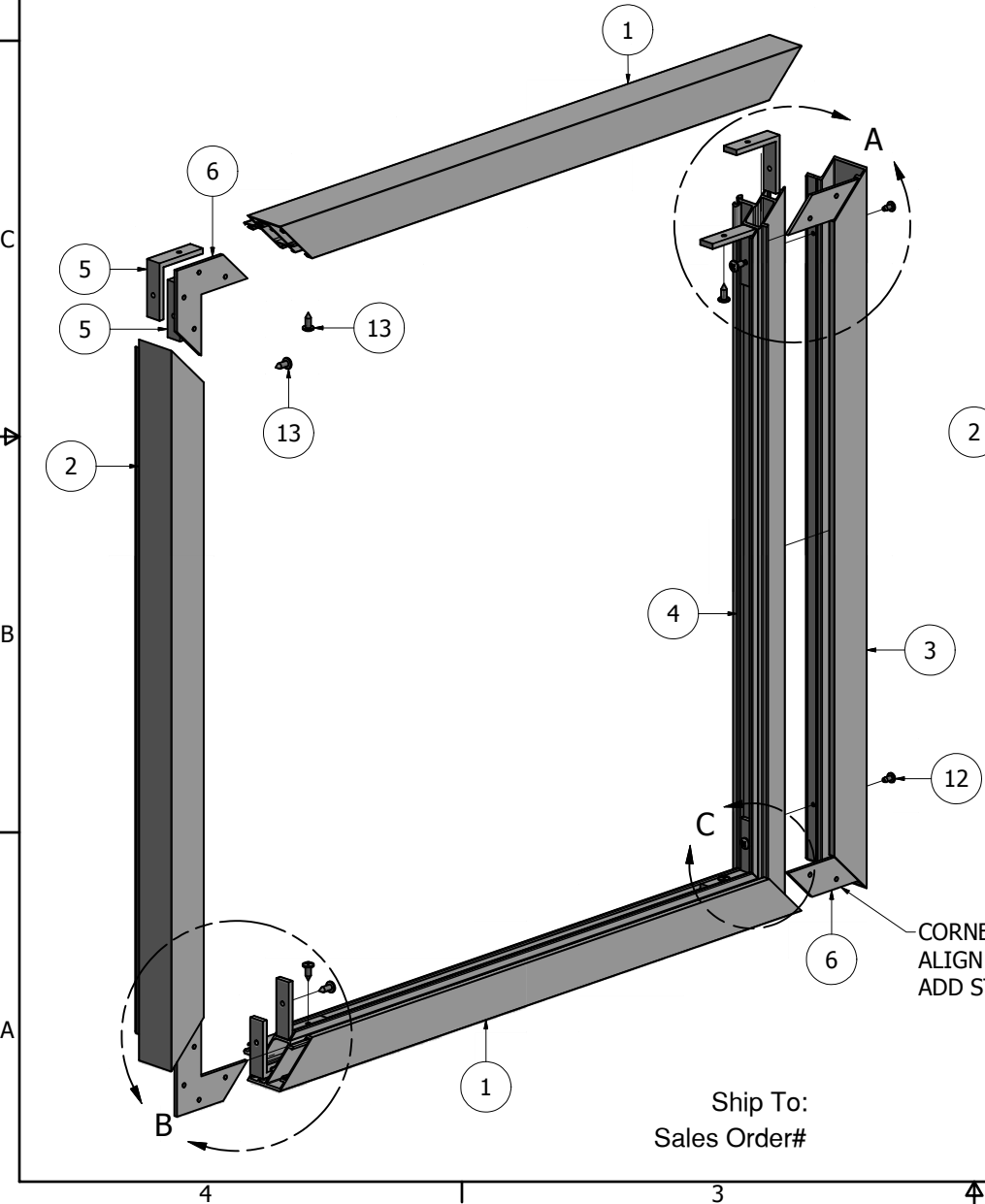
4

3

2

1

PARTS LIST			
ITEM	PART #	DESCRIPTION	NOTES
1	2053	1 1/2" Retainer	Top & Bottom
2	2053	1 1/2" Retainer	One Side
3	2073	1 1/2" Frame Cover	One Side
4	2063	1 1/2" Frame	One Side
5	5304	1 1/2" Frame Corner Angle	
6	5210	Corner Key	
12	5195	Cover Screw	Pre-drill 3/32" pilot hole
13	5218	Corner Angle Screw	Drill 5/32" pilot hole



THIS DRAWING WAS CREATED AT NO CHARGE TO ASSIST YOU IN VISUALIZING OUR PROPOSAL. THE DRAWING HEREIN IS THE PROPERTY OF SIGNCOMP. PERMISSION TO COPY OR REVISE THIS DRAWING OR TO USE THIS DRAWING FOR PRODUCTION IS STRICTLY PROHIBITED AND CAN ONLY BE COPIED, REVISED OR USED FOR PRODUCTION WITH THE EXPRESSED WRITTEN PERMISSION OF SIGNCOMP.

DRAWN	SBreihof	10/26/2012	SignComp
Centroid X:	0.000 in		
Centroid Y:	0.000 in		TITLE
Principal Moments Ix:	0.000 in ⁴		1-1/2" Retainer w/ 1-1/2" Frame and Cover - Assembly
Principal Moments Iy:	0.000 in ⁴		DWG NO
Section Modulus Ix:	0.000 in ³		K2053-63
Section Modulus Iy:	0.000 in ³		REV

Ship To:
Sales Order#