

2



1

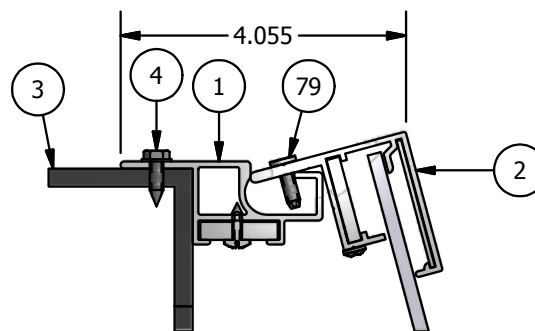
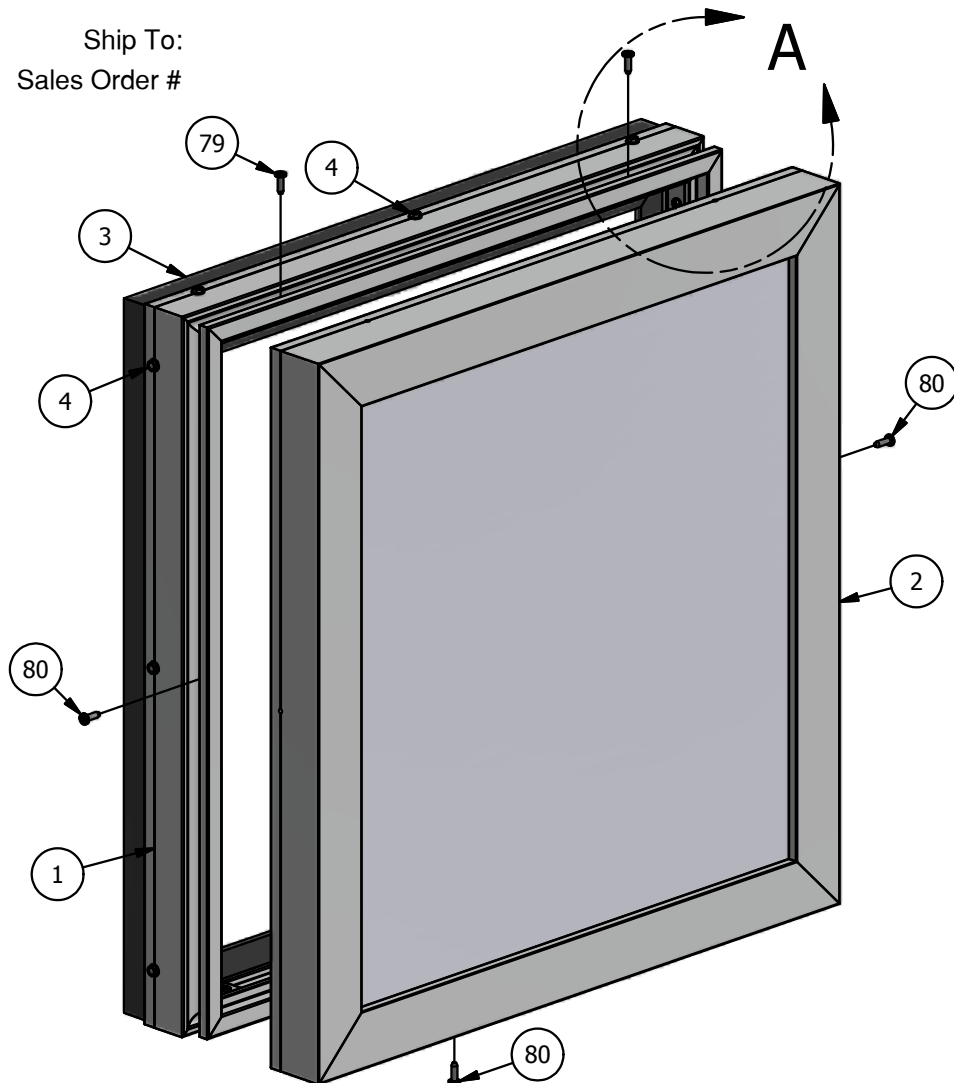
PARTS LIST

| ITEM | PART # | DESCRIPTION | NOTES |
|------|----------|---|---|
| 1 | 2041 | Flat Retro Body | Assembly |
| 2 | 2047 | Flat 2" Retainer | Assembly |
| 3 | By Other | Angle or Tubing | Required if not attaching to existing structure |
| 4 | By Other | Attachment Fastener | Not Provided by SignComp |
| 79 | 5178 | Hinge Screw - #10 x 5/8" pancake head | Pre-drill 5/32" pilot hole every 36" - Top only |
| 80 | 5178 | Closure Screw - #10 x 5/8" pancake head | Pre-drill 5/32" pilot hole every 48" - Sides & Bottom |

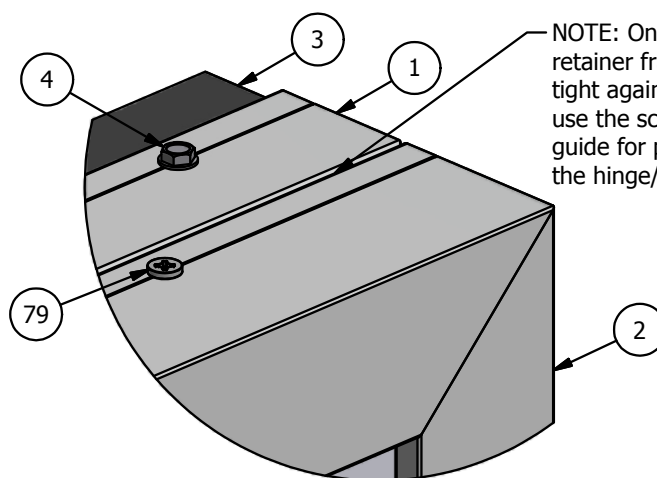
NOTE: PRE-CUT KITS ARE NOT PRE-DRILLED.

(Holes shown in this drawing are for reference only.
Drilling of pilot holes are to be done by fabricator.)

Ship To:
Sales Order #

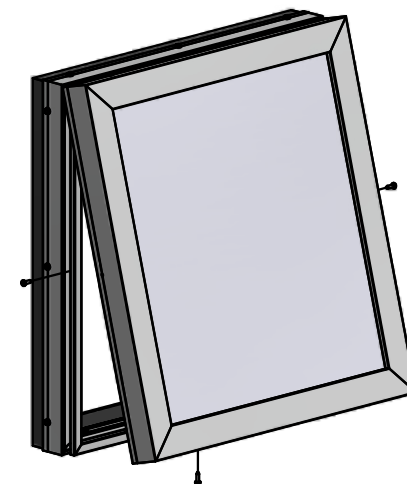


TOP CROSS-SECTION VIEW



DETAIL A

NOTE: Once the assembled
retainer frame is placed
tight against the body,
use the scribe line as a
guide for placement of
the hinge/closure screws.



THIS DRAWING WAS CREATED AT NO CHARGE TO ASSIST YOU IN VISUALIZING OUR PROPOSAL. THE DRAWING HEREIN IS THE PROPERTY OF SIGNCOMP. PERMISSION TO COPY OR REVISE THIS DRAWING OR TO USE THIS DRAWING FOR PRODUCTION IS STRICTLY PROHIBITED AND CAN ONLY BE COPIED, REVISED OR USED FOR PRODUCTION WITH THE EXPRESSED WRITTEN PERMISSION OF SIGNCOMP.

Part Name: Flat Retro Body & Flat 2" Retainer - Assembly

Part Number: K2041/2047

Date: 7/8/2015

Sheet: 1 of 1
Drawing By: SBreihof

Size: A

SignComp

B

B

A

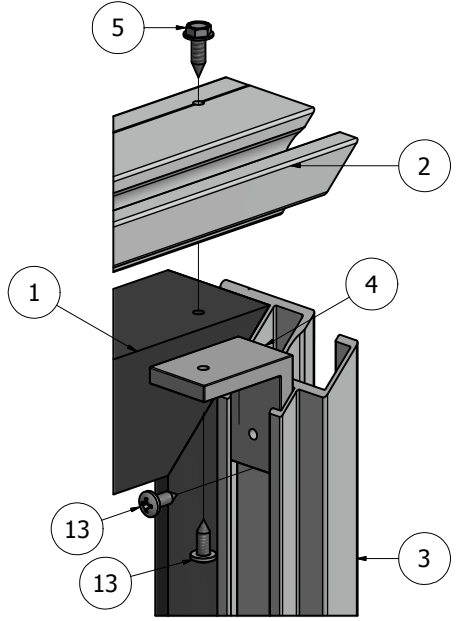
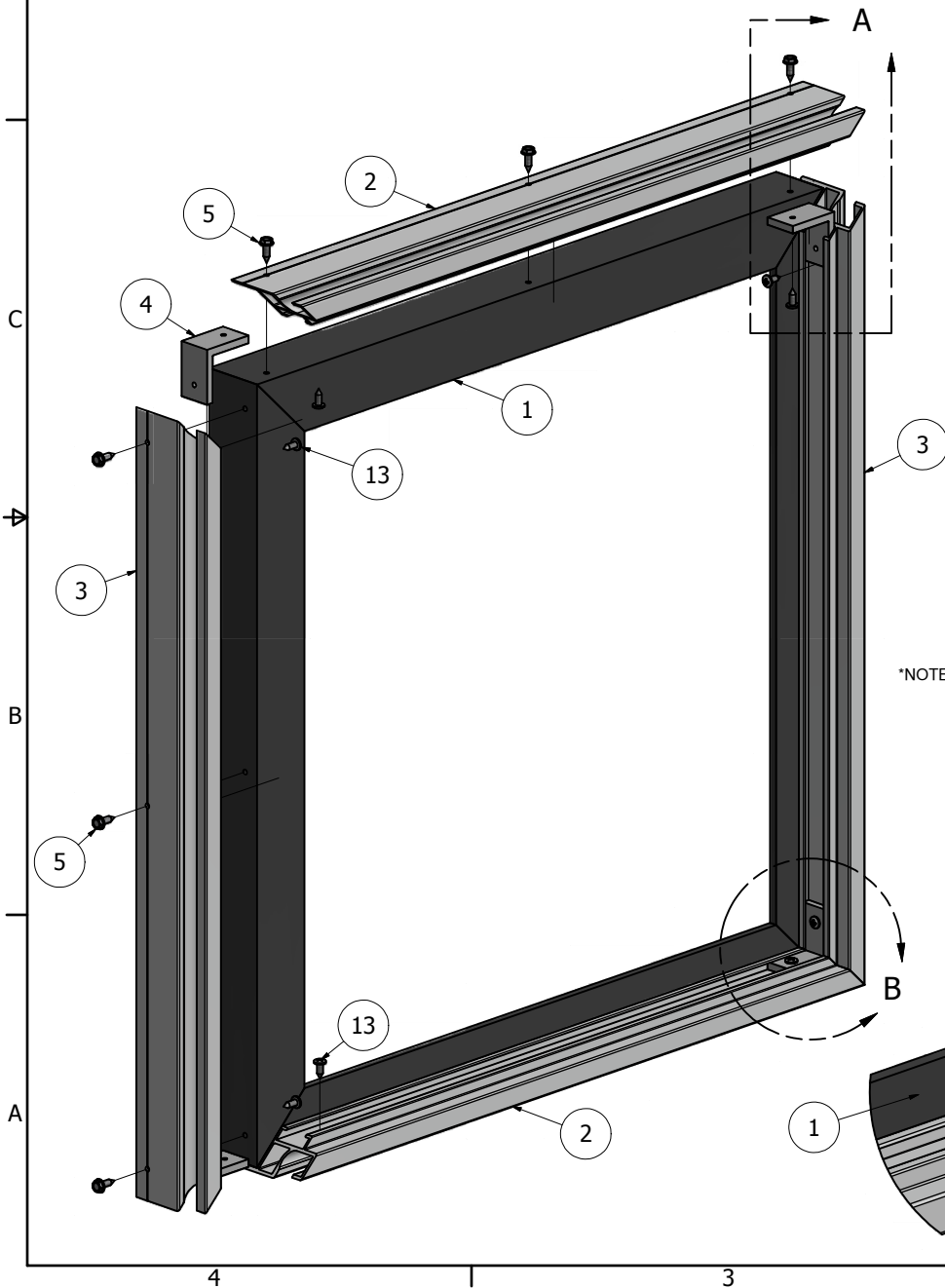
A

2

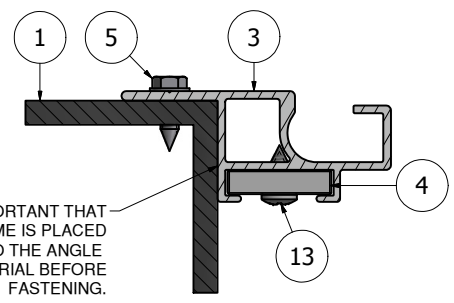


1

| PARTS LIST | | | |
|------------|--------|-----------------------------------|--------------------------|
| ITEM | PART # | DESCRIPTION | NOTES |
| 1 | | Angle Frame or Existing Structure | Not provided by SignComp |
| 2 | 2041 | Flat Retro Body | Top & Bottom |
| 3 | 2041 | Flat Retro Body | Sides |
| 4 | 5305 | Frame Corner Angle | One (1) per corner |
| 5 | | Attachment Fastener | By Other |
| 13 | 5218 | Corner Angle Screw | Pre-drill 5/32" hole |

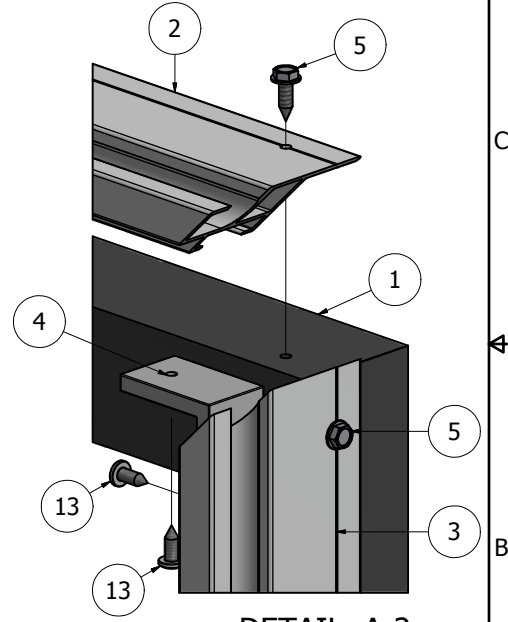


DETAIL A-1

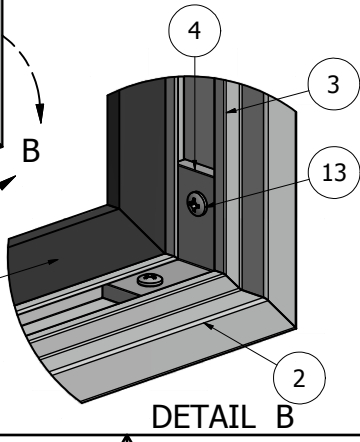


CROSS-SECTION VIEW

*NOTE: IT'S IMPORTANT THAT THE FRAME IS PLACED TIGHT TO THE ANGLE MATERIAL BEFORE FASTENING.



DETAIL A-2



DETAIL B

NOTE: PRE-CUT KITS ARE NOT PRE-DRILLED.
(Holes shown in this drawing are for reference only. Drilling of pilot holes are to be done by fabricator.)

| | | | |
|---|---|----------------------------|-----|
| THIS DRAWING WAS CREATED AT NO CHARGE TO ASSIST YOU IN VISUALIZING OUR PROPOSAL. THE DRAWING HEREIN IS THE PROPERTY OF SIGNCOMP. PERMISSION TO COPY OR REVISE THIS DRAWING OR TO USE THIS DRAWING FOR PRODUCTION IS STRICTLY PROHIBITED AND CAN ONLY BE COPIED, REVISED OR USED FOR PRODUCTION WITH THE EXPRESSED WRITTEN PERMISSION OF SIGNCOMP. | | <h1>SignComp</h1> | |
| DRAWING BY: SBreihof 8/15/2013 | | | |
| Centroid X: 0.000 in | Centroid Y: 0.000 in | Flat Retro Body - Assembly | |
| Principal Moments Ix: 0.000 in ⁴ | Principal Moments Iy: 0.000 in ⁴ | PART NO | REV |
| Section Modulus Ix: 0.000 in ³ | Section Modulus Iy: 0.000 in ³ | K2041 | |
| | | SHEET 1 OF 1 | |

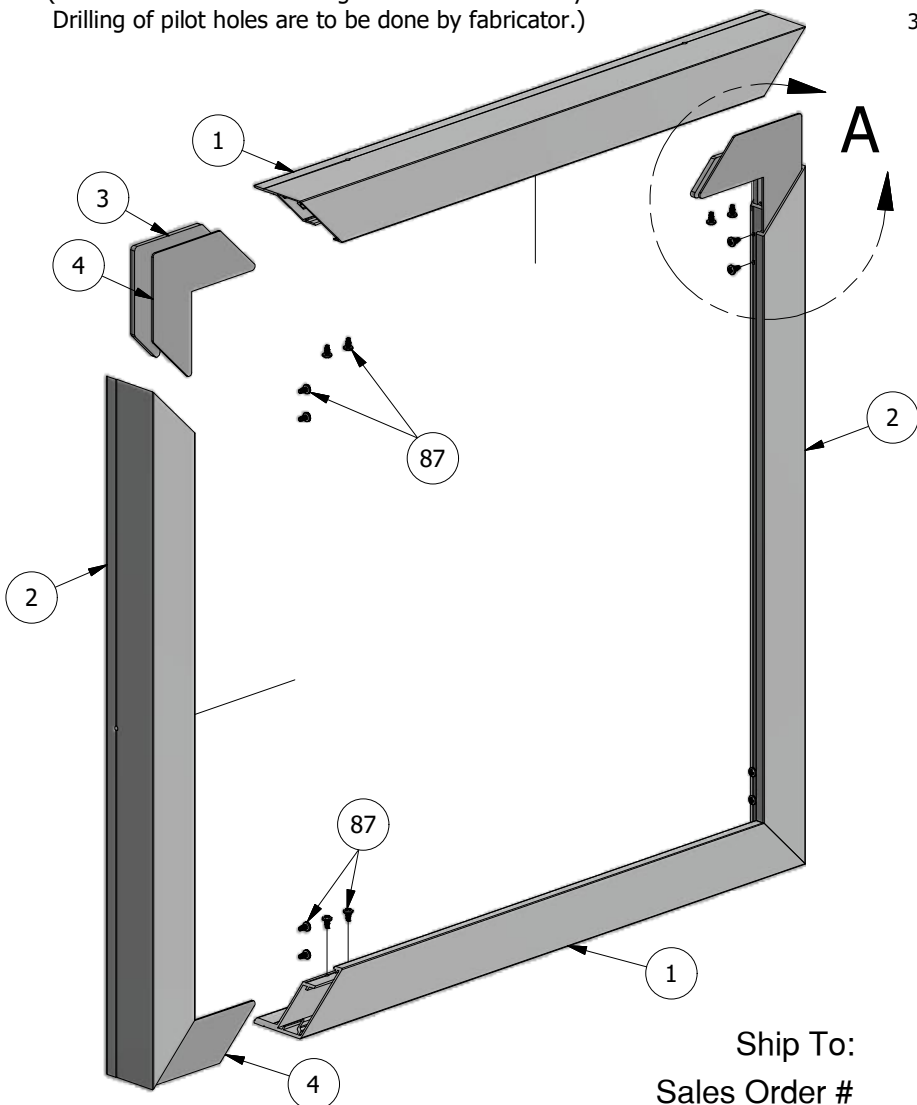
2

PARTS LIST

| ITEM | PART # | DESCRIPTION | NOTES |
|------|--------|---------------------------------|--|
| 1 | 2047 | Flat 2" Retainer | Top & Bottom Retainers |
| 2 | 2047 | Flat 2" Retainer | Sides |
| 3 | 5214 | Flat 2" Frame Corner Bracket | |
| 4 | 5214 | Flat 2" Frame Corner Key | |
| 87 | 5195 | Flat Frame Corner Bracket Screw | #8 x 5/16" - Pre-drill 1/8" holes Four (4) per corner |

B NOTE: PRE-CUT KITS ARE NOT PRE-DRILLED.

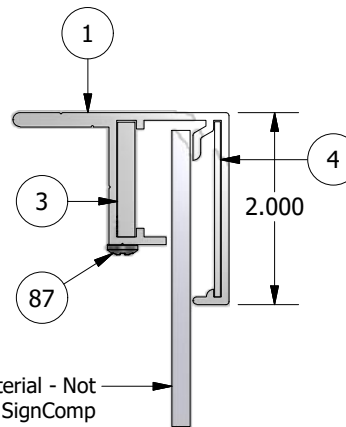
(Holes shown in this drawing are for reference only.
Drilling of pilot holes are to be done by fabricator.)



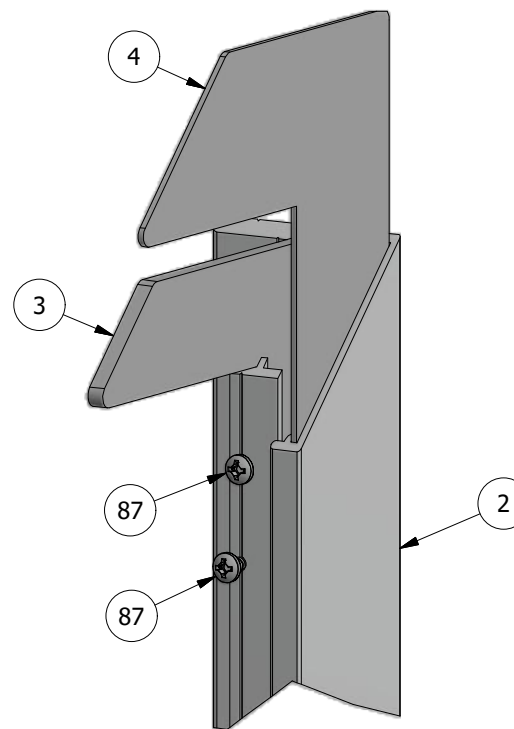
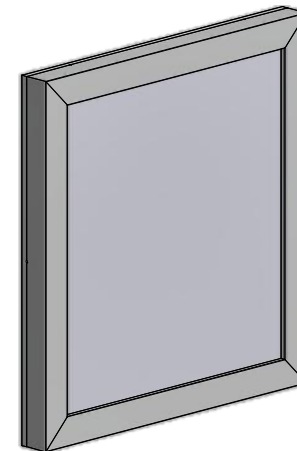
Ship To:
Sales Order #

2

1



CROSS-SECTION VIEW



DETAIL A

1

THIS DRAWING WAS CREATED AT NO CHARGE TO ASSIST YOU IN VISUALIZING OUR PROPOSAL. THE DRAWING HEREIN IS THE PROPERTY OF SIGNCOMP. PERMISSION TO COPY OR REVISE THIS DRAWING OR TO USE THIS DRAWING FOR PRODUCTION IS STRICTLY PROHIBITED AND CAN ONLY BE COPIED, REVISED OR USED FOR PRODUCTION WITH THE EXPRESSED WRITTEN PERMISSION OF SIGNCOMP.

Part Name: Flat 2" Retainer

Part Number: 2047

Revision:

Date: 4/27/2015

Drawing By: SBreihof

Sheet: 1 of 1

Size: A

SignComp

B

A