

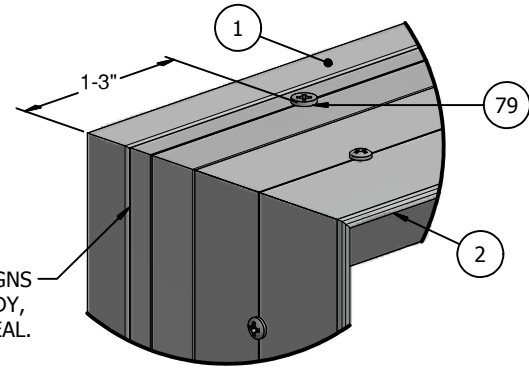
ITEM	PART #	DESCRIPTION	NOTES
1	K2042	Flat Wall Mount Retro Body	Assembly
2	K2107-2121	Flat Bleed Retro Frame II w/ Bleed Cover	Assembly
79	5178	Hinge Screw - #10 x 5/8" pancake head	Pre-drill 5/32" - Top 36" o/c
80	5178	Closure Screw - #10 x 5/8" pancake head	Pre-drill 5/32" - Bottom and Sides 48" o/c

NOTE: PRE-CUT KITS ARE NOT PRE-DRILLED.

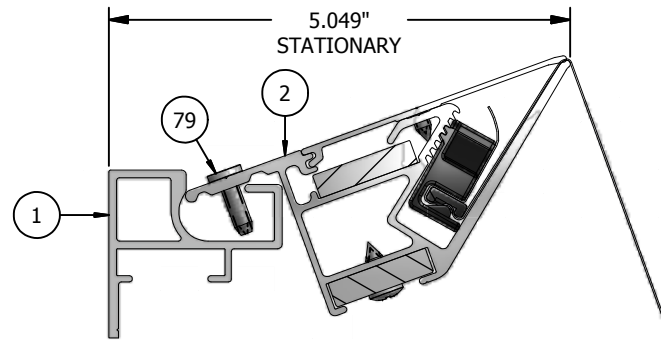
(Holes shown in this drawing are for reference only.
Drilling of pilot holes are to be done by fabricator.)

Ship To:
Sales Order #

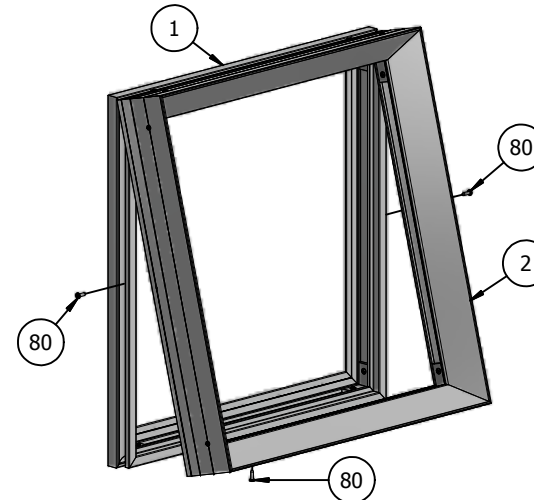
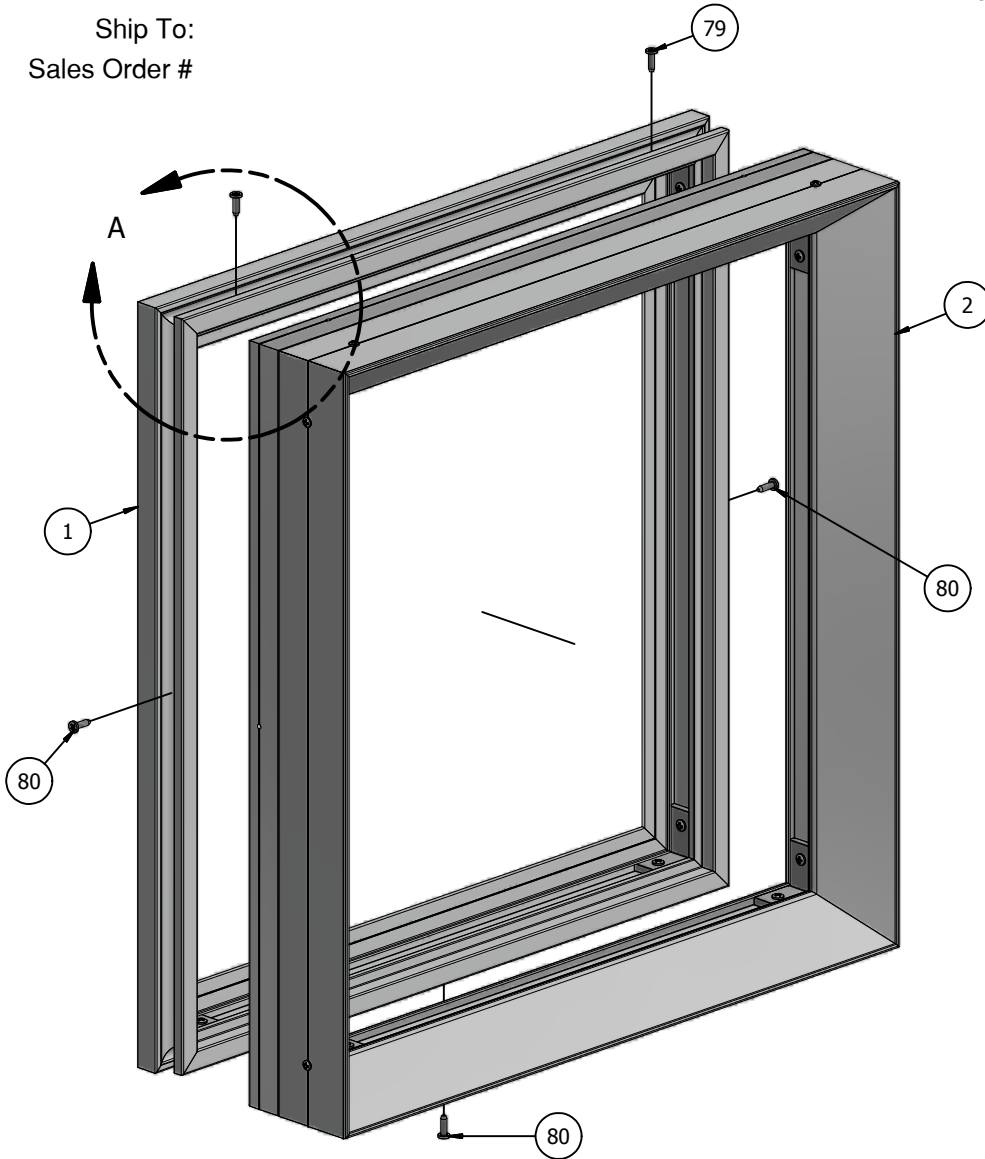
NOTE: THE FRAME ALIGNS
TIGHT TO THE BODY,
SHOWING NO REVEAL.



DETAIL A
FRAME CLOSED



TOP CROSS-SECTION VIEW



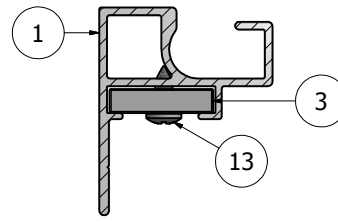
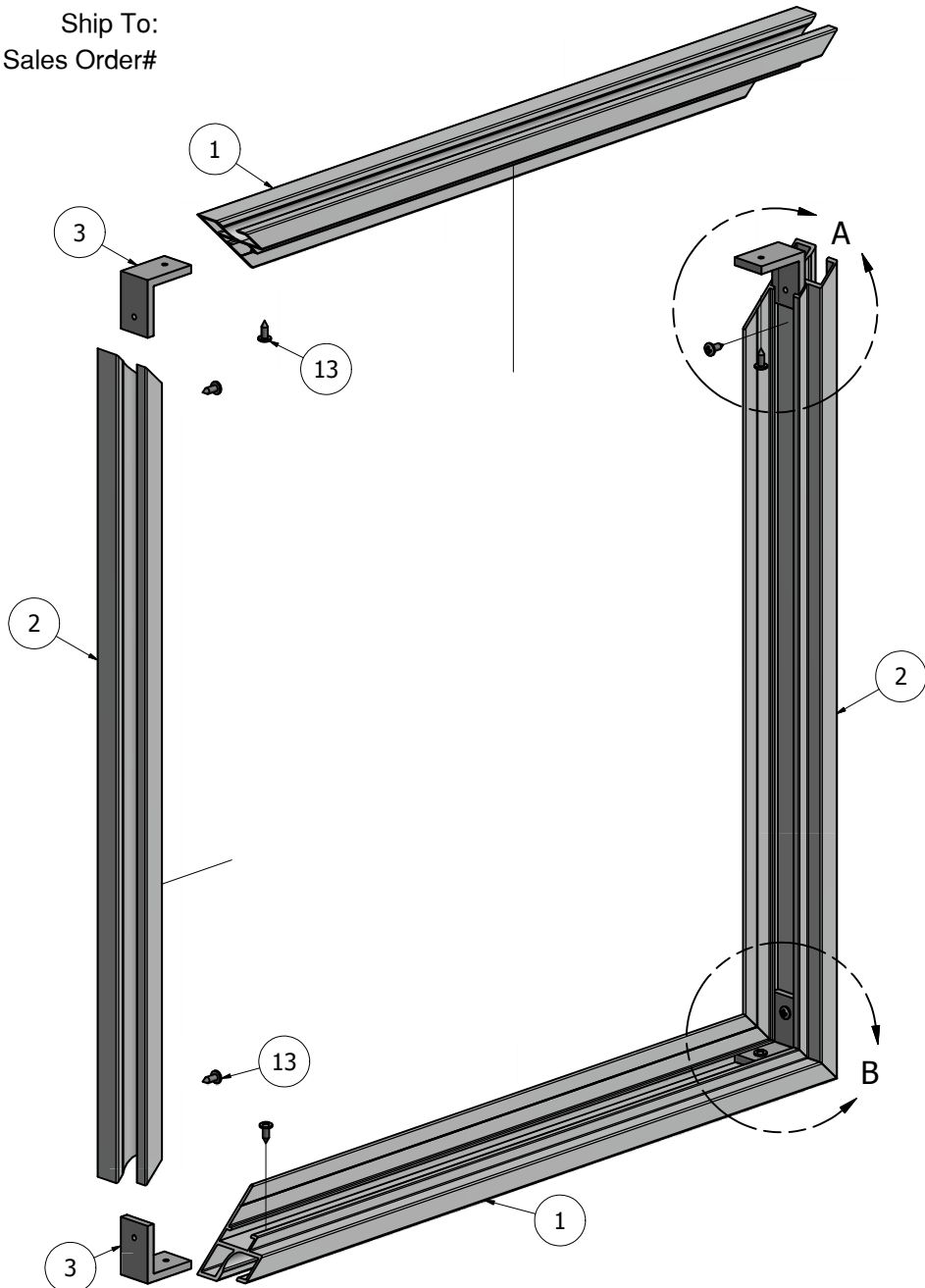
THIS DRAWING WAS CREATED AT NO CHARGE TO ASSIST YOU IN VISUALIZING OUR PROPOSAL. THE DRAWING HEREIN IS THE PROPERTY OF SIGNCOMP. PERMISSION TO COPY OR REVISE THIS DRAWING OR TO USE THIS DRAWING FOR PRODUCTION IS STRICTLY PROHIBITED AND CAN ONLY BE COPIED, REVISED OR USED FOR PRODUCTION WITH THE EXPRESSED WRITTEN PERMISSION OF SIGNCOMP.

Part Name: Flat Wall Mnt Retro Body w/ Flat Bleed Retro Frm II 1 of 1
 Part Number: K2042-2107-21
 Revision: /-21
 Date: 2/27/2015
 Drawing By: SBreihof
 Sheet: 1 of 1
 Size: A

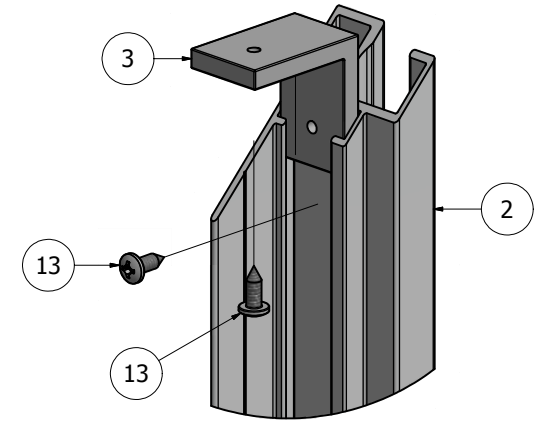
SignComp

PARTS LIST			
ITEM	PART #	DESCRIPTION	NOTES
1	2042	Flat Wall Mount Retro Body	Top & Bottom
2	2042	Flat Wall Mount Retro Body	Sides
3	5305	Frame Corner Angle	One (1) per corner
13	5218	Corner Angle Screw	Pre-drill 5/32" pilot hole

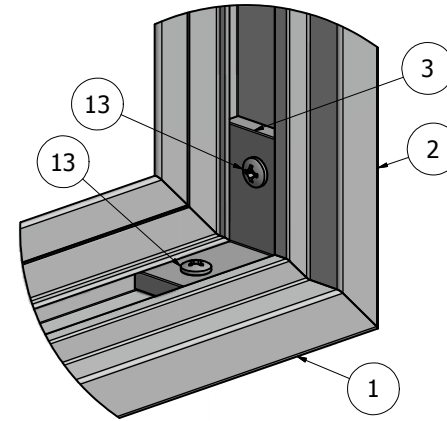
Ship To:
Sales Order#



CROSS-SECTION VIEW



DETAIL A



DETAIL B

NOTE: PRE-CUT KITS ARE NOT PRE-DRILLED.
(Holes shown in this drawing are for reference only.
Drilling of pilot holes are to be done by fabricator.)

THIS DRAWING WAS CREATED AT NO CHARGE TO ASSIST YOU IN VISUALIZING OUR PROPOSAL. THE DRAWING HEREIN IS THE PROPERTY OF SIGNCOMP. PERMISSION TO COPY OR REVISE THIS DRAWING OR TO USE THIS DRAWING FOR PRODUCTION IS STRICTLY PROHIBITED AND CAN ONLY BE COPIED, REVISED OR USED FOR PRODUCTION WITH THE EXPRESSED WRITTEN PERMISSION OF SIGNCOMP.

DRAWING BY:	SBreihof	8/15/2013
Centroid X:	0.000 in	
Centroid Y:	0.000 in	
Principal Moments Ix:	0.000 in ⁴	
Principal Moments Iy:	0.000 in ⁴	
Section Modulus Ix:	0.000 in ³	
Section Modulus Iy:	0.000 in ³	

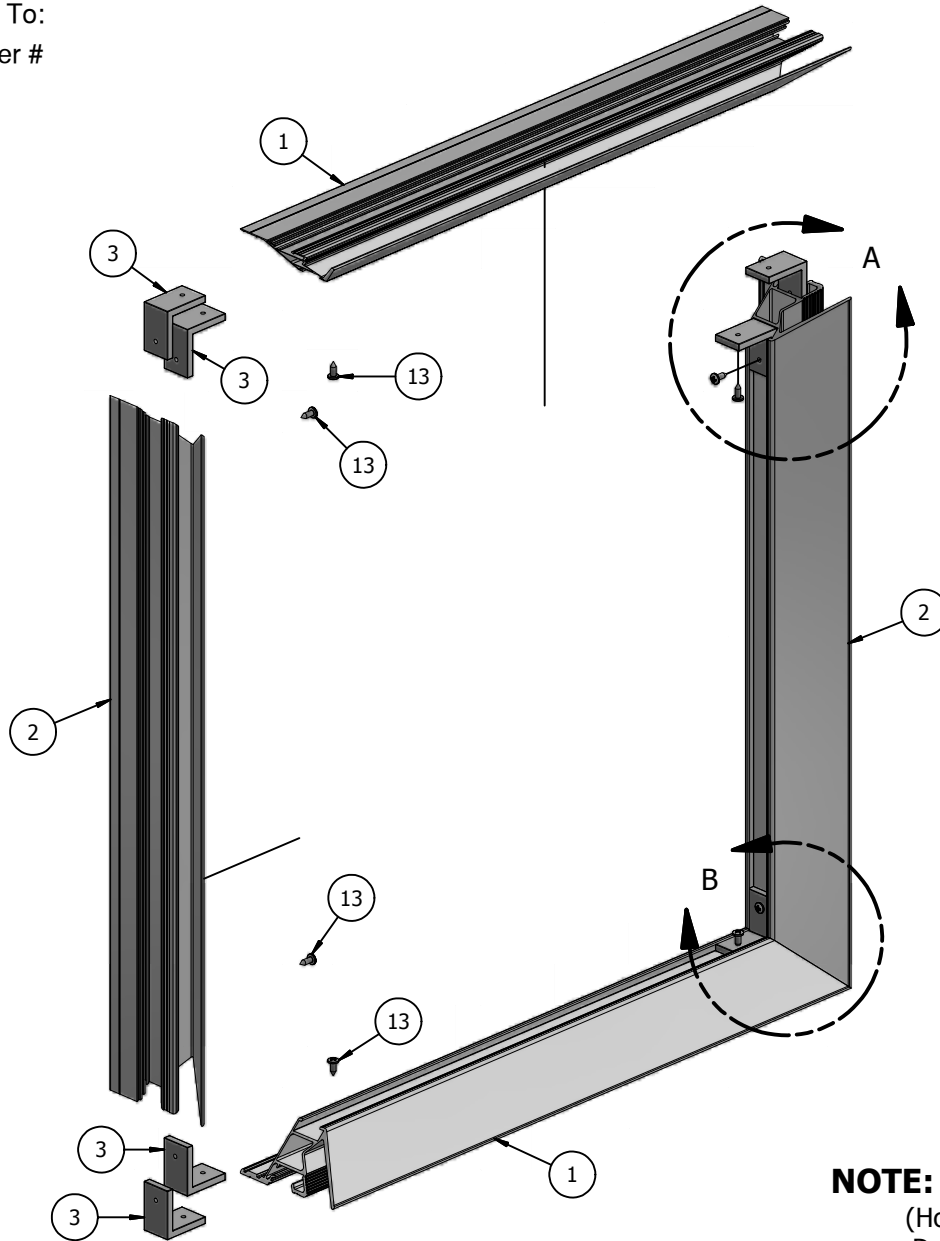
SignComp

Flat Wall Mount Retro Body - Assembly

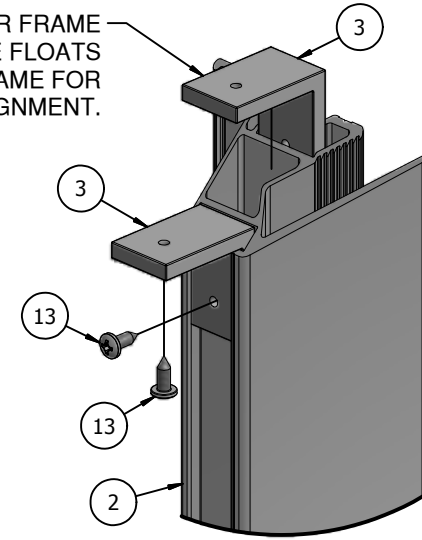
PART NO	K2042	REV
---------	--------------	-----

ITEM	PART #	DESCRIPTION	NOTES
1	2107	Flat Bleed Retro Frame II	Top & Bottom
2	2107	Flat Bleed Retro Frame II	Sides
3	5305	Frame Corner Angle	Two (2) per corner
13	5218	Corner Angle Screw	#10 x 1/2" pan head tapping

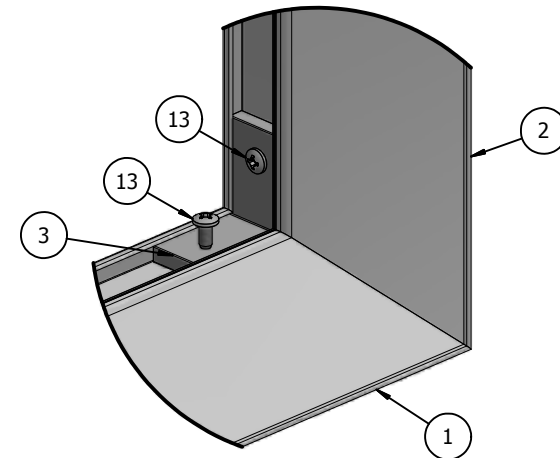
Ship To:
Sales Order #



THE OUTER FRAME
CORNER ANGLE FLOATS
IN THE FRAME FOR
ALIGNMENT.



DETAIL A



DETAIL B

NOTE: PRE-CUT KITS ARE NOT PRE-DRILLED.

(Holes shown in this drawing are for reference only.
Drilling of pilot holes are to be done by fabricator.)

THIS DRAWING WAS CREATED AT NO CHARGE TO ASSIST YOU IN VISUALIZING OUR PROPOSAL. THE DRAWING HEREIN IS THE PROPERTY OF SIGNCOMP. PERMISSION TO COPY OR REVISE THIS DRAWING OR TO USE THIS DRAWING FOR PRODUCTION IS STRICTLY PROHIBITED AND CAN ONLY BE COPIED, REVISED OR USED FOR PRODUCTION WITH THE EXPRESSED WRITTEN PERMISSION OF SIGNCOMP.

Part Name: Flat Bleed Retro Frame II - Assembly

Part Number: K2107

Revision:

Date: 1/30/2015

Drawing By: SBreihof

Sheet: 1 of 1

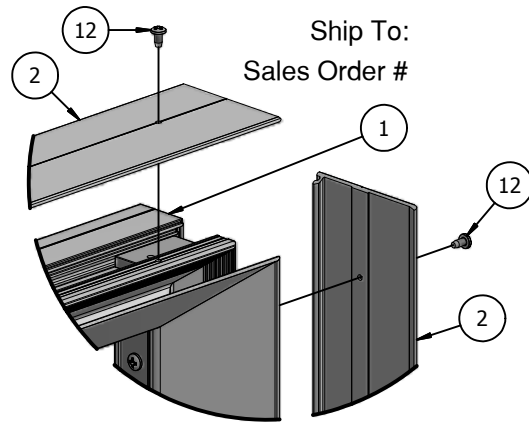
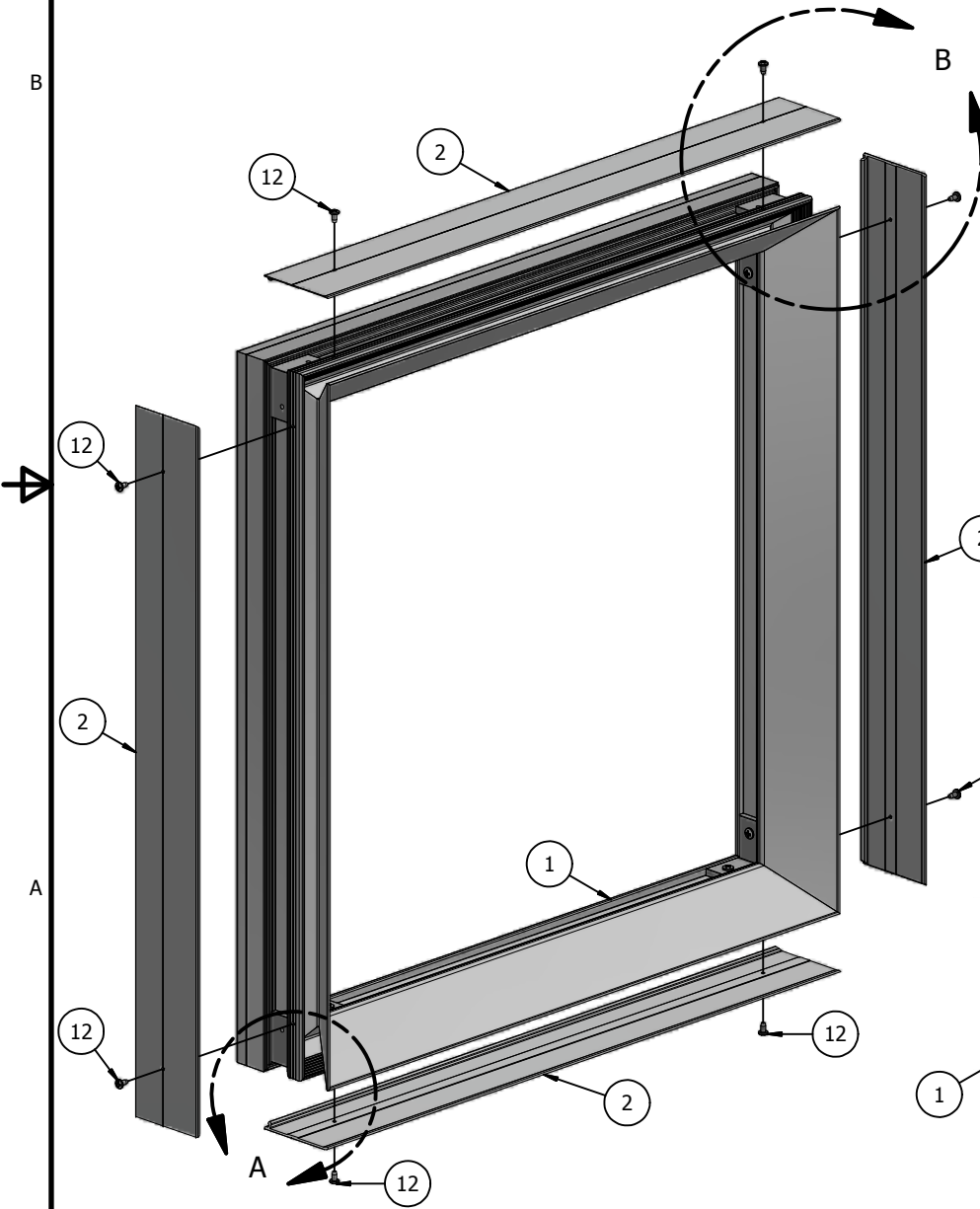
Size: A

SignComp

ITEM	PART #	DESCRIPTION	NOTES
1	2107	Flat Bleed Retro Frame II	Assembly
2	2121	Flat Bleed Retro Cover	All Sides
12	5195	Cover Screw	#8x5/16" Pre-drill 1/8" hole

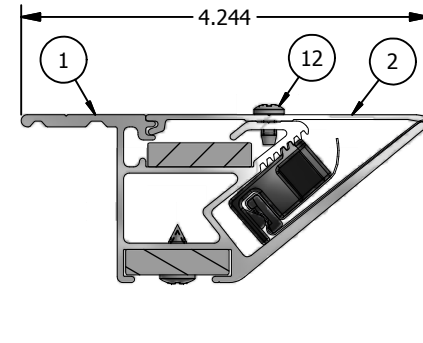
NOTE: PRE-CUT KITS ARE NOT PRE-DRILLED.

(Holes shown in this drawing are for reference only.
Drilling of pilot holes are to be done by fabricator.)

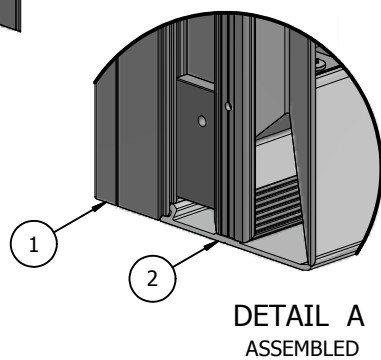


Ship To:
Sales Order #

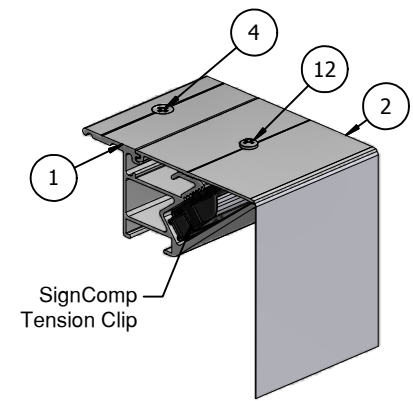
DETAIL B



ASSEMBLY CROSS-SECTION



DETAIL A
ASSEMBLED

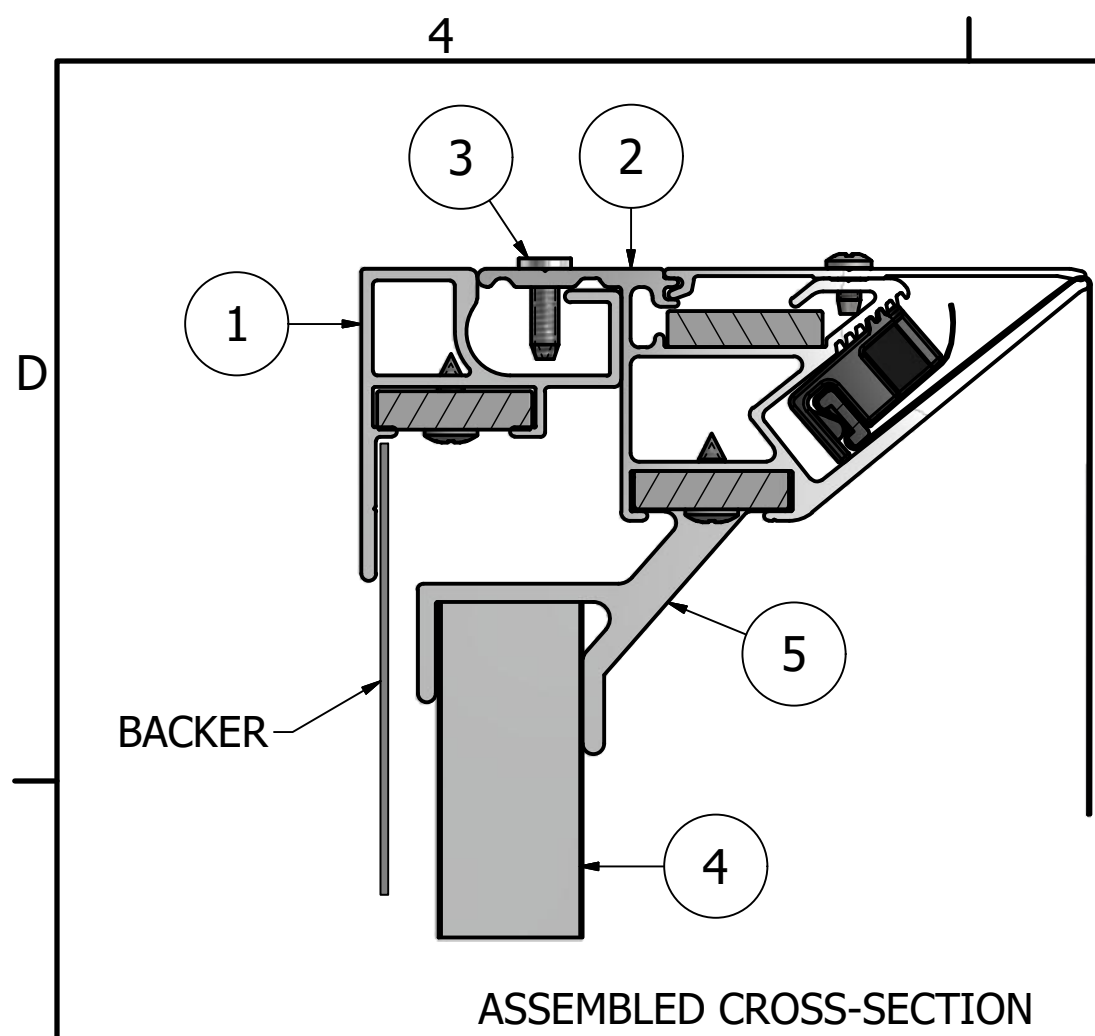


SignComp
Tension Clip

THIS DRAWING WAS CREATED AT NO CHARGE TO ASSIST YOU IN VISUALIZING OUR PROPOSAL. THE DRAWING HEREIN IS THE PROPERTY OF SIGNCOMP. PERMISSION TO COPY OR REVISE THIS DRAWING OR TO USE THIS DRAWING FOR PRODUCTION IS STRICTLY PROHIBITED AND CAN ONLY BE COPIED, REVISED OR USED FOR PRODUCTION WITH THE EXPRESSED WRITTEN PERMISSION OF SIGNCOMP.

Part Name:	Flat Bleed Retro Frame II/Bleed Cover - Assembly
Part Number:	K2107-21
Revision:	
Date:	1/30/2015
Sheet:	1 of 1
Size:	A
Sheet:	1 of 1
Drawing By:	SBreihof

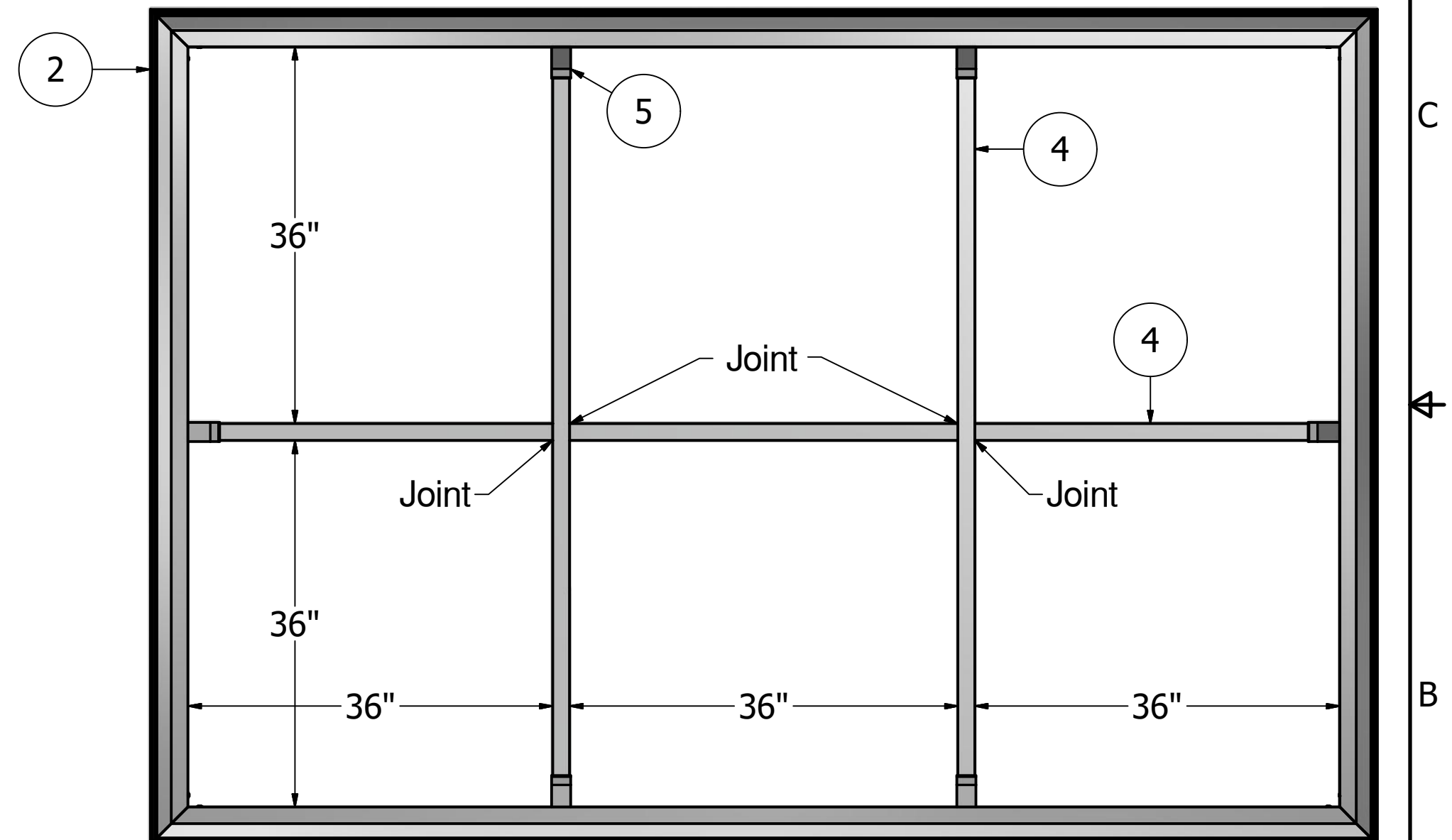
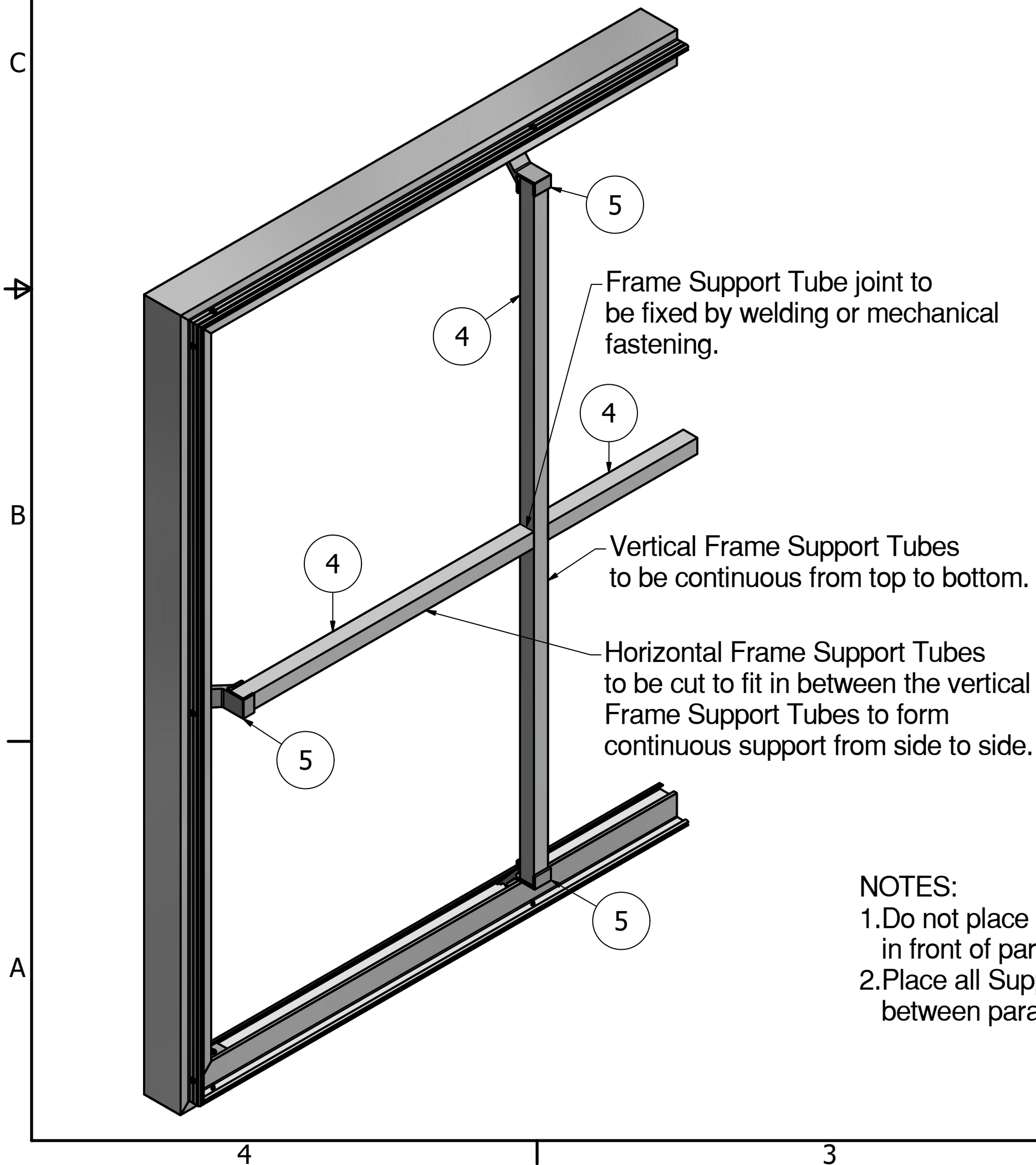
SignComp



Ship To:
Sales Order #

PARTS LIST			
ITEM	PART #	DESCRIPTION	NOTES
1	K2042	Flat Wall Mount Retro Body	Assembly
2	K2104-2121	Flat Bleed Retro Frame w/ Bleed Cover	Assembly
3	5178	Hinge/Closure Screw	
4	2177	Frame Support Tube	1" x 1" Sq Tube
5	5352	Small Frame Brace	

Compression Bracing for Flexible Vinyl Faces
Place a vertical Small Frame Brace and Frame Support Tube approximately every 36" on center. Cut and insert horizontal pieces of Frame Support Tube attached to Braces, approximately every 36" in between the vertical assemblies.



- NOTES:
1. Do not place Support Assemblies directly in front of parallel steel support structures.
 2. Place all Support Assemblies directly in between parallel lamps.

THIS DRAWING WAS CREATED AT NO CHARGE TO ASSIST YOU IN VISUALIZING OUR PROPOSAL. THE DRAWING HEREIN IS THE PROPERTY OF SIGNCOMP. PERMISSION TO COPY OR REVISE THIS DRAWING OR TO USE THIS DRAWING FOR PRODUCTION IS STRICTLY PROHIBITED AND CAN ONLY BE COPIED, REVISED OR USED FOR PRODUCTION WITH THE EXPRESSED WRITTEN PERMISSION OF SIGNCOMP.

DRAWING BY:	SBreihof	8/13/2013	SignComp
Centroid X:	0.000 in	Centroid Y:	
Principal Moments Ix:	0.000 in ⁴	Principal Moments Iy:	0.000 in ⁴
Section Modulus Ix:	0.000 in ³	Section Modulus Iy:	0.000 in ³
TITLE			Frame Support Placement
PART NO			5352 Small Frame Brace
REV			
SHEET			1 OF 1