

2



1

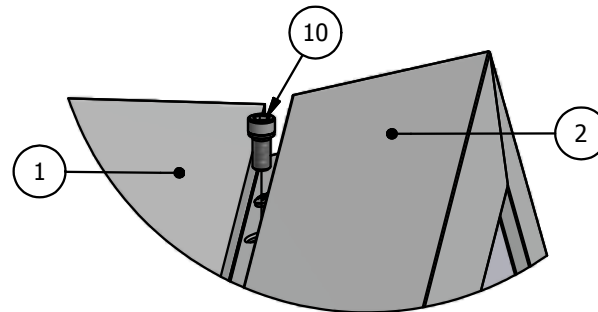
### PARTS LIST

ITEM	PART #	DESCRIPTION	NOTES
1	K2005	Wide Body	Assembly
2	K2086/84	Tension Frame II / 1-1/2" Frame Cover	Assembly
10	5170	Hinge Screw	Pre-drill a 3/8" hole - Top only 36" o/c
11	5180	Closure Screw	Pre-drill a 3/8" hole - Sides & Bottom 48" o/c

**NOTE: PRE-CUT KITS ARE NOT PRE-DRILLED.**

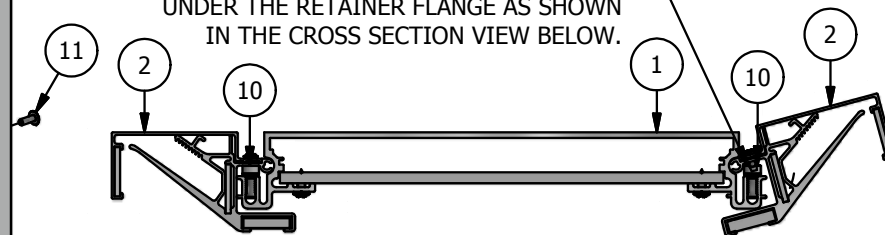
(Holes shown in this drawing are for reference only.  
Drilling of pilot holes are to be done by fabricator.)

Ship To:  
Sales Order #

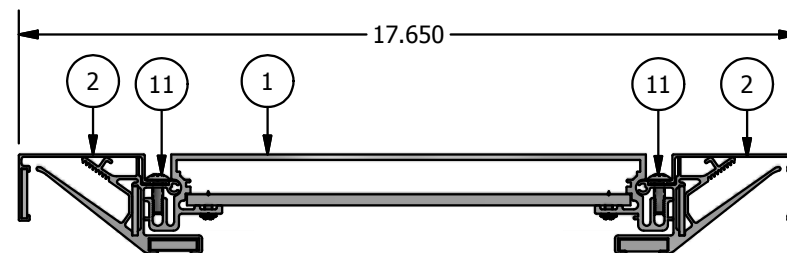


DETAIL A

DRIVE THE HINGE SCREW DOWN INTO THE BODY SO THE HEAD OF THE SCREW IS UNDER THE RETAINER FLANGE AS SHOWN IN THE CROSS SECTION VIEW BELOW.

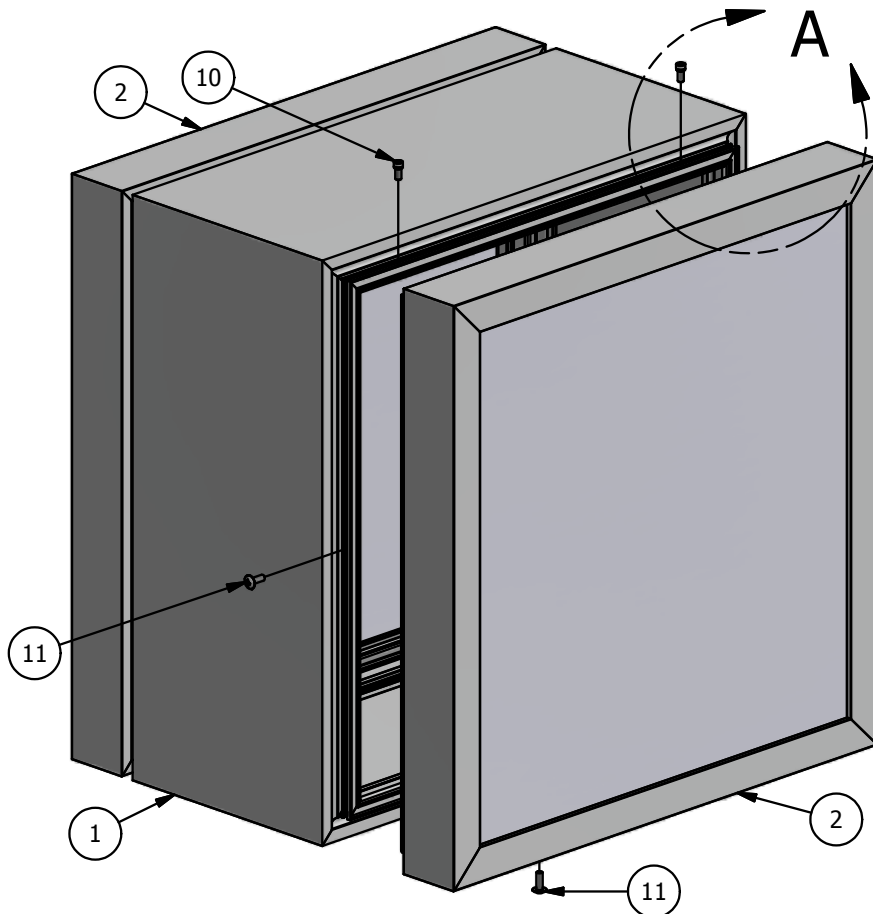
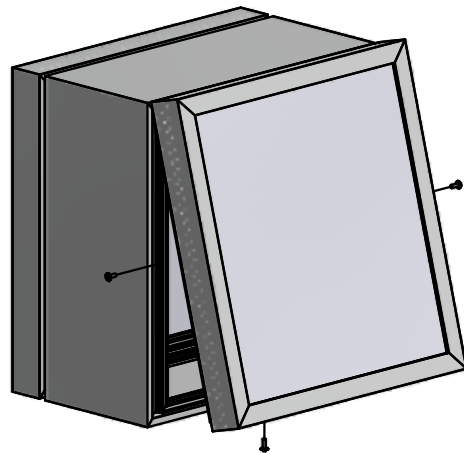


TOP CROSS-SECTION VIEW



SIDE CROSS-SECTION VIEW  
FRAME CLOSED

B



2



1

THIS DRAWING WAS CREATED AT NO CHARGE TO ASSIST YOU IN VISUALIZING OUR PROPOSAL. THE DRAWING HEREIN IS THE PROPERTY OF SIGNCOMP. PERMISSION TO COPY OR REVISE THIS DRAWING OR TO USE THIS DRAWING FOR PRODUCTION IS STRICTLY PROHIBITED AND CAN ONLY BE COPIED, REVISED OR USED FOR PRODUCTION WITH THE EXPRESSED WRITTEN PERMISSION OF SIGNCOMP.

Part Name: Wide Body w/ Tension Frame II & 1-1/2" Frame Cover

Part Number: KWB/86/84

Date: 6/17/2015

Sheet: 1 of 1

Size: A

Drawing By: SBreihof

**SignComp**

B

A

Parts List			
ITEM	PART #	DESCRIPTION	NOTES
1	2005	Wide Body	Top & Bottom
2	2005	Wide Body	Sides
3	5312	Wide Body Corner Angle	
13	5218	Corner Angle Screw	Drill 5/32" pilot hole

Ship To:  
Order Number:

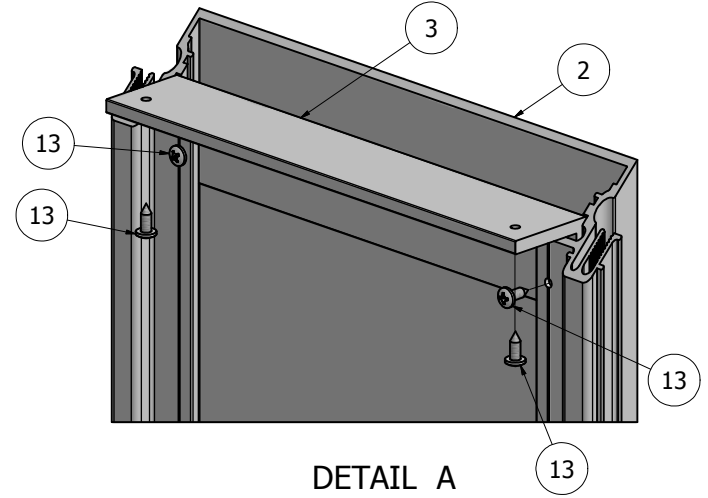
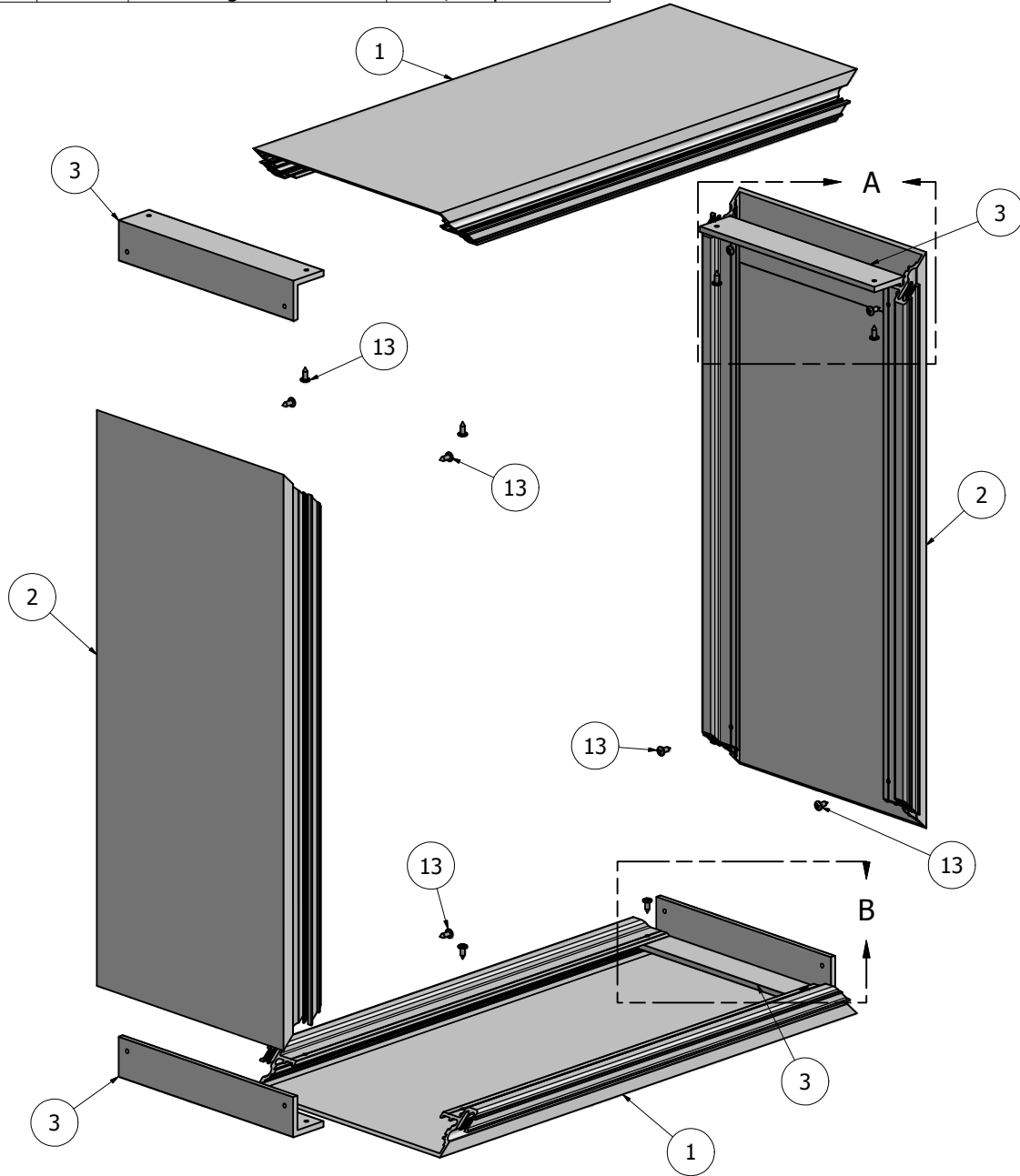
D

C

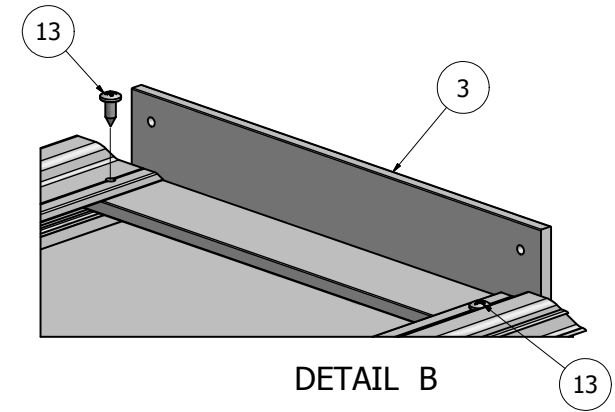
B

B

A



DETAIL A



DETAIL B

**NOTE: PRE-CUT KITS ARE NOT PRE-DRILLED.**

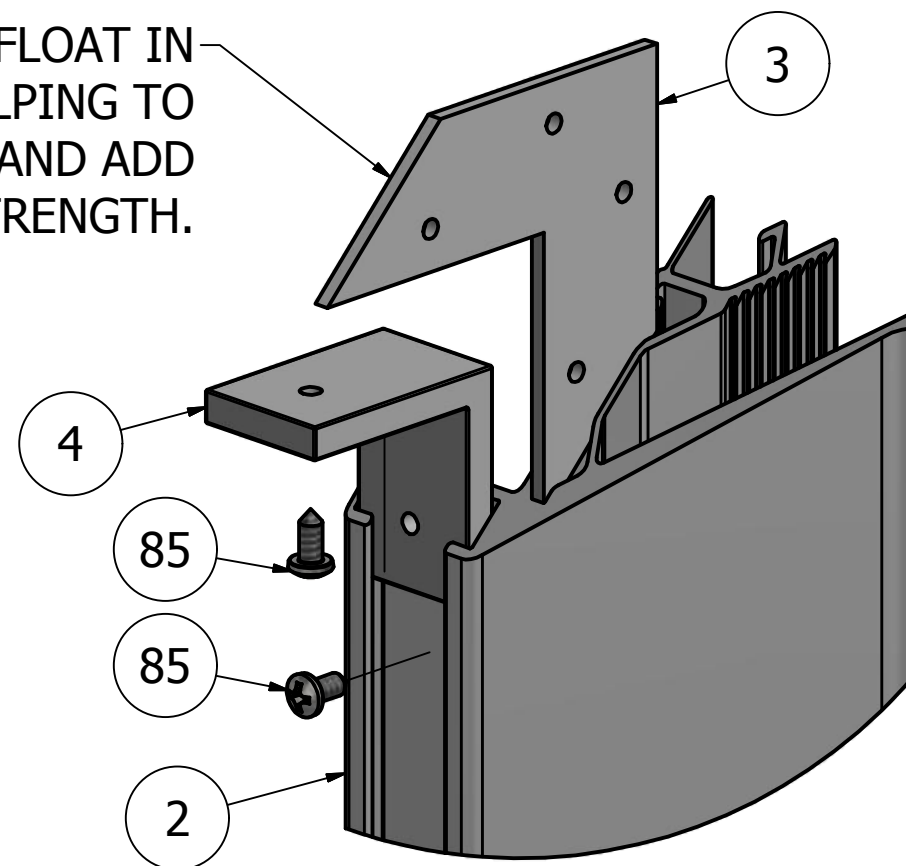
(Holes shown in this drawing are for reference only.  
Drilling of pilot holes are to be done by fabricator.)

THIS DRAWING WAS CREATED AT NO CHARGE TO ASSIST YOU IN VISUALIZING OUR PROPOSAL. THE DRAWING HEREIN IS THE PROPERTY OF SIGNCOMP. PERMISSION TO COPY OR REVISE THIS DRAWING OR TO USE THIS DRAWING FOR PRODUCTION IS STRICTLY PROHIBITED AND CAN ONLY BE COPIED, REVISED OR USED FOR PRODUCTION WITH THE EXPRESSED WRITTEN PERMISSION OF SIGNCOMP.

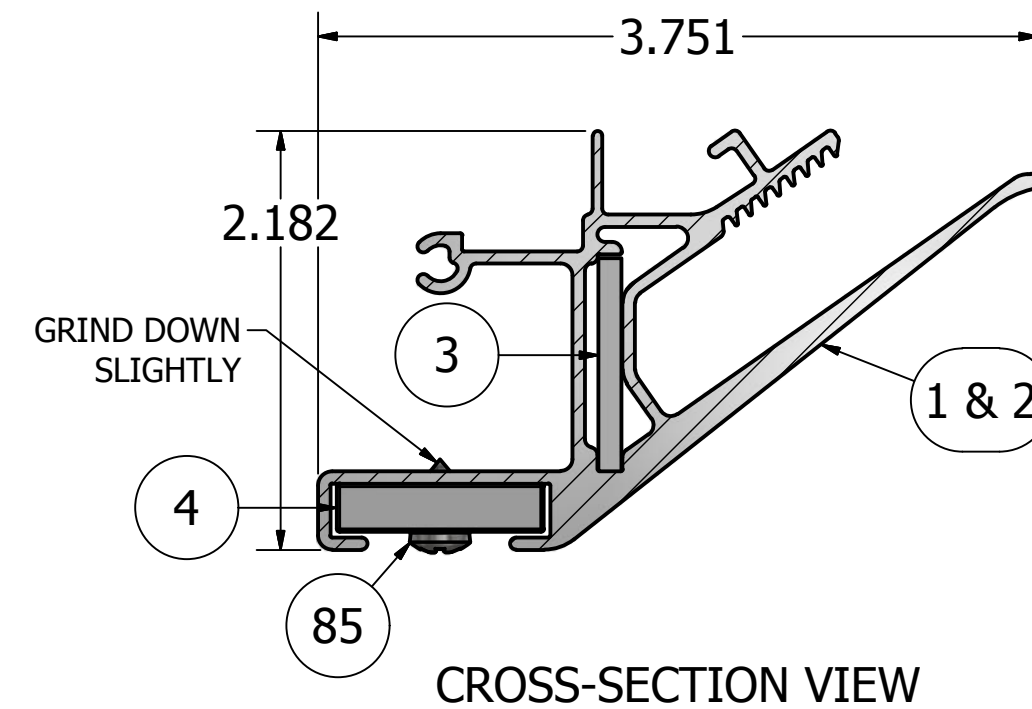
DRAWN	Sarah	3/5/2012	<b>SignComp</b>	
Centroid X:	0.000 in	TITLE		
Centroid Y:	0.000 in	Wide Body - Assembly		A
Principal Moments Ix:	0.000 in <sup>4</sup>	DWG NO	<b>K2005</b>	REV
Principal Moments Iy:	0.000 in <sup>4</sup>			
Section Modulus Ix:	0.000 in <sup>3</sup>			
Section Modulus Iy:	0.000 in <sup>3</sup>			

PARTS LIST			
ITEM	PART#	DESCRIPTION	NOTES
1	2086	Tension Frame II	Top & Bottom
2	2086	Tension Frame II	Sides
3	5210	Corner Key	
4	5305	Frame Corner Angle	
85	5218	Corner Angle Screw	Pre-drill 5/32" hole

THE CORNER KEYS FLOAT IN THE EXTRUSION HELPING TO ALIGN THE MITERS AND ADD STRENGTH.

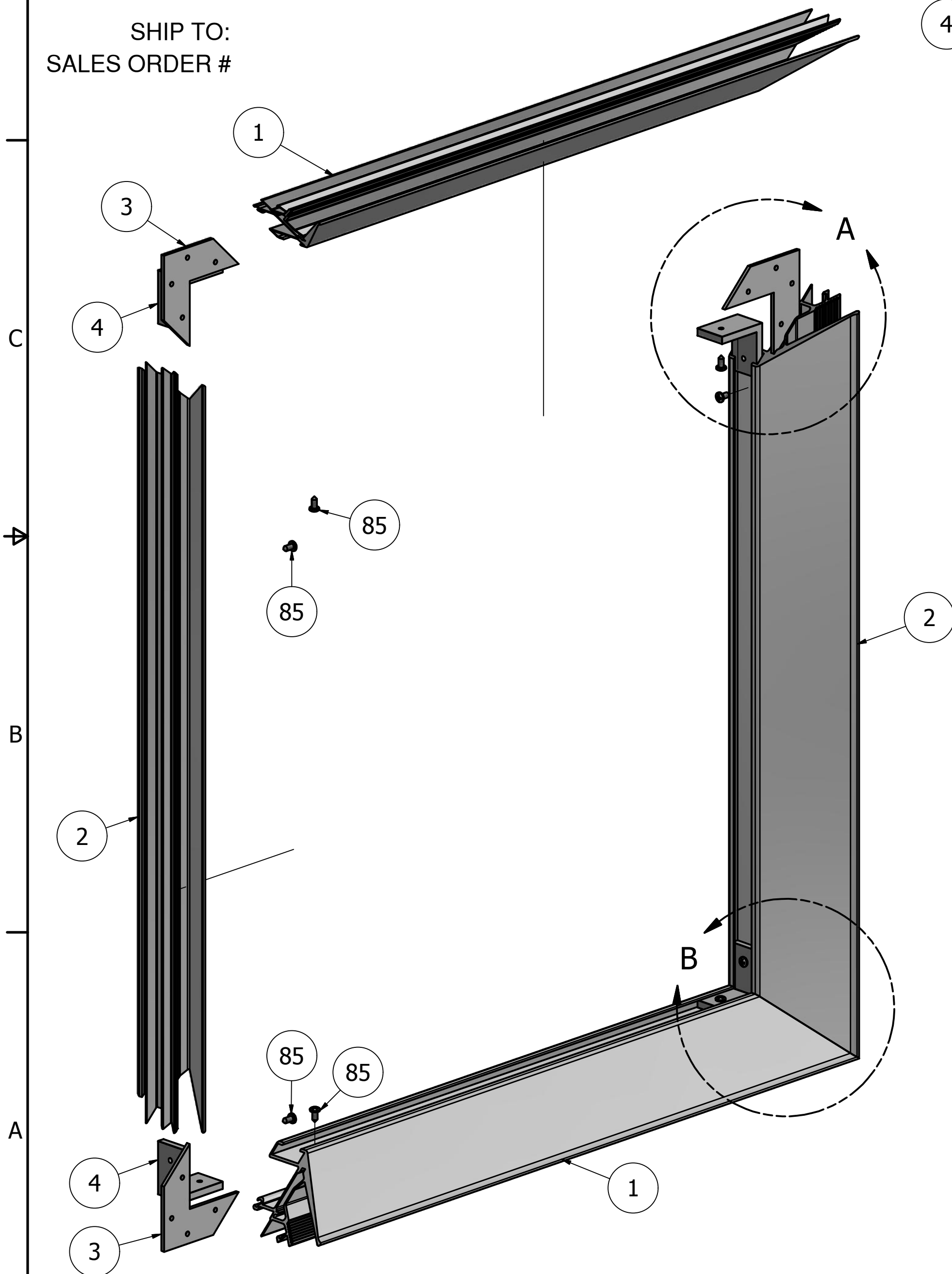


DETAIL A

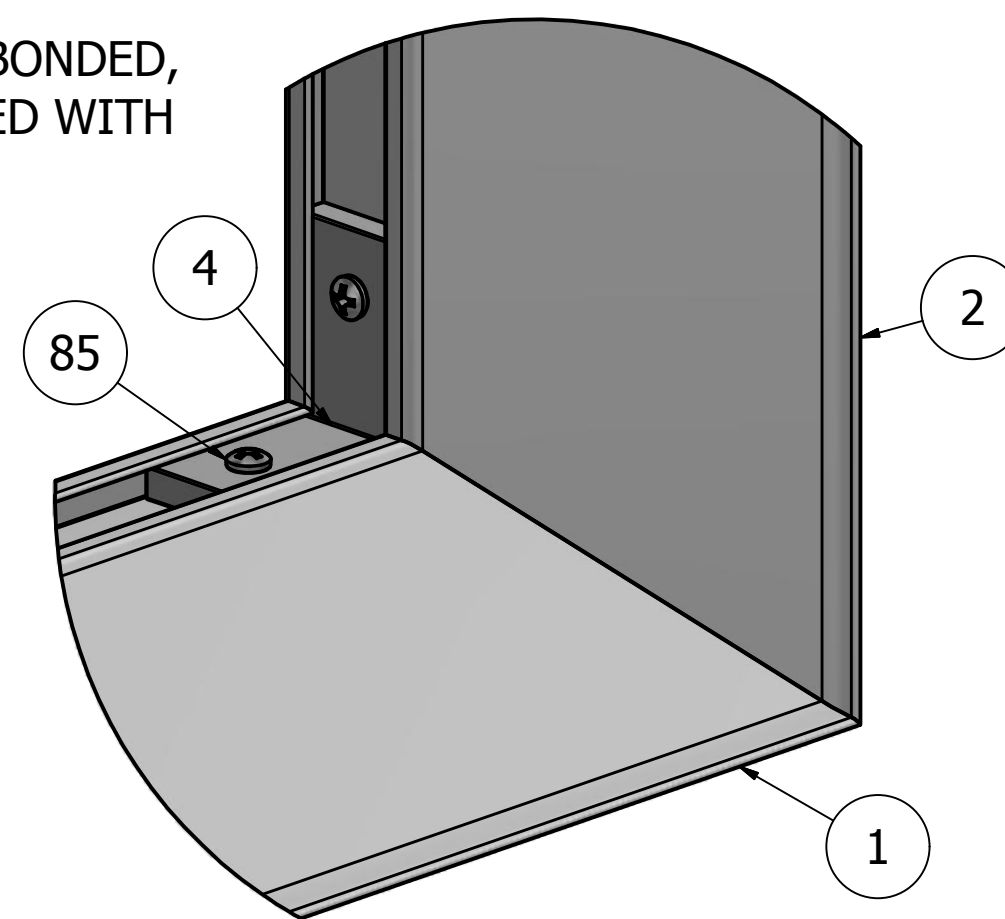


CROSS-SECTION VIEW

SHIP TO:  
SALES ORDER #



NOTE: THIS FRAME MAY BE BONDED, WELDED OR ASSEMBLED WITH FASTENERS.



DETAIL B

**NOTE: PRE-CUT KITS ARE NOT PRE-DRILLED.**  
(Holes shown in this drawing are for reference only.  
Drilling of pilot holes are to be done by fabricator.)

THIS DRAWING WAS CREATED AT NO CHARGE TO ASSIST YOU IN VISUALIZING OUR PROPOSAL. THE DRAWING HEREIN IS THE PROPERTY OF SIGNCOMP. PERMISSION TO COPY OR REVISE THIS DRAWING OR TO USE THIS DRAWING FOR PRODUCTION IS STRICTLY PROHIBITED AND CAN ONLY BE COPIED, REVISED OR USED FOR PRODUCTION WITH THE EXPRESSED WRITTEN PERMISSION OF SIGNCOMP.

DRAWING BY:	SBreihof	4/24/2014	<b>SignComp</b>
Centroid X:	0.000 in	Centroid Y:	
Principal Moments Ix:	0.000 in <sup>4</sup>	Principal Moments Iy:	0.000 in <sup>4</sup>
Section Modulus Ix:	0.000 in <sup>3</sup>	Section Modulus Iy:	0.000 in <sup>3</sup>
TITLE			Tension Frame II - Assembly
PART NO			<b>K2086</b>
REV			
SHEET			1 OF 1

2

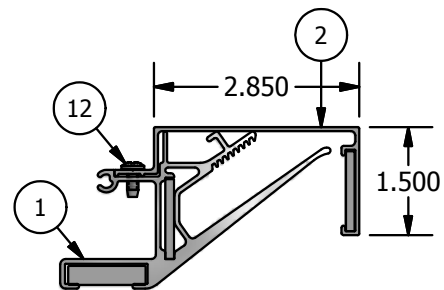
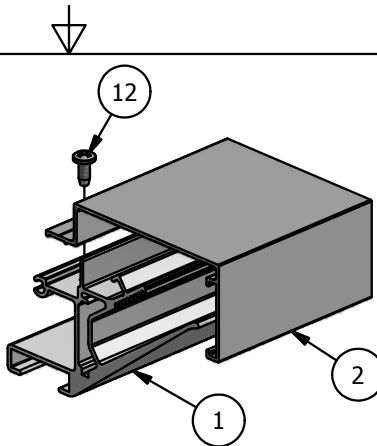
1

**PARTS LIST**

ITEM	PART #	DESCRIPTION	NOTES
1	K2086	Tension Frame II	Assembly
2	2084	1 1/2" Tension Frame Cover	All Sides
3	5210	Corner Key	
12	5195	Cover Screw	Pre-drill 1/8" holes 24" o/c

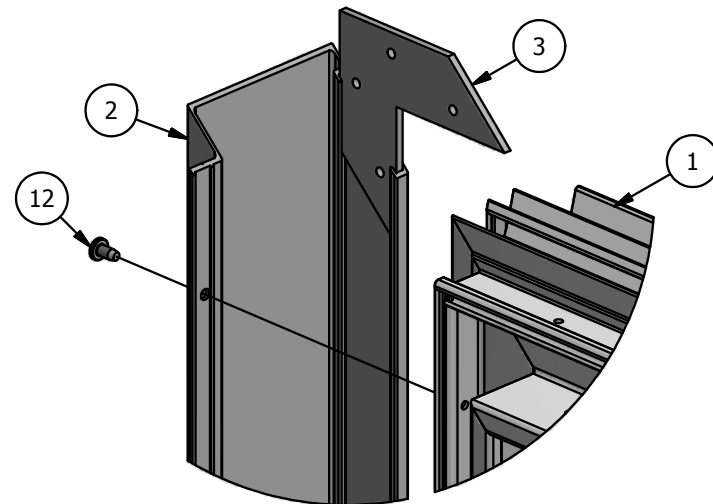
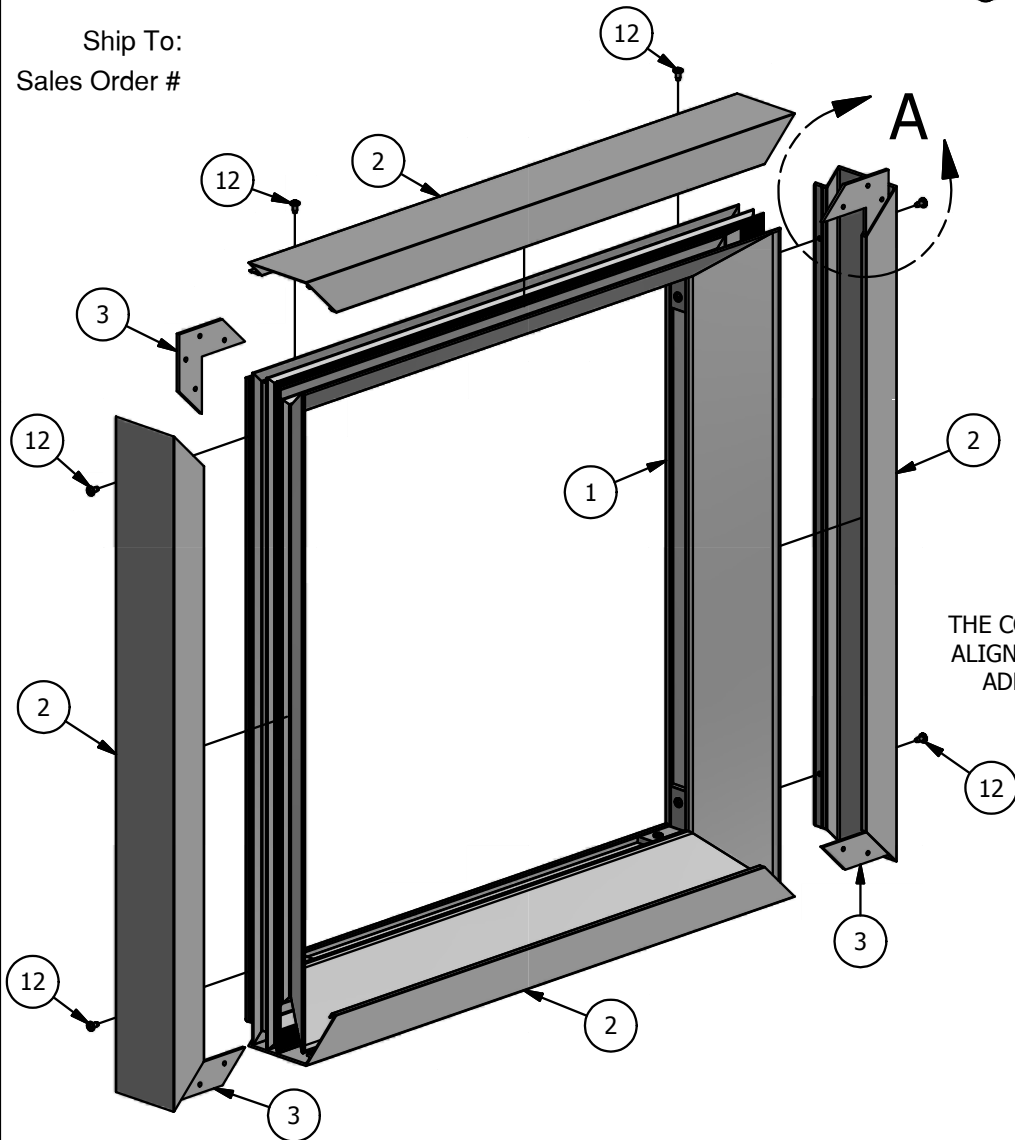
**NOTE: PRE-CUT KITS ARE NOT PRE-DRILLED.**

(Holes shown in this drawing are for reference only. Drilling of pilot holes are to be done by fabricator.)



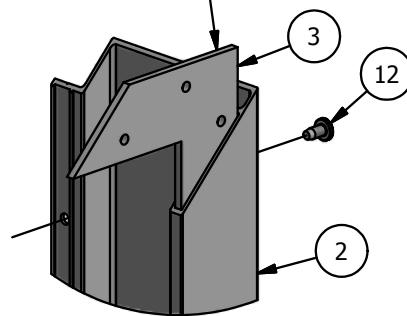
B

Ship To:  
Sales Order #

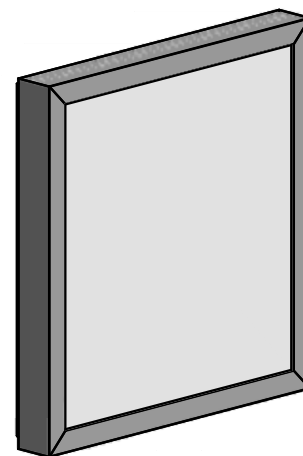


DETAIL A  
BACK VIEW

THE CORNER KEY HELPS  
ALIGN THE MITRES AND  
ADDS STRENGTH TO  
THE COVER.



DETAIL A  
FRONT VIEW



2

1

1

B

A

A

THIS DRAWING WAS CREATED AT NO CHARGE TO ASSIST YOU IN VISUALIZING OUR PROPOSAL. THE DRAWING HEREIN IS THE PROPERTY OF SIGNCOMP. PERMISSION TO COPY OR REVISE THIS DRAWING OR TO USE THIS DRAWING FOR PRODUCTION IS STRICTLY PROHIBITED AND CAN ONLY BE COPIED, REVISED OR USED FOR PRODUCTION WITH THE EXPRESSED WRITTEN PERMISSION OF SIGNCOMP.

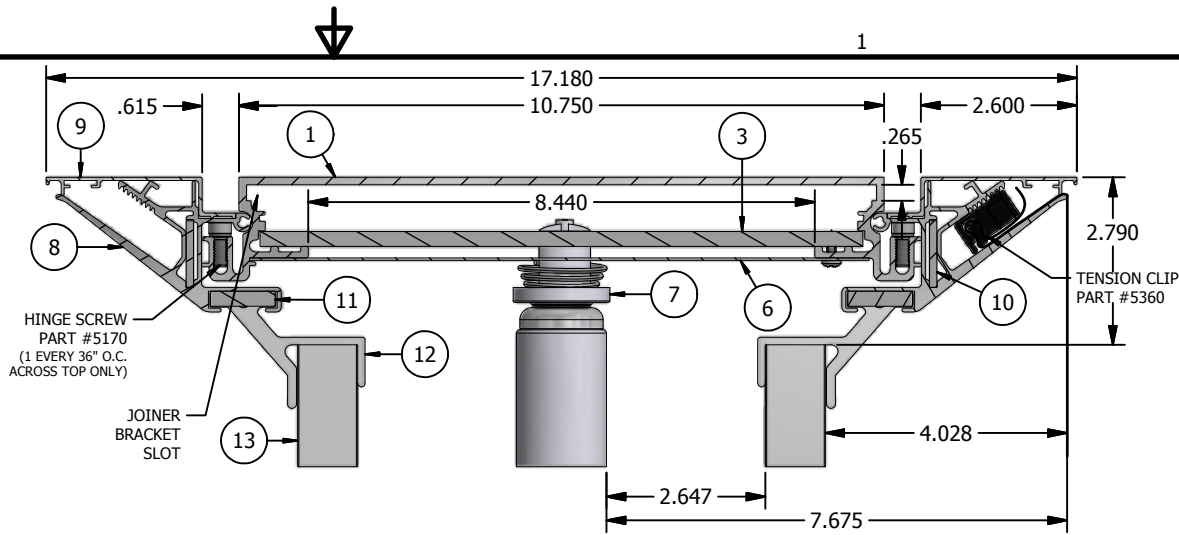
Part Name: **Part Name**  
 Part Number: **Part Number**  
 Revision: **Revision**  
 Date: **3/31/2015**  
 Drawing By: **SBreihof**  
 Sheet: **1 of 1**  
 Size: **A**



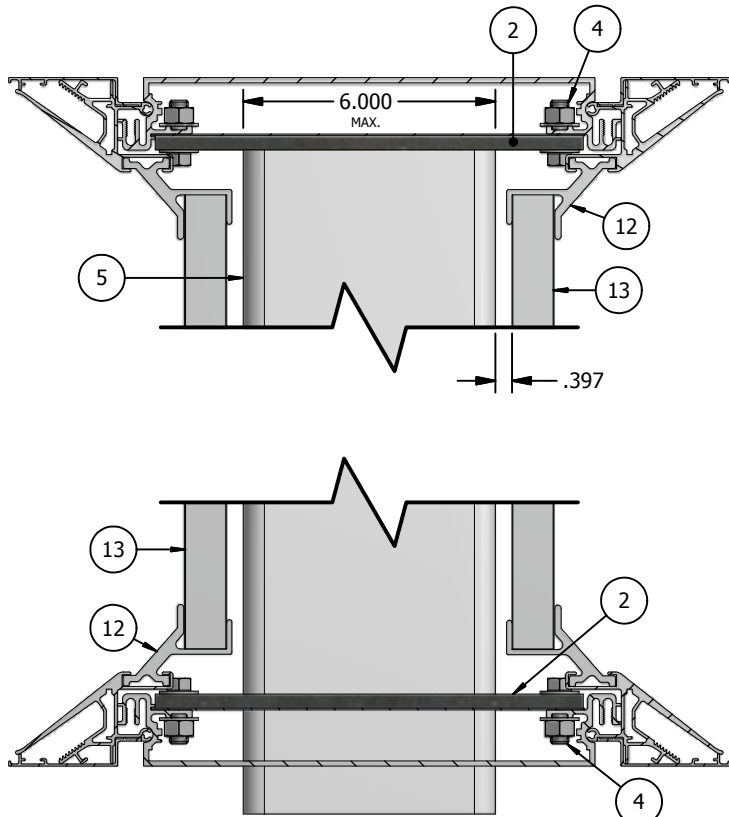
ITEM	PART #	DESCRIPTION
1	2005	Wide Body
2		WB Support Mounting Plate - By Other
3	5312	Wide Body Corner Angle
4		Main Support Plate Bolt Assembly
5		Main Support - By Other
6	5116	Raceway Cover - Blank
7	Lamp End	Lamp & Socket
8	2086	Tension Frame II
10	5210	Corner Key
11	5305	Frame Corner Angle
12	5352	Small Frame Brace
9	2095	Bleed Tension Frame Cover
13	2177	Small Frame Support Tube

**NOTE:**

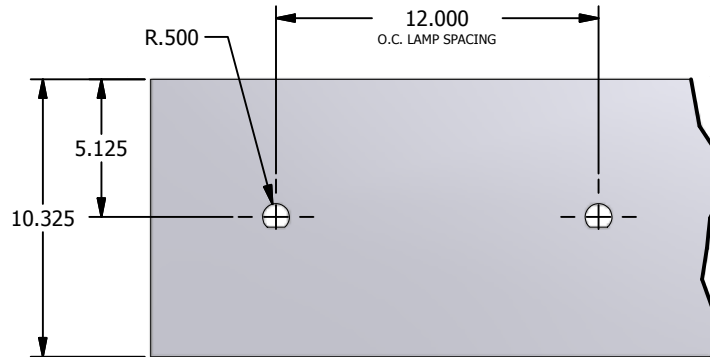
All structural detailing for sign construction is the sole responsibility of the sign contractor. All details shown here should be considered as **DESIGN INTENT ONLY**. The sign fabricator shall provide engineering drawings stamped by a licenced structural engineer.



SECTION VIEW - ELECTRICAL



SECTION VIEW - STRUCTURAL



RACEWAY D-PUNCH DETAIL

**NOTES:**

1. ADD 1" TO SIZE OF CABINET (VERTICAL OR HORIZONTAL) WHEN THE SIZE OF THE CABINET IS THE SAME SIZE AS THE NOMINAL LAMP LENGTH.
2. SIGNCOMP DOES NOT SUPPLY THE BALLAST(S).
3. SIGNCOMP DOES NOT SUPPLY MAIN SUPPORT.

THIS DRAWING WAS CREATED AT NO CHARGE TO ASSIST YOU IN VISUALIZING OUR PROPOSAL. THE DRAWING HEREIN IS THE PROPERTY OF SIGNCOMP. PERMISSION TO COPY OR REVISE THIS DRAWING OR TO USE THIS DRAWING FOR PRODUCTION IS STRICTLY PROHIBITED AND CAN ONLY BE COPIED, REVISED OR USED FOR PRODUCTION WITH THE EXPRESSED WRITTEN PERMISSION OF SIGNCOMP.

Project Name:	WB w/ Tension Frame II & Cover - Cross Sect.
Sign Company:	SignComp
Revision:	9/17/2014
Drawing By:	SBreihof
Sheet:	1 of 1
Size:	A

**SignComp**