

2



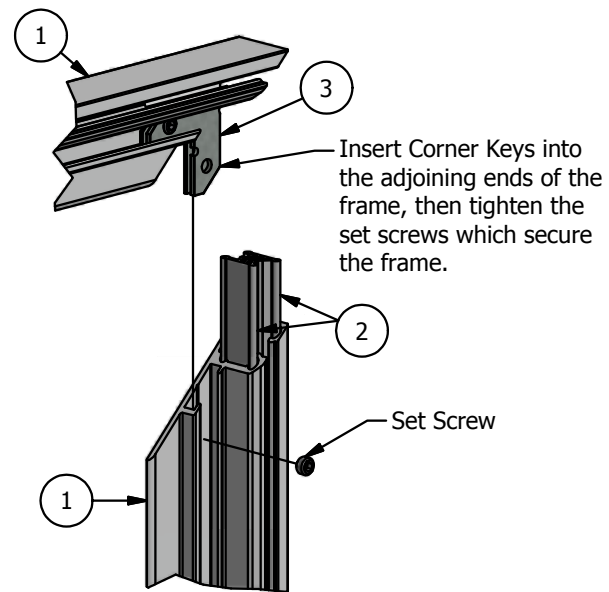
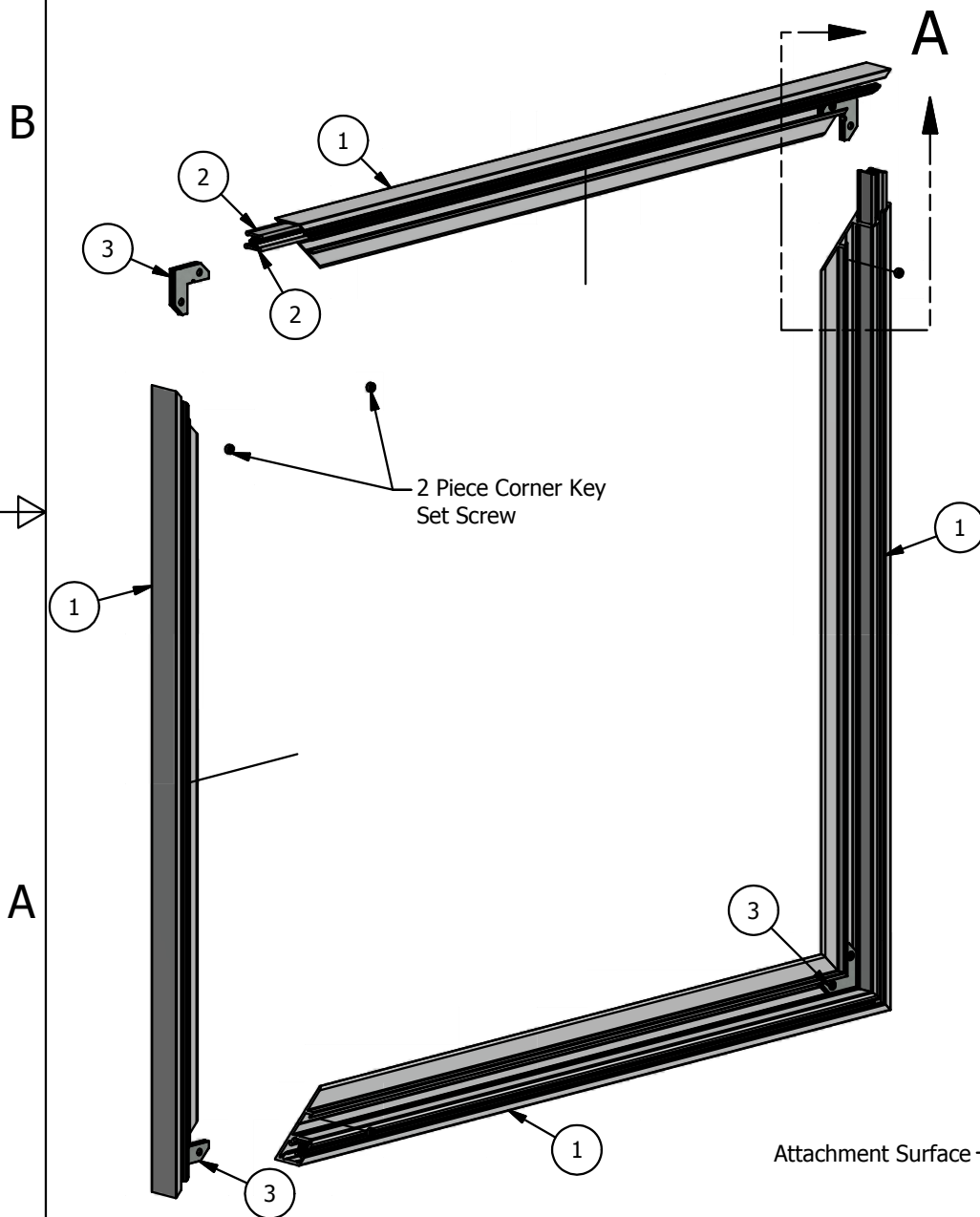
1

PARTS LIST

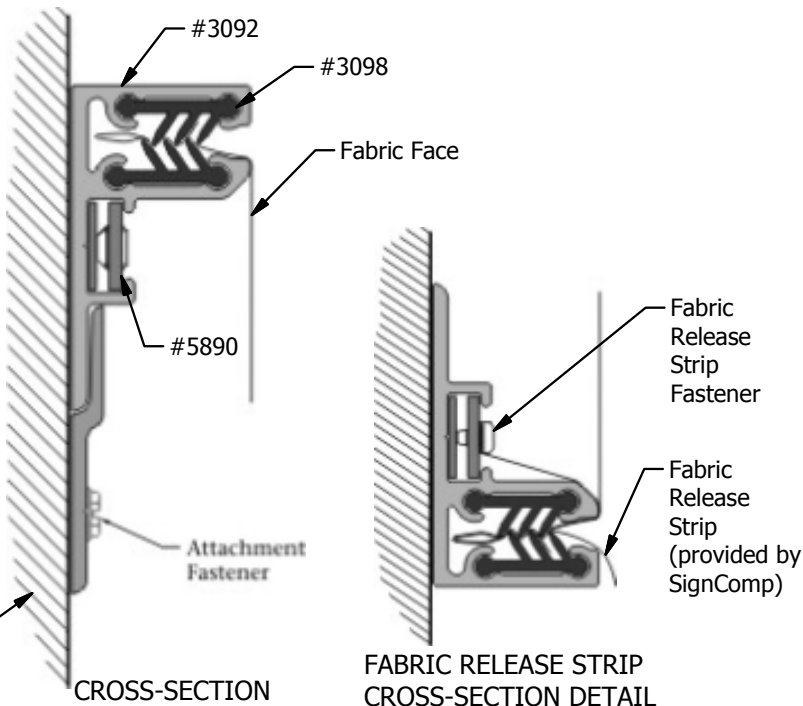
ITEM	PART #	DESCRIPTION	NOTES
1	3092	Front Load Soft Signage Frame	All Sides
2	3098	Soft Signage 2 Piece Grip Strip	Two(2) per sides
3	5890	2 Piece Corner Key	One(1) per frame corner

NOTE: PRE-CUT KITS ARE NOT PRE-DRILLED.

(Holes shown in this drawing are for reference only. Drilling of pilot holes are to be done by fabricator.)



DETAIL A



THIS DRAWING WAS CREATED AT NO CHARGE TO ASSIST YOU IN VISUALIZING OUR PROPOSAL. THE DRAWING HEREIN IS THE PROPERTY OF SIGNCOMP. PERMISSION TO COPY OR REVISE THIS DRAWING OR TO USE THIS DRAWING FOR PRODUCTION IS STRICTLY PROHIBITED AND CAN ONLY BE COPIED, REVISED OR USED FOR PRODUCTION WITH THE EXPRESSED WRITTEN PERMISSION OF SIGNCOMP.

Project Name:	Front Load Soft Signage - Assembly
Sign Company:	K3092
Revision:	
Date:	12/2/2016
Sheet:	1 of 1
Size:	A
Drawing By:	SBreihof

SignComp

B

B

A

A

2



1