

Features & Benefits

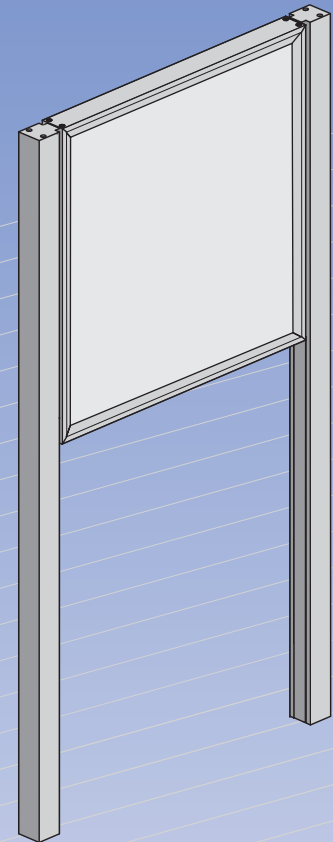
The Series 2 Beveled Frame is a 2" deep frame that utilizes a single panel. The panel can be used for a single face or double face application. The frame can integrate with any of the 12 post options below. Available in Mill Finish or Bronze Finish.

Answers to FAQ's

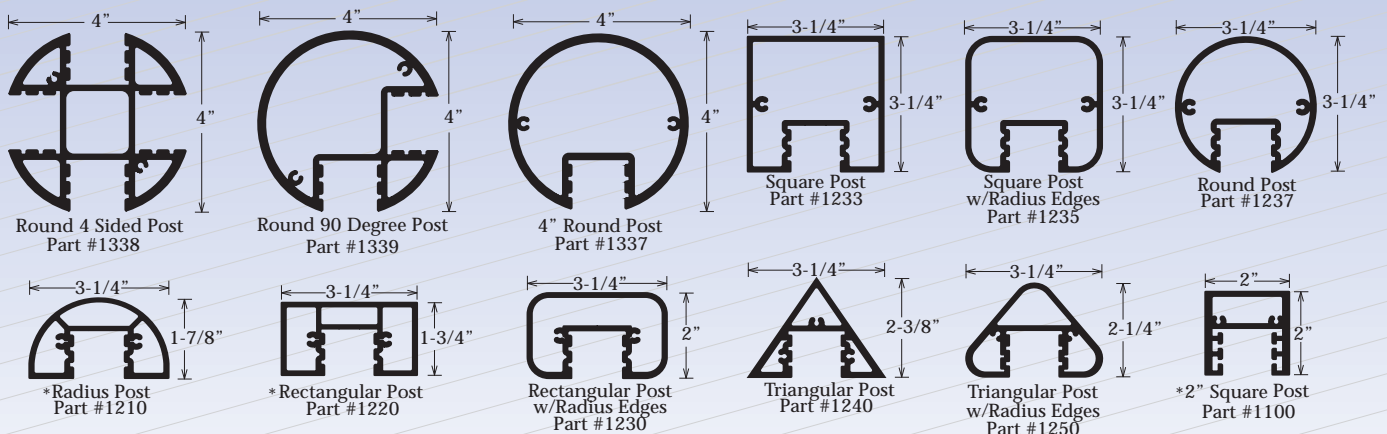
- Recommended panel thickness .100 or 2mm.
- Face material trim size - Deduct 1" from frame's height and width to get the panel size.

Optional Item

- Face material. (Available in Mill Finish only.)



12 Post Options



* Post options available in a Bronze Finish