

Features & Benefits

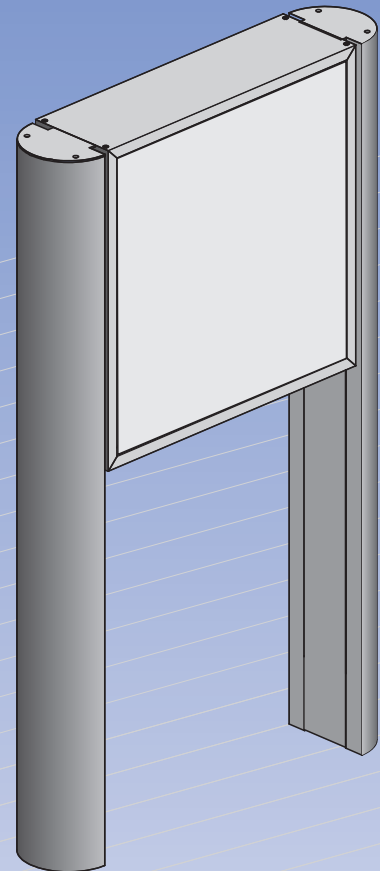
The Series 7 Slide Body gives the post and panel a framed appearance. The top and bottom body sections are pre-drilled and countersunk to allow for the panels to be easily changed. The body can integrate with any of the 3 post options below. This is available in a Mill Finish.

Answers to FAQ's

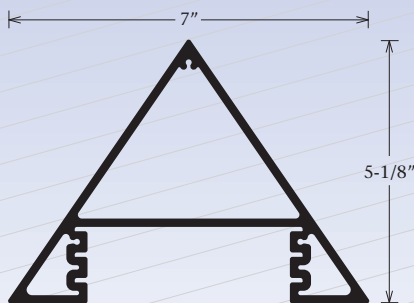
- Recommended panel thickness .100.
- Deduct 3/8" from the bodies height and width to get the panel size.

Optional Items

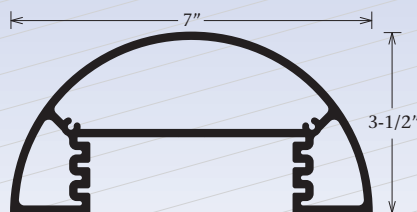
- Face material



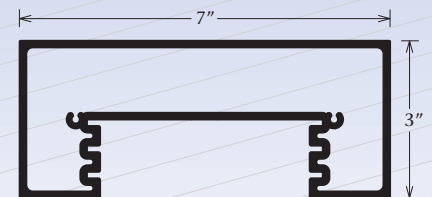
3 Post Options



Triangular Post
 Part #1530



Radius Post
 Part #1500



Rectangular Post
 Part #1510