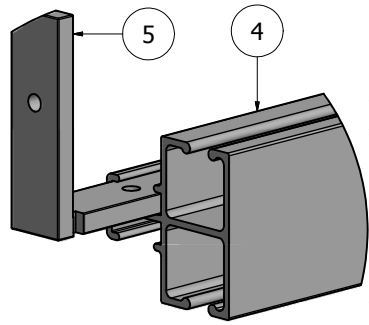
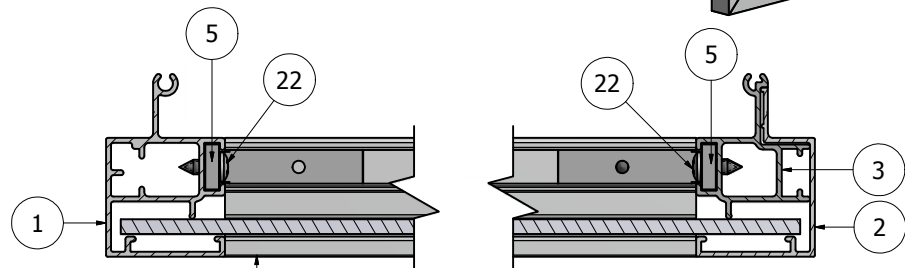
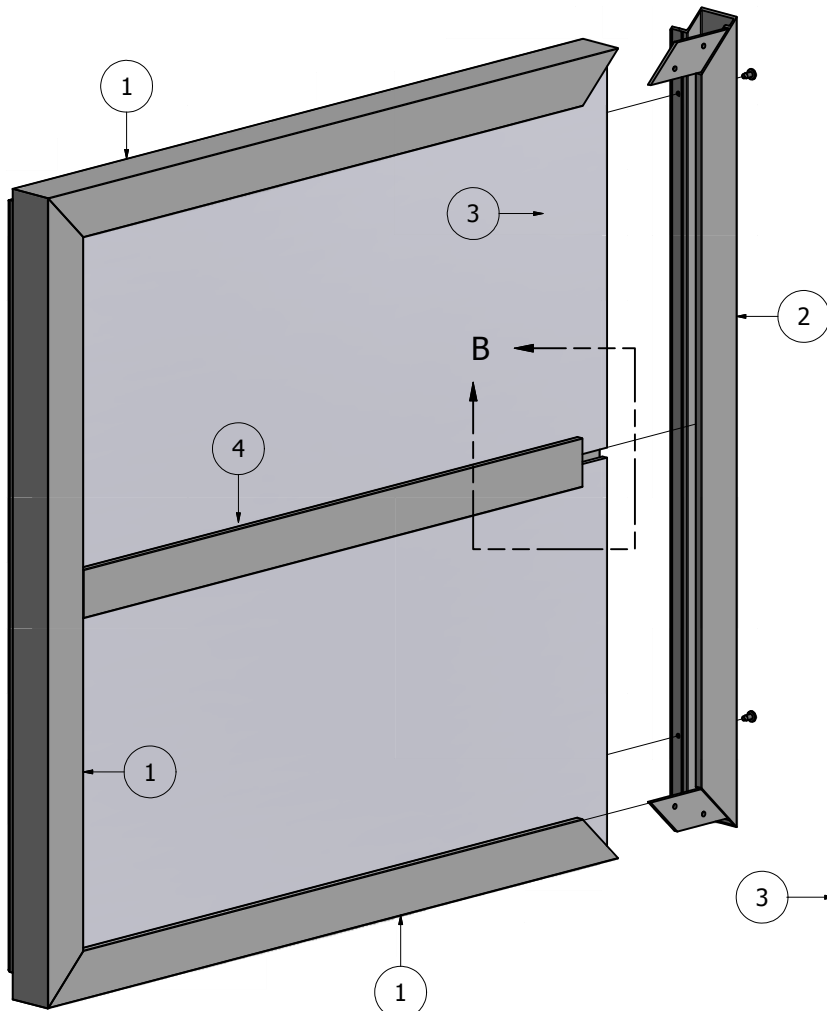
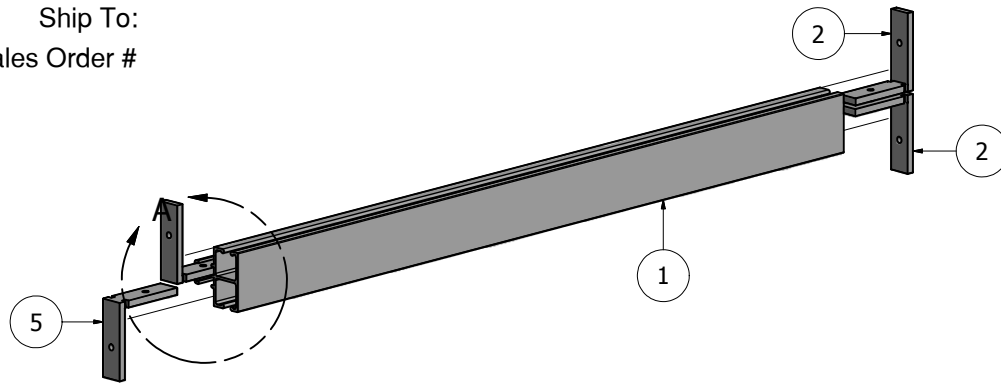


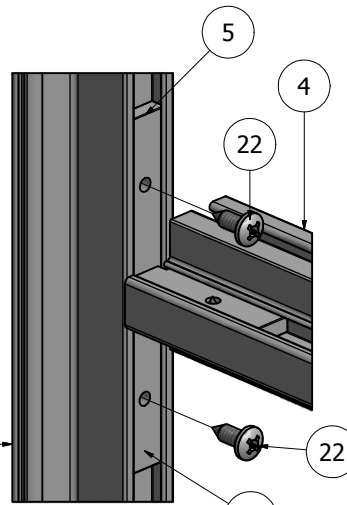
Ship To:
Sales Order #



DETAIL A



SIDE CROSS-SECTION
DIVIDER ANGLE ATTACHMENT



DETAIL B
BACK VIEW

NOTE: PRE-CUT KITS ARE NOT PRE-DRILLED.

(Holes shown in this drawing are for reference only.
Drilling of pilot holes are to be done by fabricator.)

PARTS LIST			
ITEM	PART#	DESCRIPTION	NOTES
1	2053	1 1/2" Retainer	
2	2073	1 1/2" Frame Cover	
3	2063	1 1/2" Frame	
4	2133	1 1/2" Divider	
5	5301	1 1/2" Divider Angle	
6		Face Material	By Other
22	5218	Divider Angle Screw	Drill 5/32" pilot hole

THIS DRAWING WAS CREATED AT NO CHARGE TO ASSIST YOU IN VISUALIZING OUR PROPOSAL. THE DRAWING HEREIN IS THE PROPERTY OF SIGNCOMP. PERMISSION TO COPY OR REVISE THIS DRAWING OR TO USE THIS DRAWING FOR PRODUCTION IS STRICTLY PROHIBITED AND CAN ONLY BE COPIED, REVISED OR USED FOR PRODUCTION WITH THE EXPRESSED WRITTEN PERMISSION OF SIGNCOMP.

DRAWN	SBreihof	10/30/2012	SignComp
Centroid X:	0.000 in	TITLE	
Centroid Y:	0.000 in	1-1/2" Divider - Assembly	
Principal Moments Ix:	0.000 in ⁴	DWG NO	K2133
Principal Moments Iy:	0.000 in ⁴	REV	
Section Modulus Ix:	0.000 in ³	SHEET 1 OF 1	
Section Modulus Iy:	0.000 in ³		