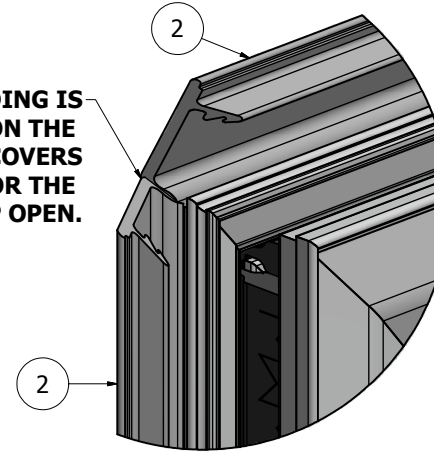


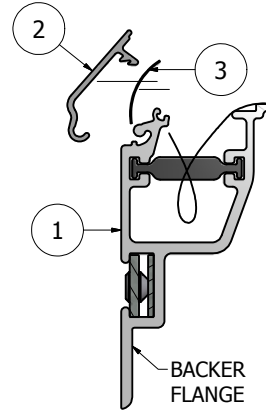
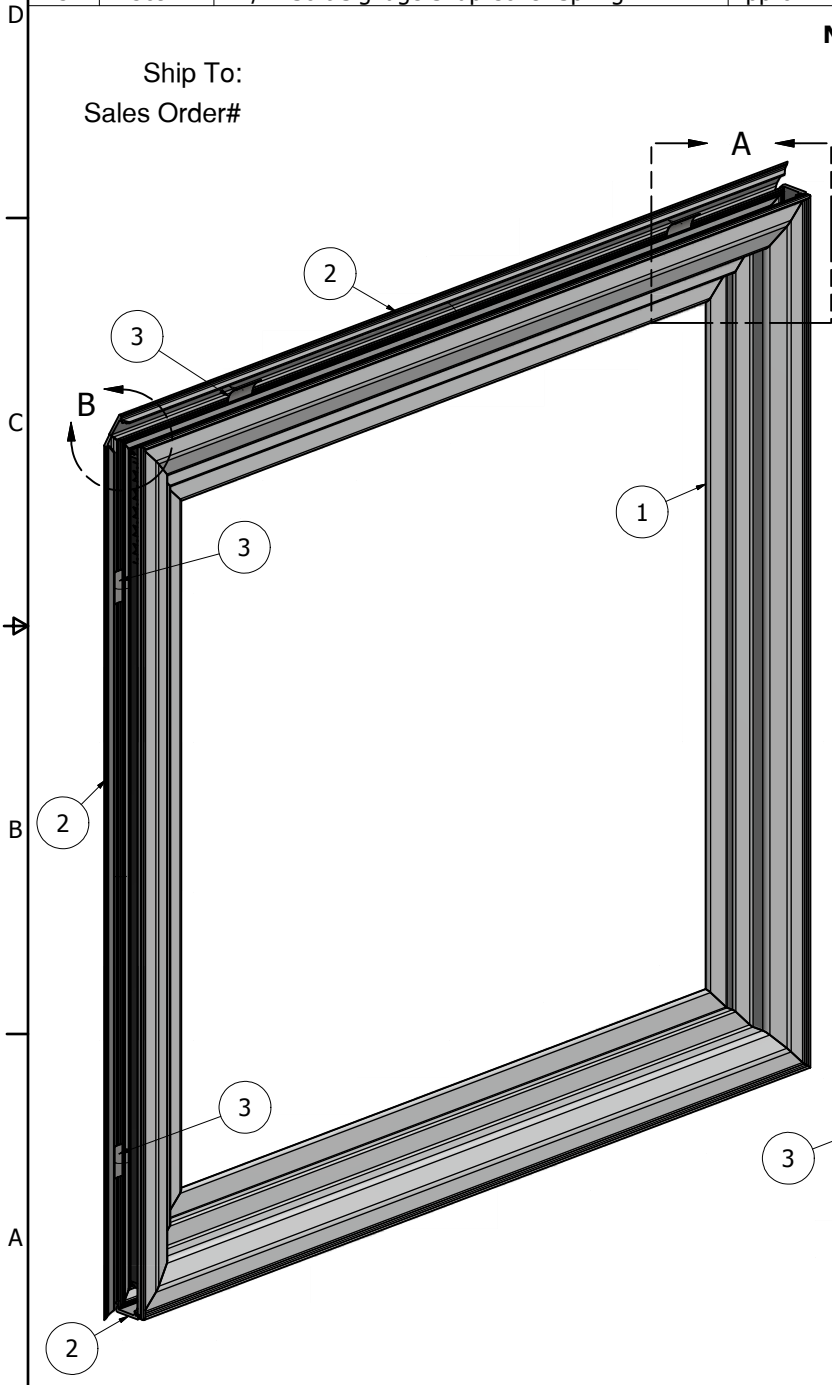
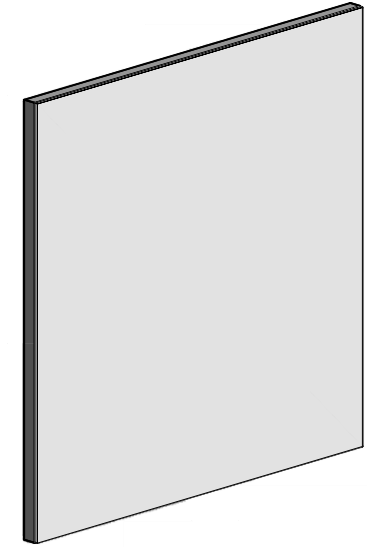
PARTS LIST			
ITEM	PART#	DESCRIPTION	NOTES
1	K3091N	1-1/4" Soft Signage Snap Tension Frame	Assembly
2	3094N	1-1/4" Soft Signage Snap Tension Frame Cover	All Sides
3	5894	1-1/4" Soft Signage Snap Cover Spring	Approx. 18" on center

Ship To:
Sales Order#

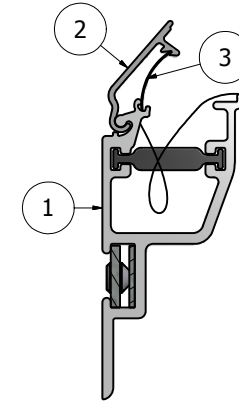
NOTE: BACK GRINDING IS REQUIRED ON THE ENDS OF THE COVERS IN ORDER FOR THE COVERS TO SNAP OPEN.



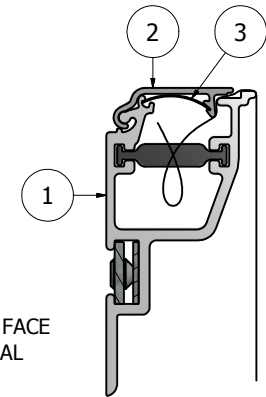
DETAIL B



CROSS-SECTION VIEW A



CROSS-SECTION VIEW B



CROSS-SECTION VIEW C

NOTE: PRE-CUT KITS ARE NOT PRE-DRILLED.

(Holes shown in this drawing are for reference only. Drilling of pilot holes are to be done by fabricator.)

THIS DRAWING WAS CREATED AT NO CHARGE TO ASSIST YOU IN VISUALIZING OUR PROPOSAL. THE DRAWING HEREIN IS THE PROPERTY OF SIGNCOMP. PERMISSION TO COPY OR REVISE THIS DRAWING OR TO USE THIS DRAWING FOR PRODUCTION IS STRICTLY PROHIBITED AND CAN ONLY BE COPIED, REVISED OR USED FOR PRODUCTION WITH THE EXPRESSED WRITTEN PERMISSION OF SIGNCOMP.

DRAWING BY:	SBreihof	3/7/2014
Centroid X:	0.000 in	
Centroid Y:	0.000 in	
Principal Moments Ix:	0.000 in ⁴	
Principal Moments Iy:	0.000 in ⁴	
Section Modulus Ix:	0.000 in ³	
Section Modulus Iy:	0.000 in ³	

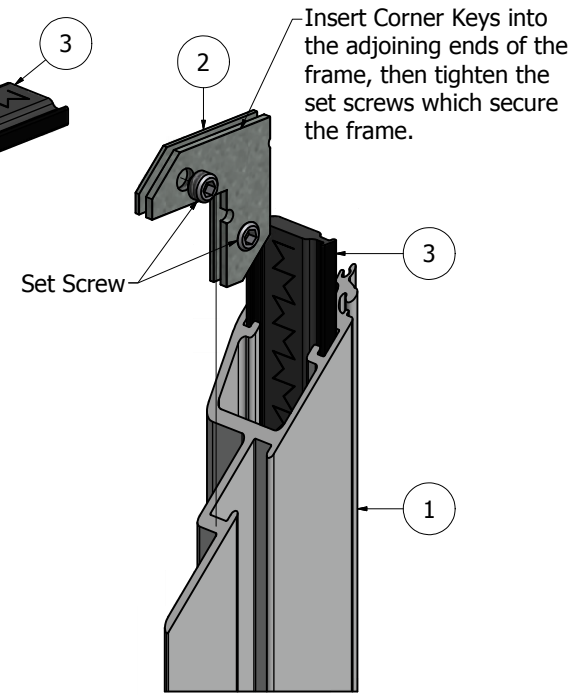
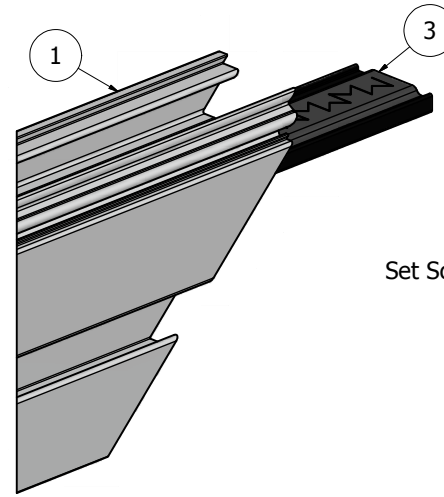
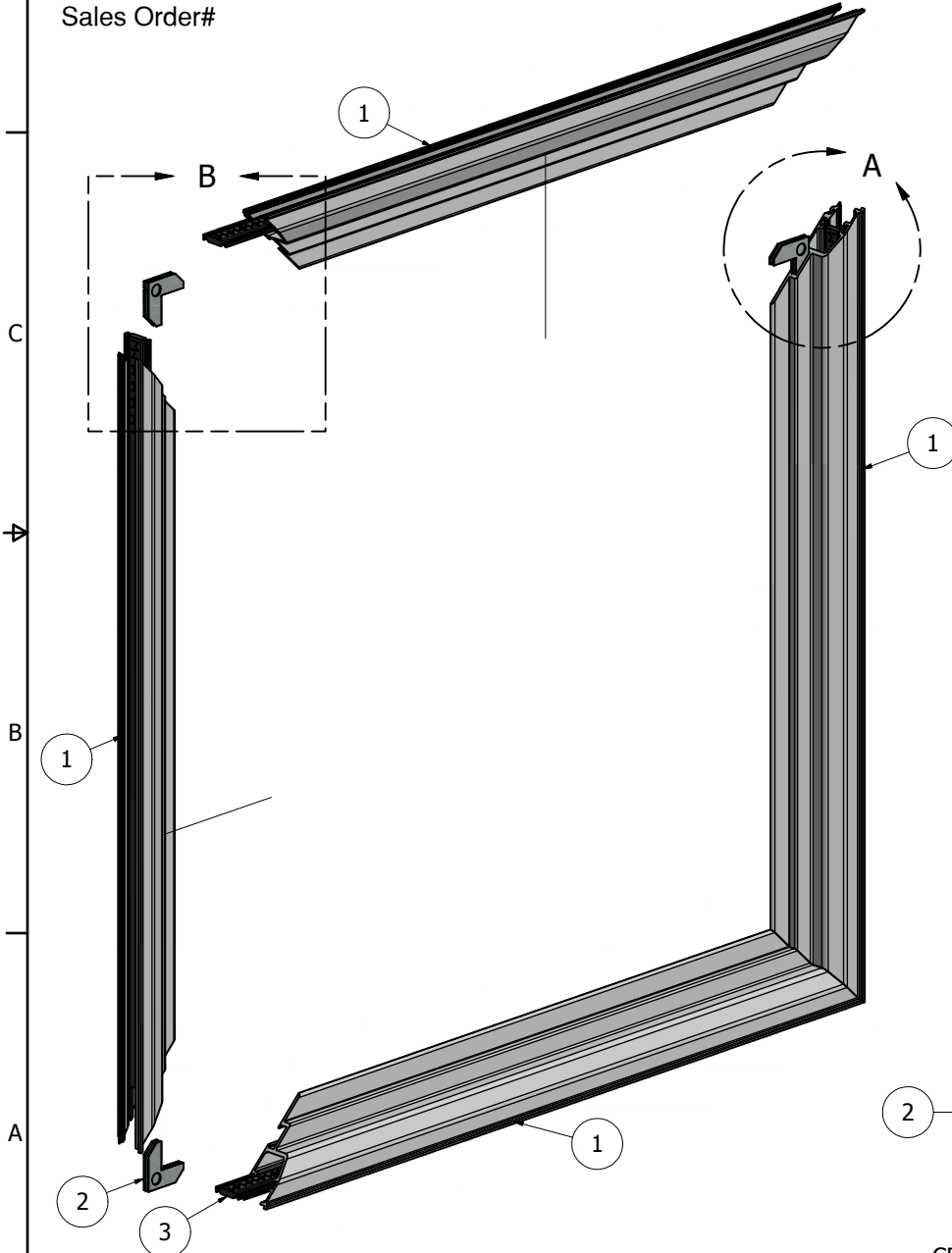
SignComp

TITLE
1-1/4" Soft Signage Snap Tension Frame and Snap Cover - Assembly

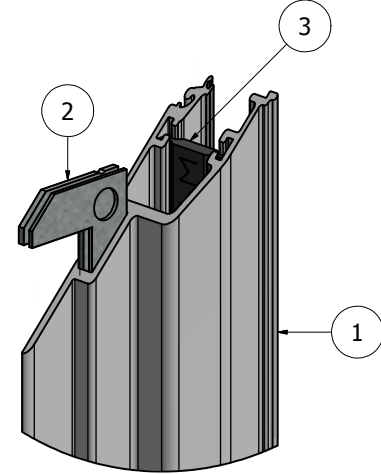
PART NO
K3091N-94N

PARTS LIST			
ITEM	PART #	DESCRIPTION	NOTES
1	3091N	1-1/4" Soft Signage Snap Tension Frame	All Sides
2	5890	2 Piece Corner Key	Front, Back and 1/4-20 Screws
3	3097	Soft Signage Grip Strip II	

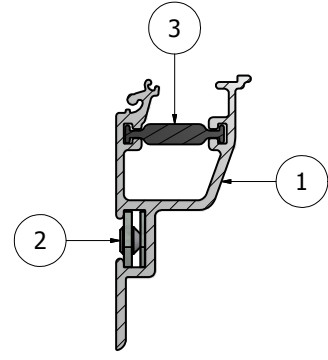
Ship To:
Sales Order#



DETAIL B
BACK VIEW



DETAIL A



CROSS-SECTION VIEW

NOTE: PRE-CUT KITS ARE NOT PRE-DRILLED.
(Holes shown in this drawing are for reference only.
Drilling of pilot holes are to be done by fabricator.)

DRAWING BY: SBreihof 3/7/2014		SignComp
Centroid X: 0.000 in	Centroid Y: 0.000 in	
Principal Moments Ix: 0.000 in ⁴		TITLE 1-1/4" Soft Signage Snap Tension Frame - Assembly
Principal Moments Iy: 0.000 in ⁴		
Section Modulus Ix: 0.000 in ³		PART NO K3091N
Section Modulus Iy: 0.000 in ³		
SHEET 1 OF 1		REV