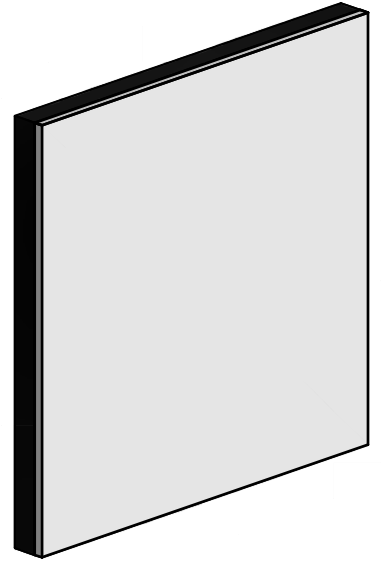
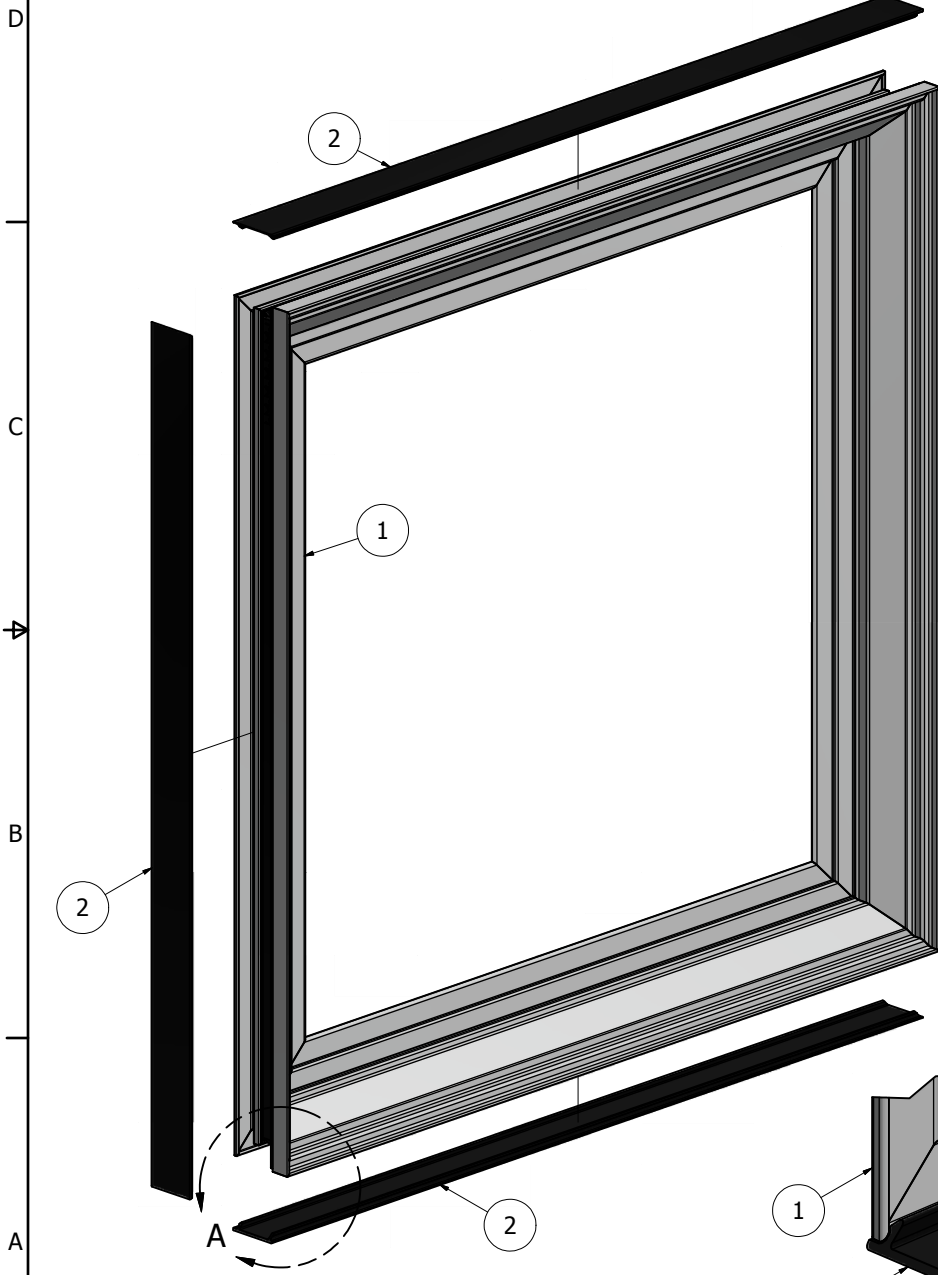
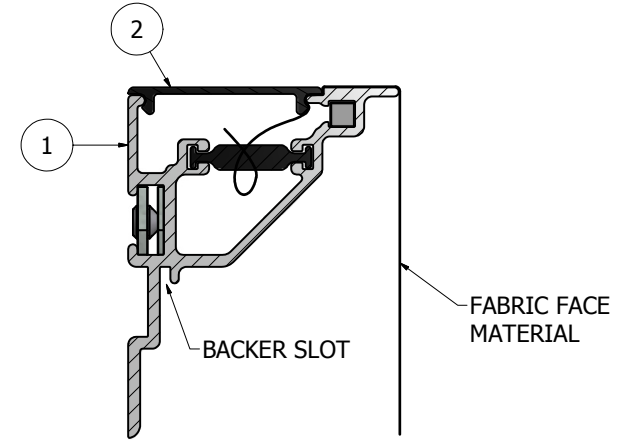


PARTS LIST			
ITEM	PART #	DESCRIPTION	NOTES
1	K3090	2" Soft Signage Tension Frame	Assembly
2	3093	2" Soft Signage Plastic Cover	All Sides

Ship To:
Sales Order#

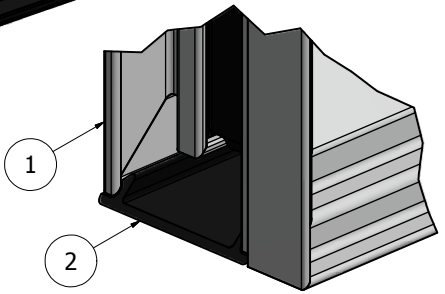


NOTE: THE COVER SNAPS INTO THE FRAME. NO FASTENERS REQUIRED.



CROSS-SECTION VIEW

NOTE: PRE-CUT KITS ARE NOT PRE-DRILLED.
(Holes shown in this drawing are for reference only. Drilling of pilot holes are to be done by fabricator.)



DETAIL A

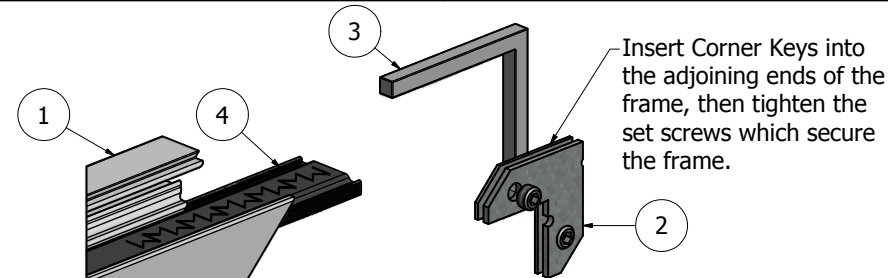
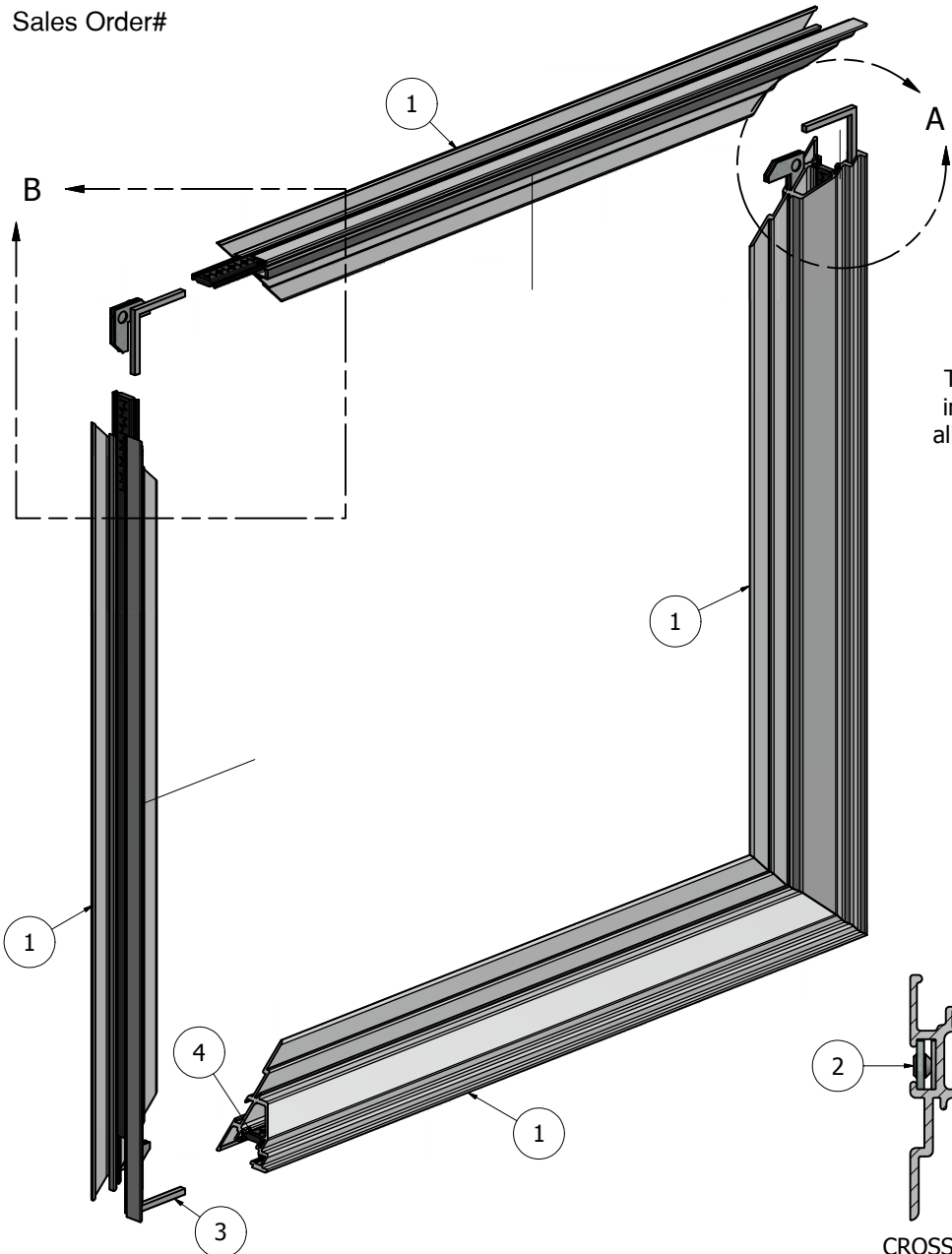
THIS DRAWING WAS CREATED AT NO CHARGE TO ASSIST YOU IN VISUALIZING OUR PROPOSAL. THE DRAWING HEREIN IS THE PROPERTY OF SIGNCOMP. PERMISSION TO COPY OR REVISE THIS DRAWING OR TO USE THIS DRAWING FOR PRODUCTION IS STRICTLY PROHIBITED AND CAN ONLY BE COPIED, REVISED OR USED FOR PRODUCTION WITH THE EXPRESSED WRITTEN PERMISSION OF SIGNCOMP.

DRAWING BY:	SBreihof	3/5/2014
Centroid X:	0.000 in	
Centroid Y:	0.000 in	
Principal Moments Ix:	0.000 in ⁴	
Principal Moments Iy:	0.000 in ⁴	
Section Modulus Ix:	0.000 in ³	
Section Modulus Iy:	0.000 in ³	

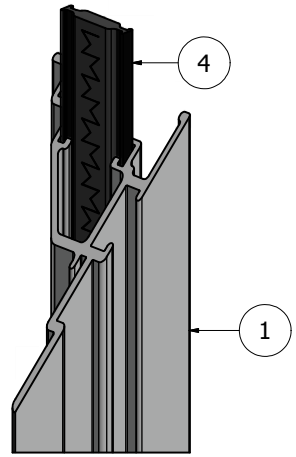
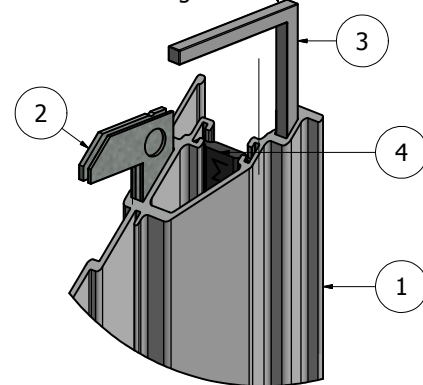
SignComp		TITLE
		2" Soft Signage Tension Frame and Plastic Cover - Assembly
PART NO	KK3090-93	REV
SHEET 1 OF 1		

PARTS LIST			
ITEM	PART#	DESCRIPTION	NOTES
1	3090	2" Soft Signage Tension Frame	All Sides
2	5890	2 Piece Corner Key	Front, Back and 1/4-20 Set Screws
3	5303	Corner Angle	
4	3097	Soft Signage Grip Strip II	

Ship To:
Sales Order#



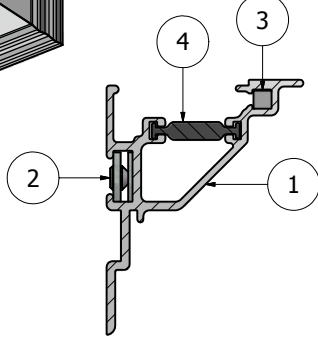
The Corner Angles float in the frame to provide alignment and additional strength.



DETAIL B
BACK VIEW

DETAIL A

NOTE: PRE-CUT KITS ARE NOT PRE-DRILLED.
(Holes shown in this drawing are for reference only. Drilling of pilot holes are to be done by fabricator.)



CROSS-SECTION VIEW

DRAWING BY: SBreihof 3/5/2014		<h1>SignComp</h1>
Centroid X: 0.000 in	Centroid Y: 0.000 in	
Principal Moments Ix: 0.000 in ⁴	Principal Moments Iy: 0.000 in ⁴	<h2>2" Soft Signage Tension Frame - Assembly</h2>
Section Modulus Ix: 0.000 in ³	Section Modulus Iy: 0.000 in ³	
PART NO		REV
K3090		
		SHEET 1 OF 1