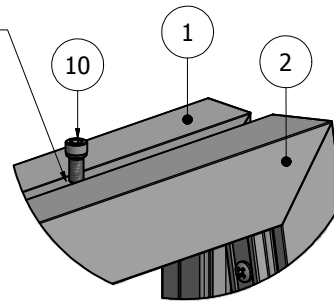
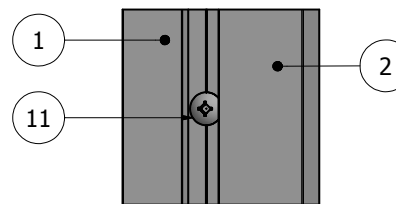
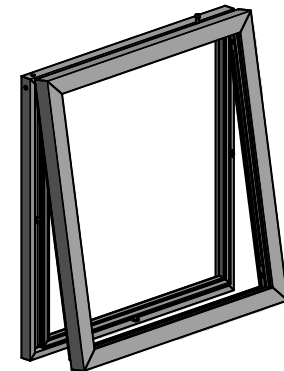


PARTS LIST			
ITEM	PART#	DESCRIPTION	NOTES
1	K2020	Slimline Body	Assembly
2	K2053/63/73	1 1/2" Retainer w/ Frame and Cover	Assembly
10	5170	Hinge Screw	Drill 3/8" pilot hole
11	5180	Closure Screw	Drill 5/16" pilot hole

**\*NOTE:** Drill a 3/8" oversized hole for the head of the hinge screw to slip through.

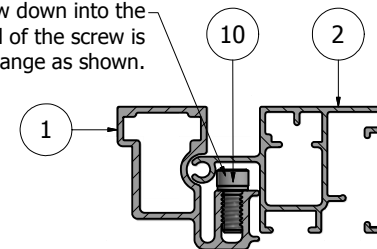


DETAIL A



DETAIL B  
FRAME CLOSED

Drive the hinge screw down into the body so the head of the screw is under the retainer flange as shown.

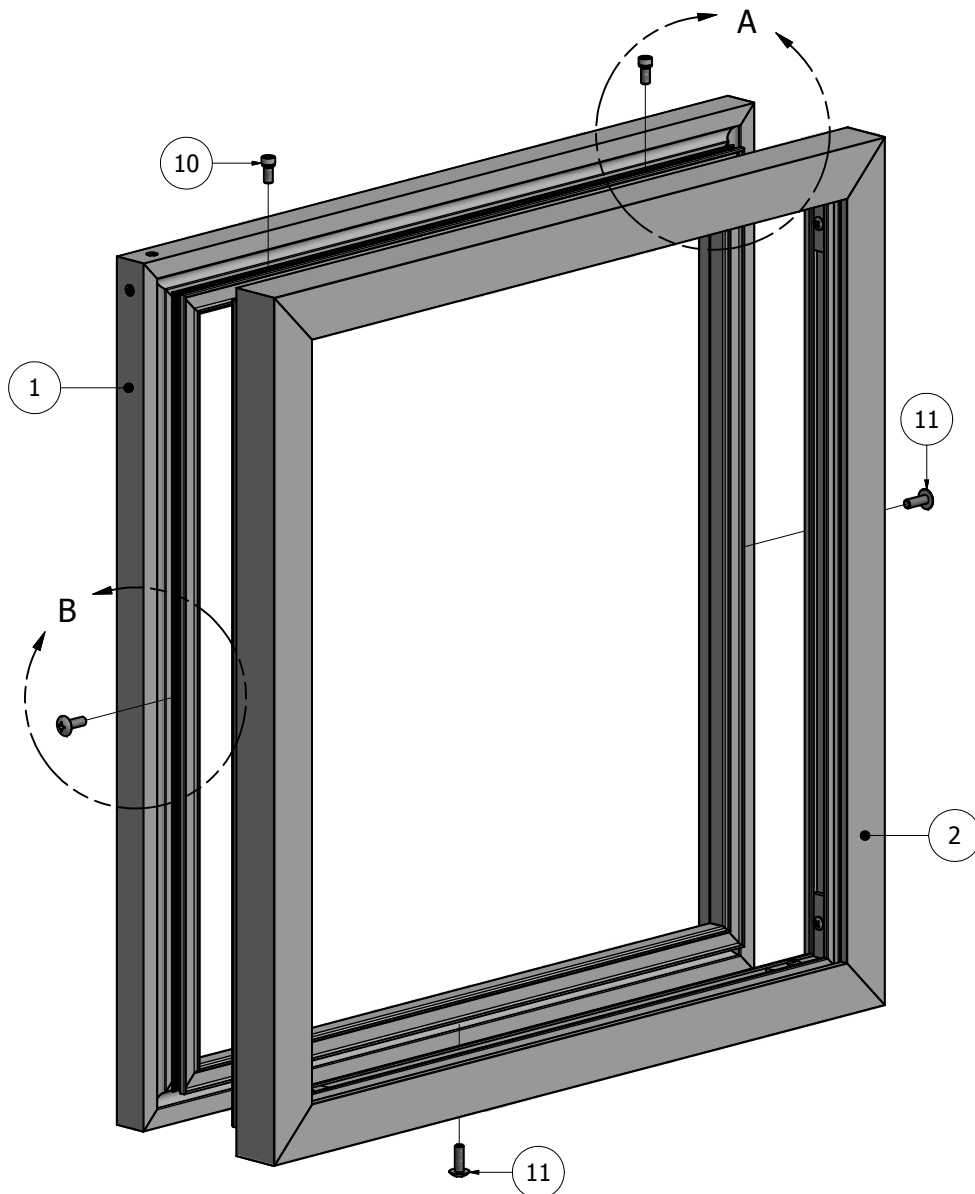


TOP CROSS-SECTION

**NOTE: PRE-CUT KITS ARE NOT PRE-DRILLED.**

(Holes shown in this drawing are for reference only. Drilling of pilot holes are to be done by fabricator.)

Ship To:  
Sales Order#

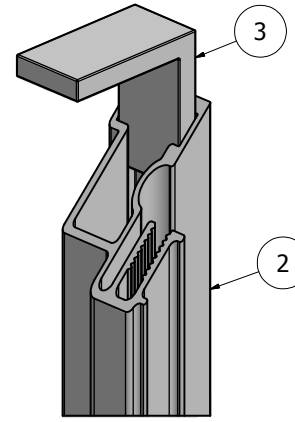
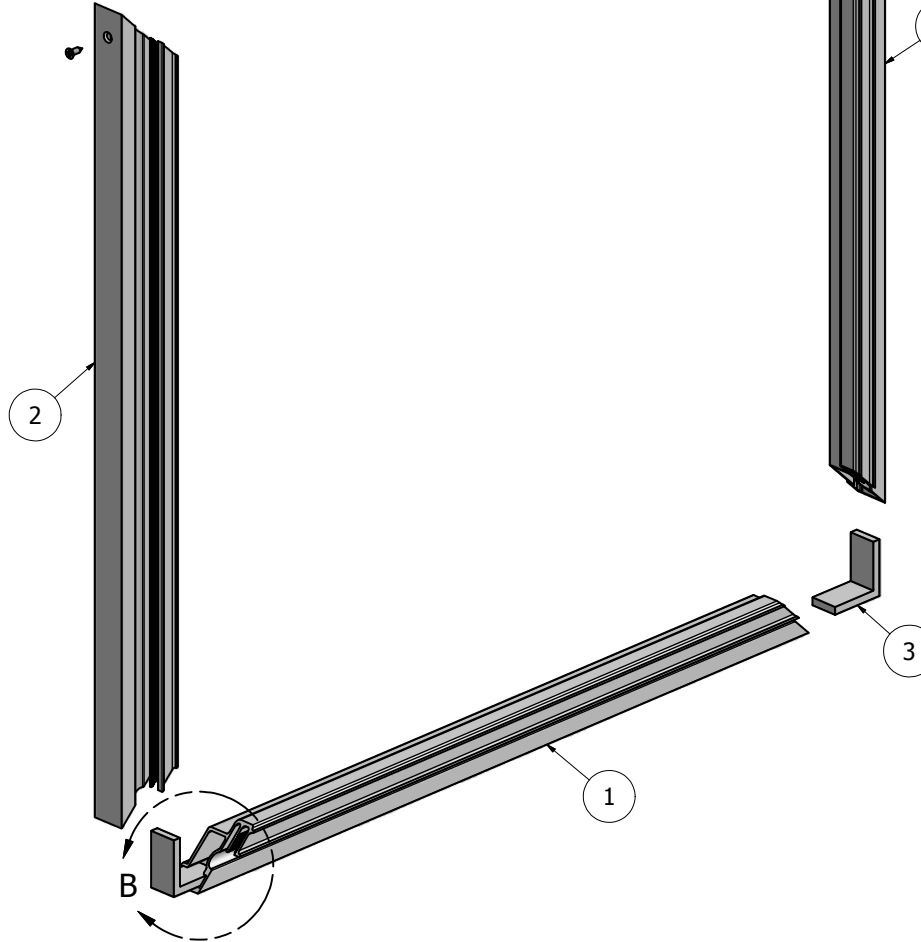
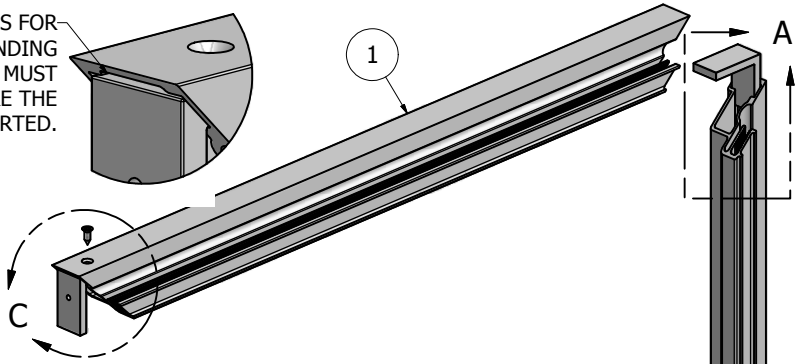
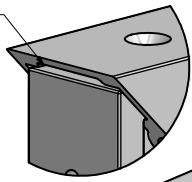


THIS DRAWING WAS CREATED AT NO CHARGE TO ASSIST YOU IN VISUALIZING OUR PROPOSAL. THE DRAWING HEREIN IS THE PROPERTY OF SIGNCOMP. PERMISSION TO COPY OR REVISE THIS DRAWING OR TO USE THIS DRAWING FOR PRODUCTION IS STRICTLY PROHIBITED AND CAN ONLY BE COPIED, REVISED OR USED FOR PRODUCTION WITH THE EXPRESSED WRITTEN PERMISSION OF SIGNCOMP.

DRAWN	SBreihof	10/30/2012	<b>SignComp</b>
Centroid X:	0.000 in	TITLE	
Centroid Y:	0.000 in	Slimline Body w/ 1 1/2" Retainer - Assembly	
Principal Moments Ix:	0.000 in <sup>4</sup>	DWG NO	REV
Principal Moments Iy:	0.000 in <sup>4</sup>	<b>K2020-53 with 2063</b>	
Section Modulus Ix:	0.000 in <sup>3</sup>	SHEET 1 OF 1	
Section Modulus Iy:	0.000 in <sup>3</sup>		

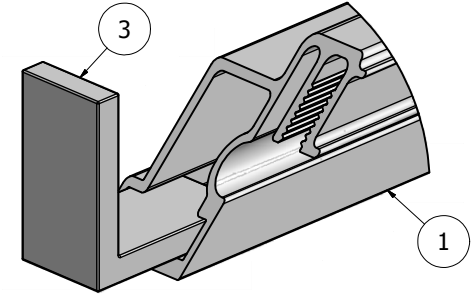
Parts List			
ITEM	PART#	DESCRIPTION	NOTES
1	2020	Slimline Single Face Body	Top & Bottom
2	2020	Slimline Single Face Body	Sides
3	5320	Slimline Body Corner Angle	
4	By Other	Frame Angle Fastener - Optional	NOT PROVIDED BY SIGNCOMP

THIS AREA ALLOWS FOR ADHESIVE OR BONDING AGENT. ADHESIVE MUST BE APPLIED BEFORE THE ANGLE IS INSERTED.



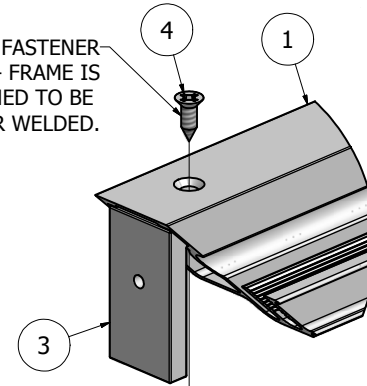
DETAIL A

Ship To:  
Order Number:



DETAIL B

\*OPTIONAL FASTENER-ASSEMBLY - FRAME IS DESIGNED TO BE BONDED OR WELDED.



DETAIL C

**NOTE: PRE-CUT KITS ARE NOT PRE-DRILLED.**

(Holes shown in this drawing are for reference only. Drilling of pilot holes are to be done by fabricator.)

THIS DRAWING WAS CREATED AT NO CHARGE TO ASSIST YOU IN VISUALIZING OUR PROPOSAL. THE DRAWING HEREIN IS THE PROPERTY OF SIGNCOMP. PERMISSION TO COPY OR REVISE THIS DRAWING OR TO USE THIS DRAWING FOR PRODUCTION IS STRICTLY PROHIBITED AND CAN ONLY BE COPIED, REVISED OR USED FOR PRODUCTION WITH THE EXPRESSED WRITTEN PERMISSION OF SIGNCOMP.

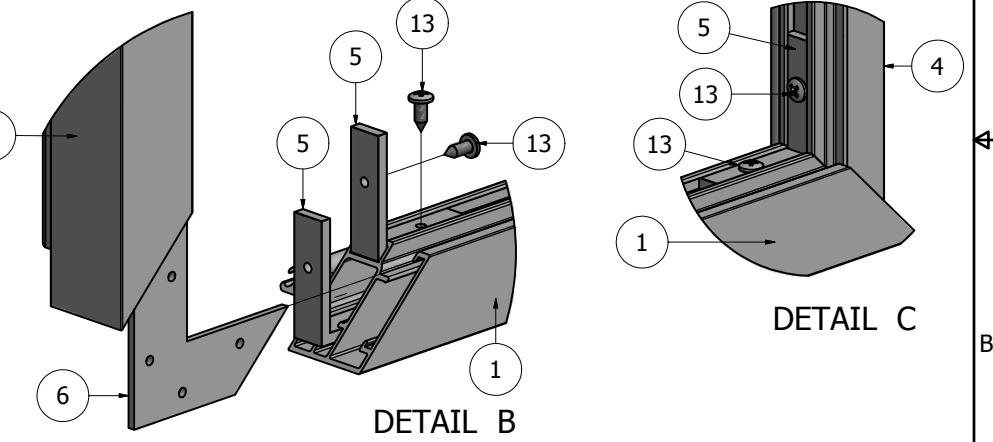
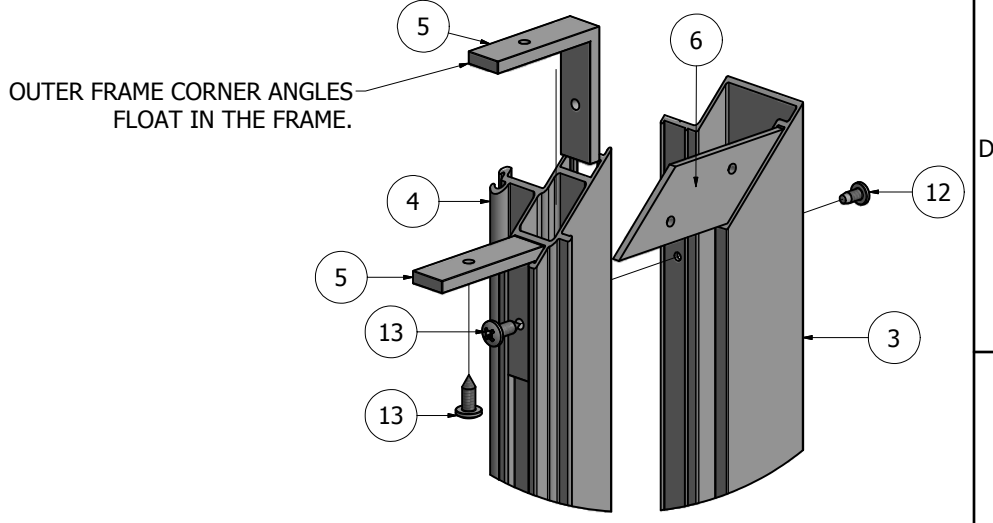
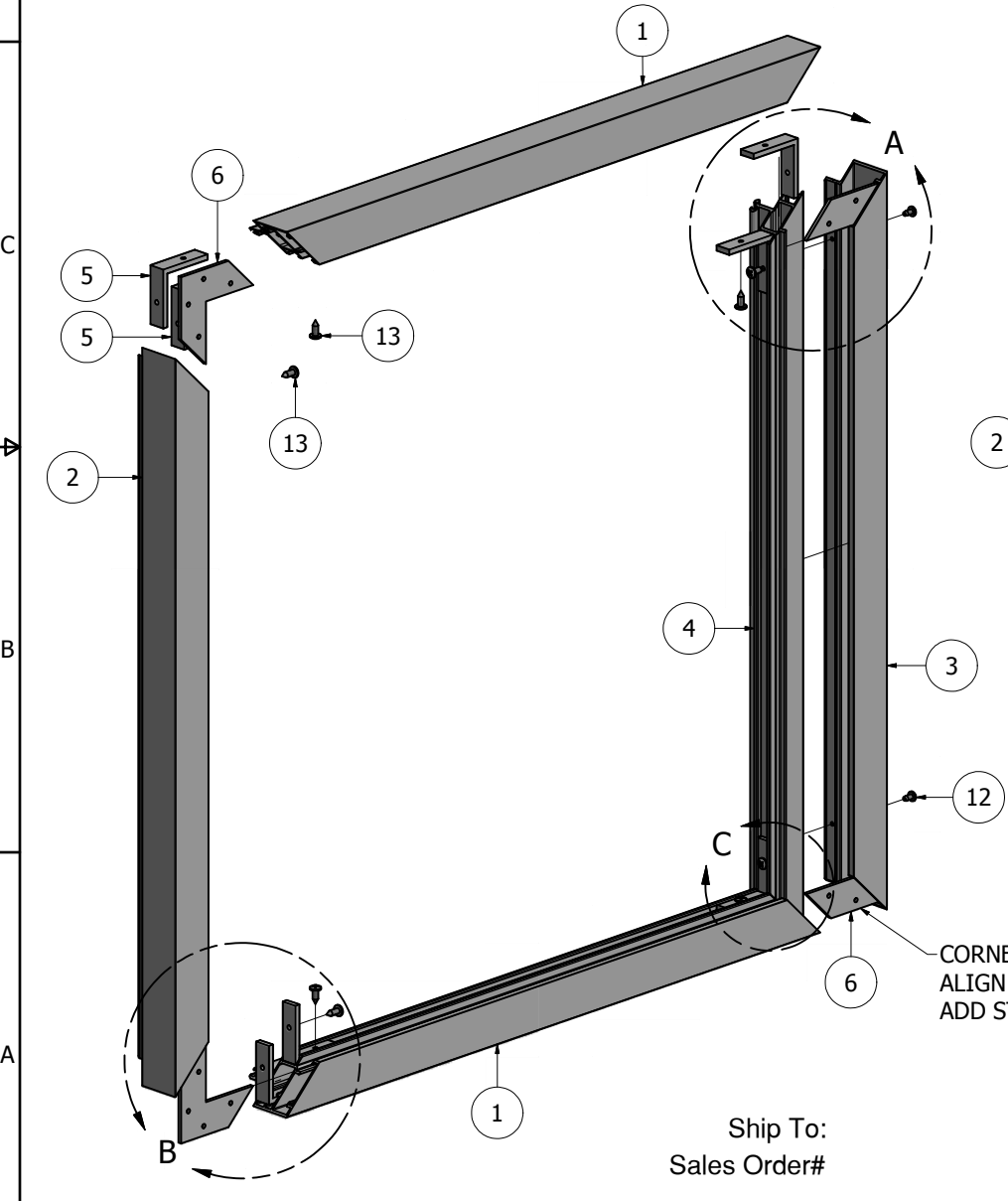
DRAWN	Sarah	4/30/2012
Centroid X:	0.000 in	
Centroid Y:	0.000 in	
Principal Moments Ix:	0.000 in <sup>4</sup>	
Principal Moments Iy:	0.000 in <sup>4</sup>	
Section Modulus Ix:	0.000 in <sup>3</sup>	
Section Modulus Iy:	0.000 in <sup>3</sup>	

# SignComp

TITLE  
Slimline Single Face Body - Assembly

DWG NO **K2020** REV

PARTS LIST			
ITEM	PART #	DESCRIPTION	NOTES
1	2053	1 1/2" Retainer	Top & Bottom
2	2053	1 1/2" Retainer	One Side
3	2073	1 1/2" Frame Cover	One Side
4	2063	1 1/2" Frame	One Side
5	5304	1 1/2" Frame Corner Angle	
6	5210	Corner Key	
12	5195	Cover Screw	Pre-drill 3/32" pilot hole
13	5218	Corner Angle Screw	Drill 5/32" pilot hole



CORNER KEYS HELP ALIGN MITRES AND ADD STRENGTH.

Ship To:  
Sales Order#

THIS DRAWING WAS CREATED AT NO CHARGE TO ASSIST YOU IN VISUALIZING OUR PROPOSAL. THE DRAWING HEREIN IS THE PROPERTY OF SIGNCOMP. PERMISSION TO COPY OR REVISE THIS DRAWING OR TO USE THIS DRAWING FOR PRODUCTION IS STRICTLY PROHIBITED AND CAN ONLY BE COPIED, REVISED OR USED FOR PRODUCTION WITH THE EXPRESSED WRITTEN PERMISSION OF SIGNCOMP.

DRAWN	SBreihof	10/26/2012	<b>SignComp</b>
Centroid X:	0.000 in	TITLE	
Centroid Y:	0.000 in	1-1/2" Retainer w/ 1-1/2" Frame and Cover - Assembly	REV
Principal Moments Ix:	0.000 in <sup>4</sup>	DWG NO	
Principal Moments Iy:	0.000 in <sup>4</sup>	<b>K2053-63</b>	
Section Modulus Ix:	0.000 in <sup>3</sup>		
Section Modulus Iy:	0.000 in <sup>3</sup>		