

Features & Benefits

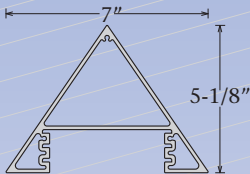
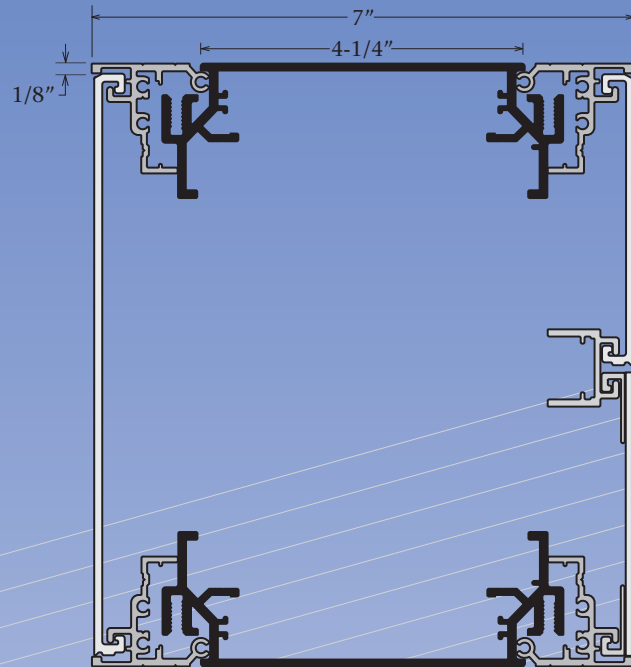
Architectural Hinge Body signs have hingeable retainers that allows access to service the sign. The Series 7 Insert Panel System allows for a concealed divider system; giving you a clean interchangeable system. The retainers have provisions for Corner Keys. It is available in Mill finish. Portions of the Insert System are anodized for sliding purposes only.

Answers to FAQ's

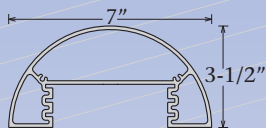
- Add 1/2" in the direction of the lamp to allow for standard T12 bulbs to fit.
- Recommended panel thickness for the Aluminum Insert Adaptor is .090.
- Recommended panel thickness for the Plastic Insert Adaptor is .090.
- Add 5/16" the bodies height to allow or the panels to fit.

Optional Items

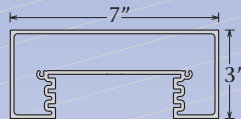
- 3 Post Options. See Below
- 8" Aluminum Insert Panel - Part #1674
- 6" Aluminum Insert Panel - Part #1676
- 4" Aluminum Insert Panel - Part #1678
- Aluminum Insert Adaptor - Part #1679
- Plastic Insert Adaptor - Part #1689



Triangular Post
 Part #1530



Radius Post
 Part #1500



Rectangular Post
 Part #1510

