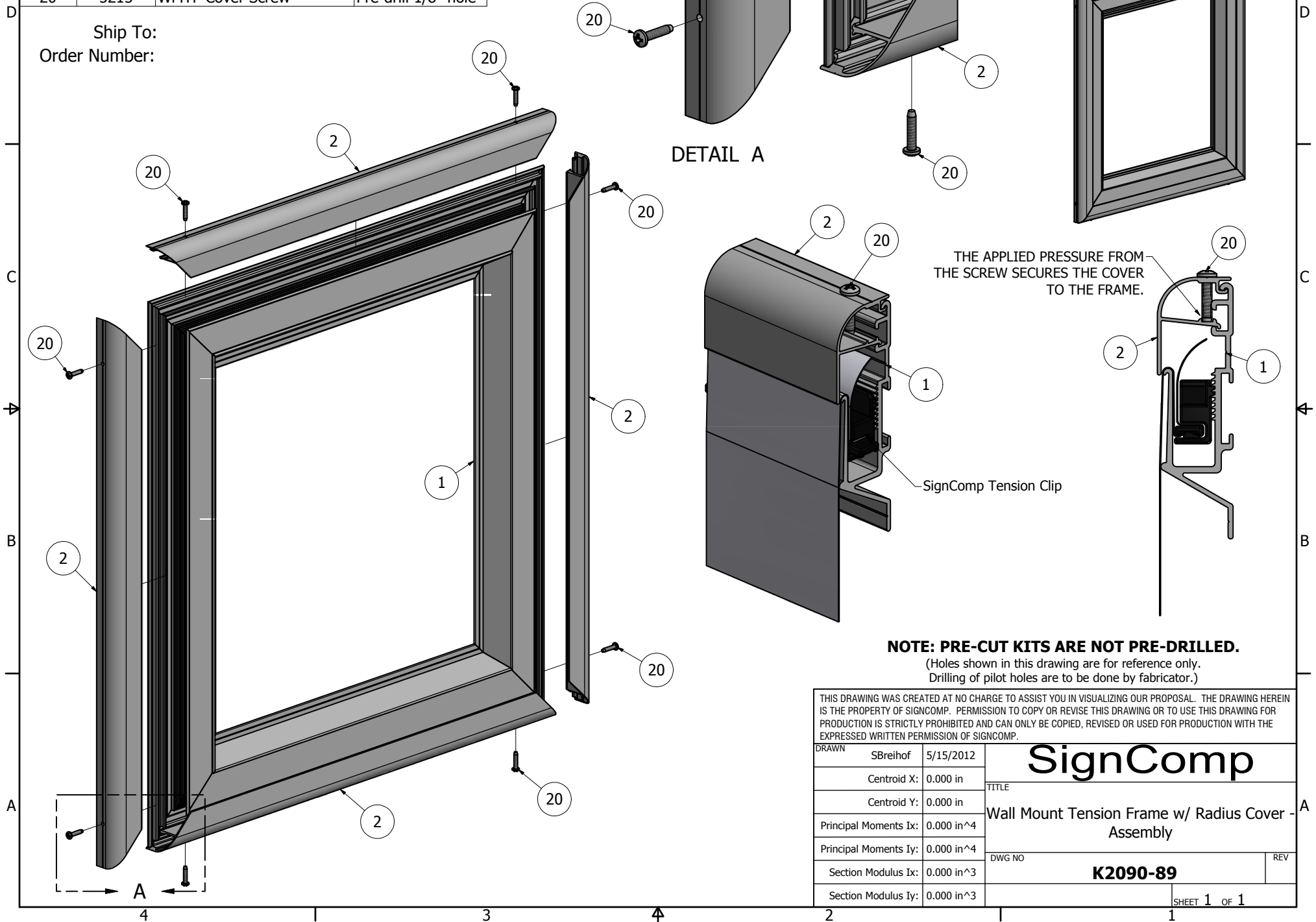


PARTS LIST			
ITEM	PART#	DESCRIPTION	NOTES
1	K2090	Wall Mount Tension Frame Assembly	
2	2089	WMTF Radius Cover	
20	5215	WMTF Cover Screw	Pre-drill 1/8" hole

Ship To:  
Order Number:



**NOTE: PRE-CUT KITS ARE NOT PRE-DRILLED.**  
(Holes shown in this drawing are for reference only.  
Drilling of pilot holes are to be done by fabricator.)

THIS DRAWING WAS CREATED AT NO CHARGE TO ASSIST YOU IN VISUALIZING OUR PROPOSAL. THE DRAWING HEREIN IS THE PROPERTY OF SIGNCOMP. PERMISSION TO COPY OR REVISE THIS DRAWING OR TO USE THIS DRAWING FOR PRODUCTION IS STRICTLY PROHIBITED AND CAN ONLY BE COPIED, REVISED OR USED FOR PRODUCTION WITH THE EXPRESSED WRITTEN PERMISSION OF SIGNCOMP.

DRAWN	SBreihof	5/15/2012	<b>SignComp</b>
Centroid X:	0.000 in		
Centroid Y:	0.000 in		TITLE
Principal Moments Ix:	0.000 in^4		Wall Mount Tension Frame w/ Radius Cover Assembly
Principal Moments Iy:	0.000 in^4		DWG NO
Section Modulus Ix:	0.000 in^3		<b>K2090-89</b>
Section Modulus Iy:	0.000 in^3		REV

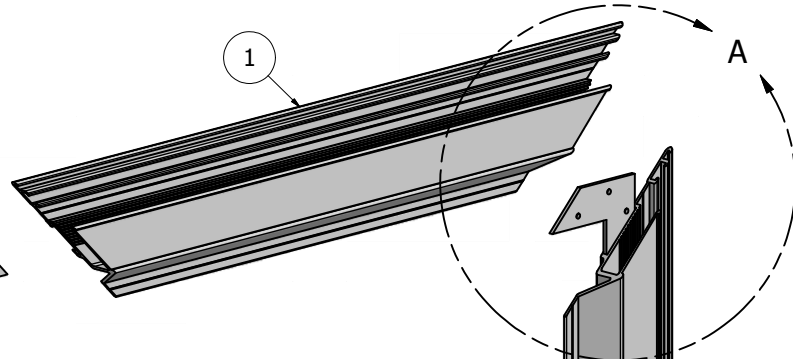
Parts List			
ITEM	PART#	DESCRIPTION	NOTES
1	2090	Wall Mount Tension Frame	Top & Bottom Sides
2	2090	Wall Mount Tension Frame	Sides
3	5210 S	Corner Key	
4	By Other	Frame Fastener	

D  
C  
B  
A

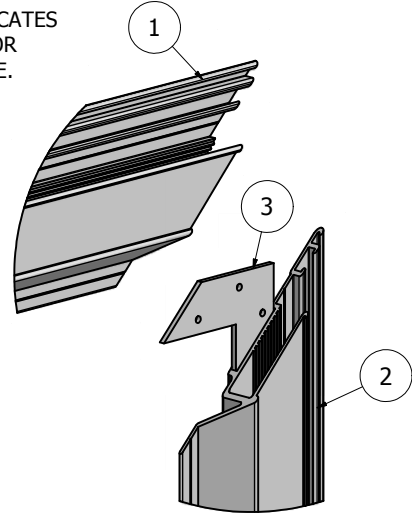
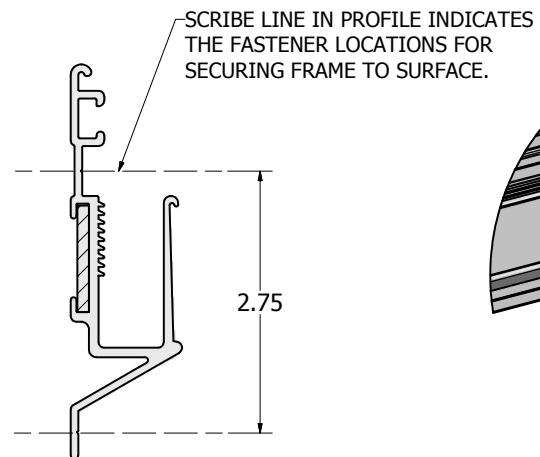
3

2

1

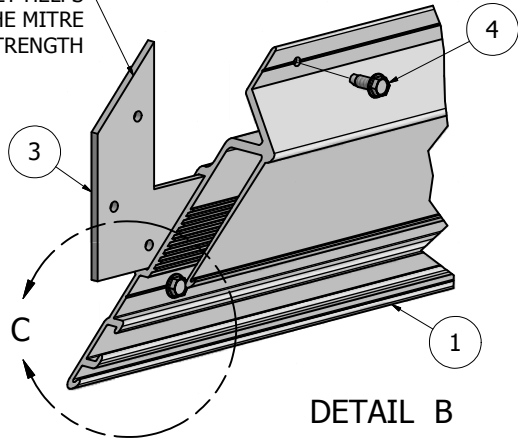


A

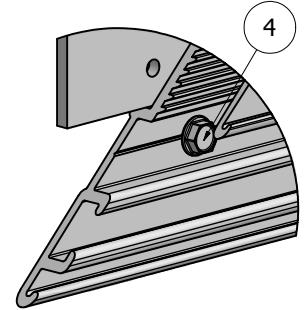


DETAIL A

CORNER KEY HELPS ALIGN THE MITRE AND ADDS STRENGTH



DETAIL B



DETAIL C  
FASTENER PLACEMENT

**NOTE: PRE-CUT KITS ARE NOT PRE-DRILLED.**  
(Holes shown in this drawing are for reference only. Drilling of pilot holes are to be done by fabricator.)

THIS DRAWING WAS CREATED AT NO CHARGE TO ASSIST YOU IN VISUALIZING OUR PROPOSAL. THE DRAWING HEREIN IS THE PROPERTY OF SIGNCOMP. PERMISSION TO COPY OR REVISE THIS DRAWING OR TO USE THIS DRAWING FOR PRODUCTION IS STRICTLY PROHIBITED AND CAN ONLY BE COPIED, REVISED OR USED FOR PRODUCTION WITH THE EXPRESSED WRITTEN PERMISSION OF SIGNCOMP.

DRAWN	Sarah	4/26/2012
Centroid X:	0.000 in	
Centroid Y:	0.000 in	
Principal Moments Ix:	0.000 in^4	
Principal Moments Iy:	0.000 in^4	
Section Modulus Ix:	0.000 in^3	
Section Modulus Iy:	0.000 in^3	

# SignComp

Wall Mount Tension Frame - Assembly

DWG NO	<b>K2090</b>	REV
--------	--------------	-----

Ship To:  
Order Number:

4

3

4

2

1