

PARTS LIST			
ITEM	PART #	DESCRIPTION	NOTES
1	K2112	2" Retro Frame	Assembly
2	K2115	2-3/8" Retro Frame Cover	
3	5210	Corner Key	
4	By Other	Angle or Tubing	Required if not attaching to existing structure
5	By Other	Fastener	Not provided by SignComp
12	5195	Cover Screw	Pre-drill 3/32" hole

Ship To:
Order Number:

CORNER KEY IS USED TO ALIGN MITRES AND ADD STRENGTH TO COVER CORNERS.

RIGHT ANGLE MATERIAL REQUIRED FOR FRAME TO ATTACH TO. ANGLE OR TUBING NOT PROVIDED BY SIGNCOMP.

SIGNCOMP TENSION CLIP

DETAIL B

DETAIL A

NOTE: PRE-CUT KITS ARE NOT PRE-DRILLED.

(Holes shown in this drawing are for reference only. Drilling of pilot holes are to be done by fabricator.)

THIS DRAWING WAS CREATED AT NO CHARGE TO ASSIST YOU IN VISUALIZING OUR PROPOSAL. THE DRAWING HEREIN IS THE PROPERTY OF SIGNCOMP. PERMISSION TO COPY OR REVISE THIS DRAWING OR TO USE THIS DRAWING FOR PRODUCTION IS STRICTLY PROHIBITED AND CAN ONLY BE COPIED, REVISED OR USED FOR PRODUCTION WITH THE EXPRESSED WRITTEN PERMISSION OF SIGNCOMP.

DRAWN	SBreihof	5/10/2012
Centroid X:	0.000 in	
Centroid Y:	0.000 in	
Principal Moments Ix:	0.000 in ⁴	
Principal Moments Iy:	0.000 in ⁴	
Section Modulus Ix:	0.000 in ³	
Section Modulus Iy:	0.000 in ³	

SignComp

2" Retro Frame with 2-3/8" Retro Frame Cover

K2112-2115

SHEET 1 OF 1

*NOTE: THE FRAME SHOULD BE PLACED TIGHT TO THE ANGLE MATERIAL BEFORE SECURING.

D

C

B

A

A

D

C

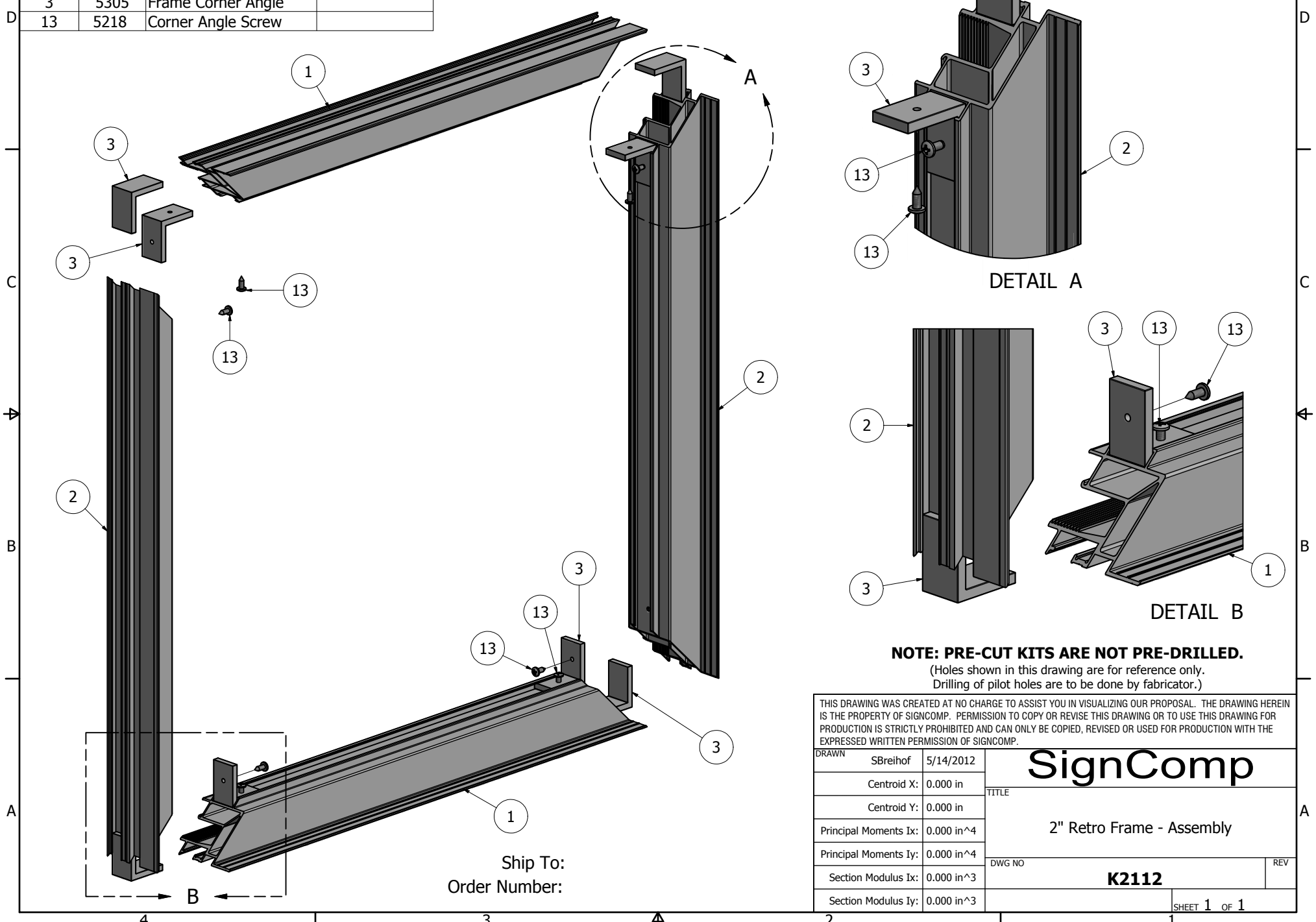
B

A

A

PARTS LIST			
ITEM	PART#	DESCRIPTION	NOTES
1	2112	2" Retro Frame	Top & Bottom
2	2112	2" Retro Frame	Sides
3	5305	Frame Corner Angle	
13	5218	Corner Angle Screw	

OUTER FRAME CORNER ANGLE
FLOATS IN THE FRAME FOR
ALIGNMENT.



DETAIL A

DETAIL B

NOTE: PRE-CUT KITS ARE NOT PRE-DRILLED.
(Holes shown in this drawing are for reference only.
Drilling of pilot holes are to be done by fabricator.)

THIS DRAWING WAS CREATED AT NO CHARGE TO ASSIST YOU IN VISUALIZING OUR PROPOSAL. THE DRAWING HEREIN IS THE PROPERTY OF SIGNCOMP. PERMISSION TO COPY OR REVISE THIS DRAWING OR TO USE THIS DRAWING FOR PRODUCTION IS STRICTLY PROHIBITED AND CAN ONLY BE COPIED, REVISED OR USED FOR PRODUCTION WITH THE EXPRESSED WRITTEN PERMISSION OF SIGNCOMP.		
DRAWN	SBreihof	5/14/2012
Centroid X:	0.000 in	
Centroid Y:	0.000 in	
Principal Moments Ix:	0.000 in ⁴	
Principal Moments Iy:	0.000 in ⁴	
Section Modulus Ix:	0.000 in ³	
Section Modulus Iy:	0.000 in ³	
<h1 style="text-align: center;">SignComp</h1>		TITLE
		2" Retro Frame - Assembly
DWG NO		REV
K2112		
SHEET 1 OF 1		

Ship To:
Order Number: