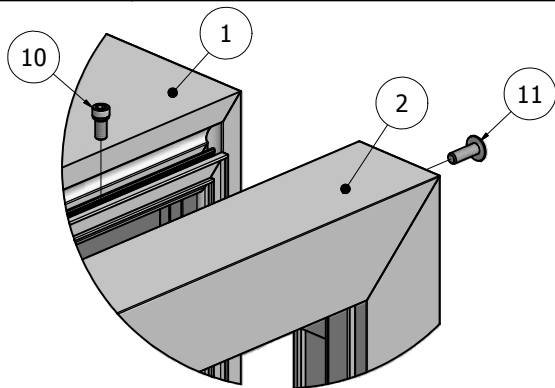
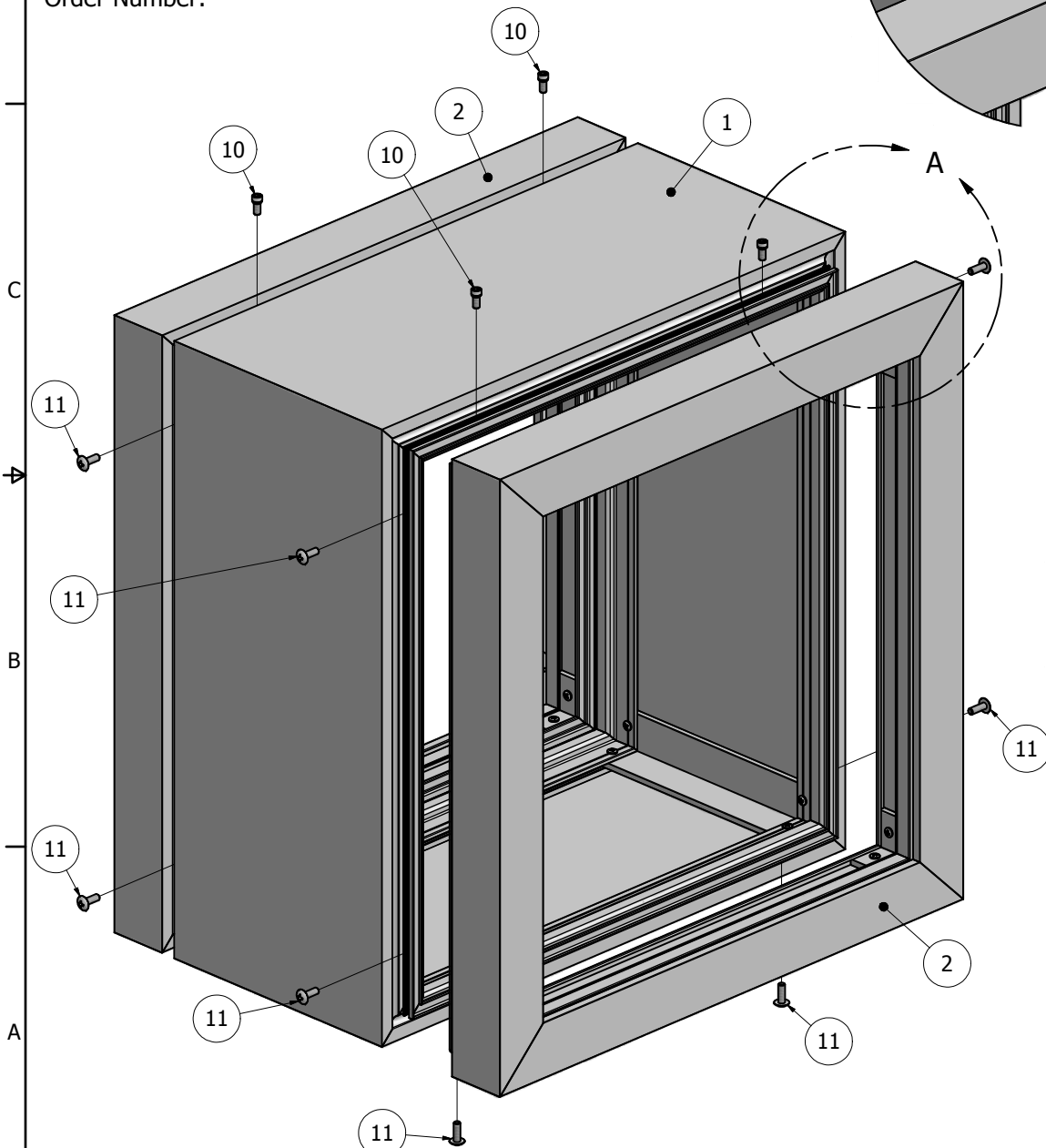
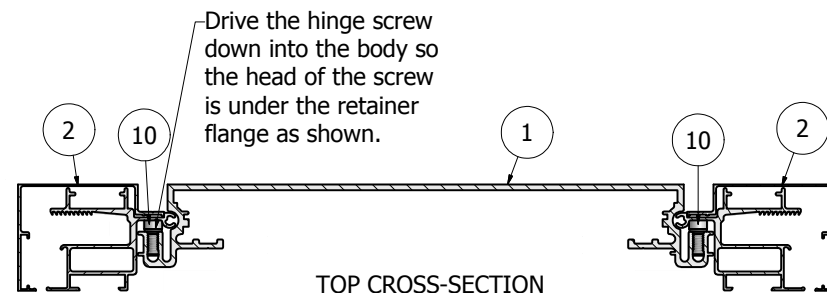
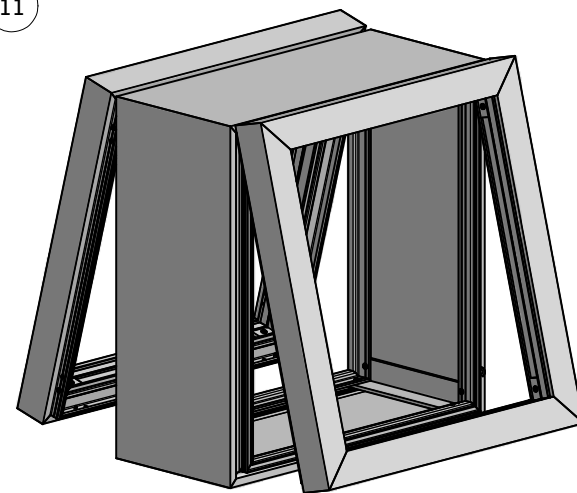


Parts List			
ITEM	PART#	DESCRIPTION	NOTES
1	K2005	Wide Body	Assembly
2	K2065/75	Dual Frame / Dual Frame Cover	Assembly
10	5170	Hinge Screw	Drill 3/8" pilot hole
11	5180	Cover Screw	Drill 5/16" pilot hole

Ship To:
Order Number:



DETAIL A



TOP CROSS-SECTION

NOTE: PRE-CUT KITS ARE NOT PRE-DRILLED.

(Holes shown in this drawing are for reference only. Drilling of pilot holes are to be done by fabricator.)

THIS DRAWING WAS CREATED AT NO CHARGE TO ASSIST YOU IN VISUALIZING OUR PROPOSAL. THE DRAWING HEREIN IS THE PROPERTY OF SIGNCOMP. PERMISSION TO COPY OR REVISE THIS DRAWING OR TO USE THIS DRAWING FOR PRODUCTION IS STRICTLY PROHIBITED AND CAN ONLY BE COPIED, REVISED OR USED FOR PRODUCTION WITH THE EXPRESSED WRITTEN PERMISSION OF SIGNCOMP.

DRAWN	Sarah	4/18/2012	SignComp
Centroid X:	0.000 in		
Centroid Y:	0.000 in		Wide Body w/ Dual Frame and Dual Frame Cover - Assembly
Principal Moments Ix:	0.000 in ⁴		
Principal Moments Iy:	0.000 in ⁴		DWG NO KWB-65 REV
Section Modulus Ix:	0.000 in ³		
Section Modulus Iy:	0.000 in ³		SHEET 1 OF 1

Parts List			
ITEM	PART #	DESCRIPTION	NOTES
1	2005	Wide Body	Top & Bottom
2	2005	Wide Body	Sides
3	5312	Wide Body Corner Angle	
13	5218	Corner Angle Screw	Drill 5/32" pilot hole

Ship To:
Order Number:

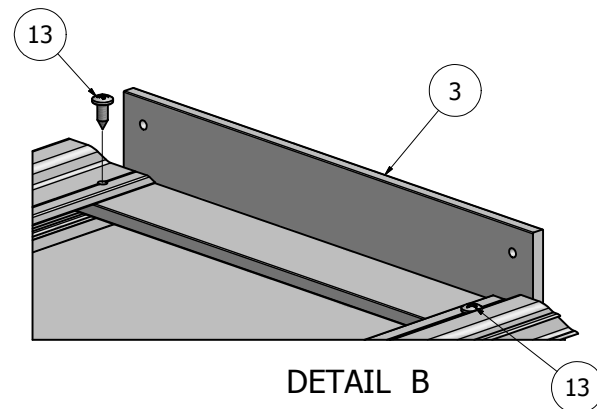
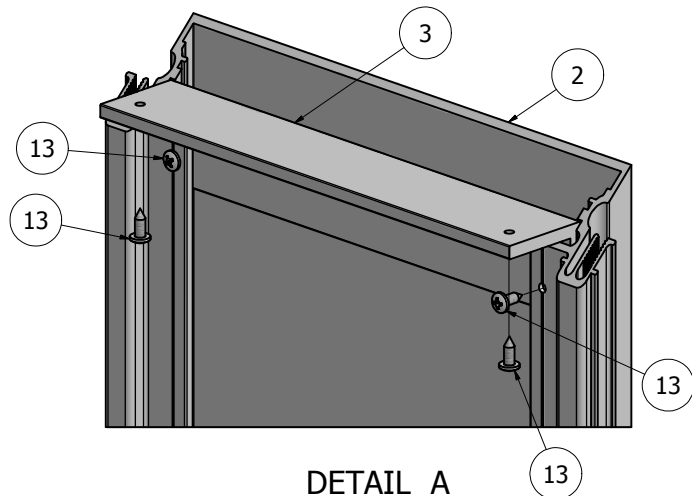
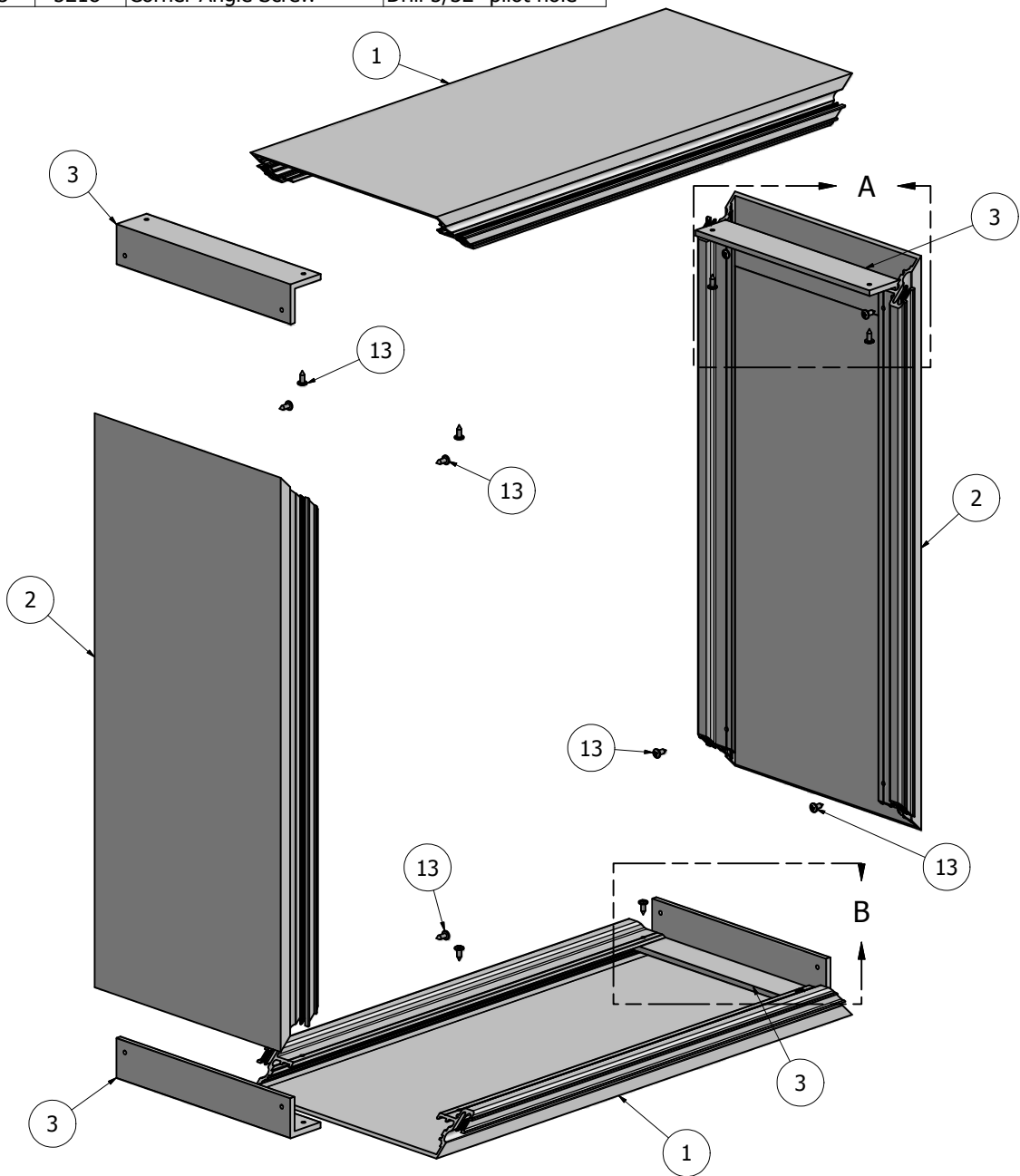
D

C

B

B

A



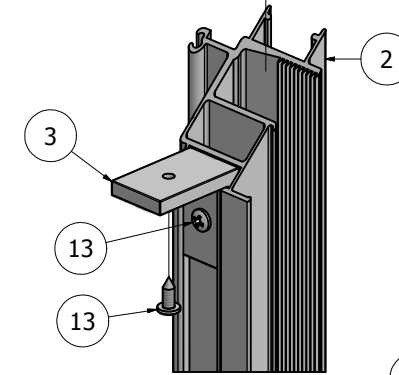
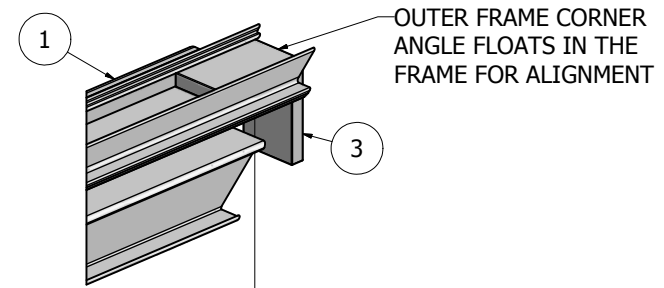
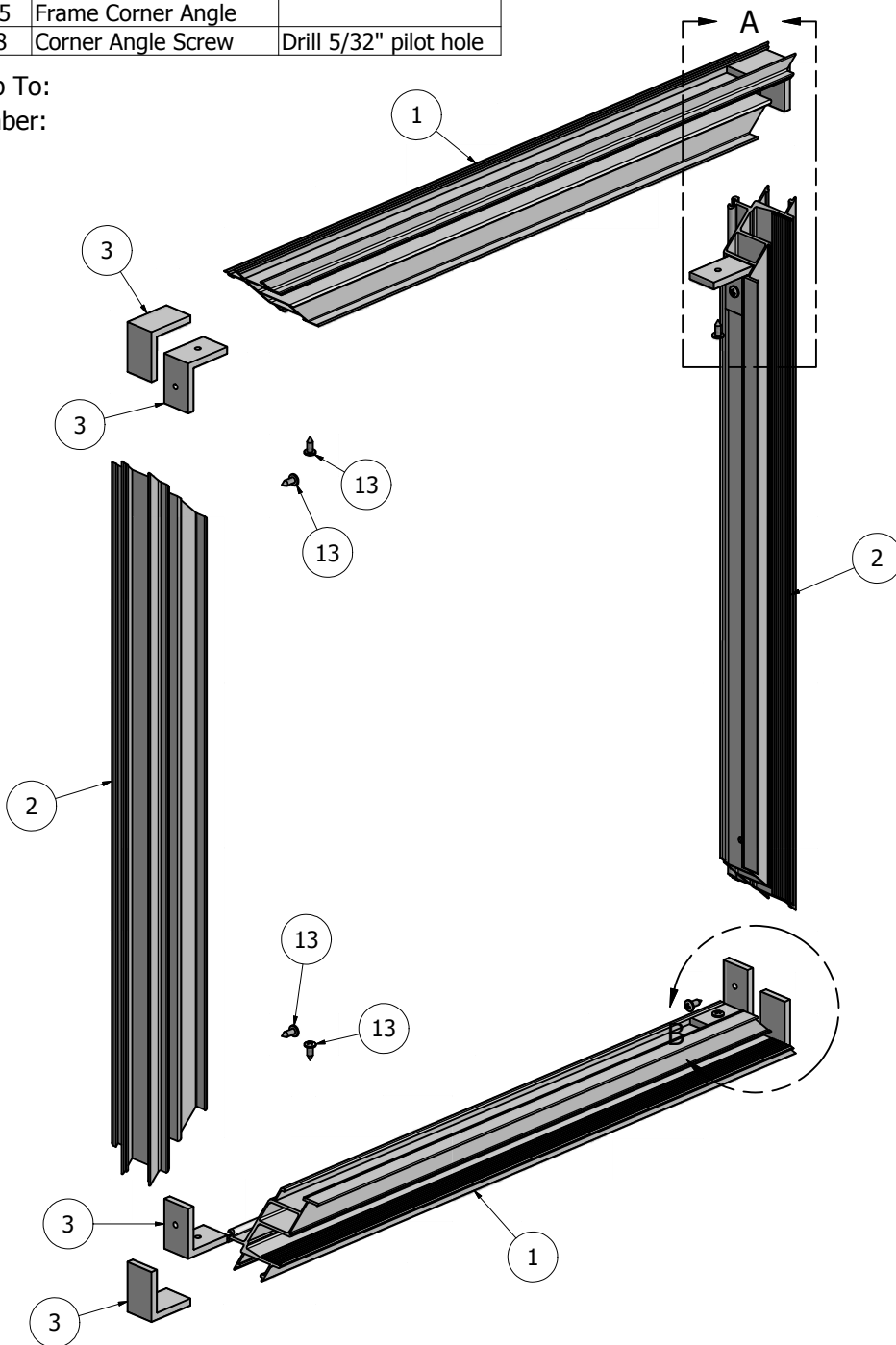
NOTE: PRE-CUT KITS ARE NOT PRE-DRILLED.
(Holes shown in this drawing are for reference only.
Drilling of pilot holes are to be done by fabricator.)

THIS DRAWING WAS CREATED AT NO CHARGE TO ASSIST YOU IN VISUALIZING OUR PROPOSAL. THE DRAWING HEREIN IS THE PROPERTY OF SIGNCOMP. PERMISSION TO COPY OR REVISE THIS DRAWING OR TO USE THIS DRAWING FOR PRODUCTION IS STRICTLY PROHIBITED AND CAN ONLY BE COPIED, REVISED OR USED FOR PRODUCTION WITH THE EXPRESSED WRITTEN PERMISSION OF SIGNCOMP.

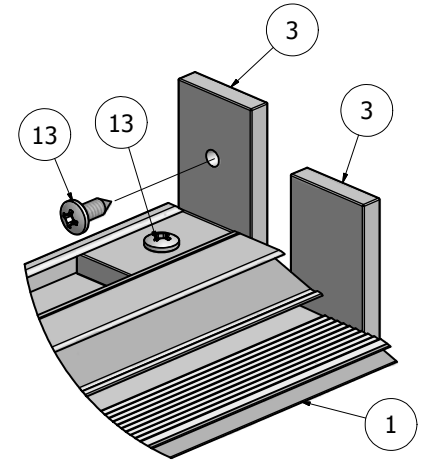
DRAWN	Sarah	3/5/2012	SignComp	
Centroid X:	0.000 in	TITLE		
Centroid Y:	0.000 in	Wide Body - Assembly		A
Principal Moments Ix:	0.000 in ⁴	DWG NO	K2005	REV
Principal Moments Iy:	0.000 in ⁴			
Section Modulus Ix:	0.000 in ³			
Section Modulus Iy:	0.000 in ³			

Parts List			
ITEM	PART#	DESCRIPTION	NOTES
1	2065	Dual Frame	Top & Bottom
2	2065	Dual Frame	Sides
3	5305	Frame Corner Angle	
13	5218	Corner Angle Screw	Drill 5/32" pilot hole

Ship To:
Order Number:



DETAIL A



DETAIL B

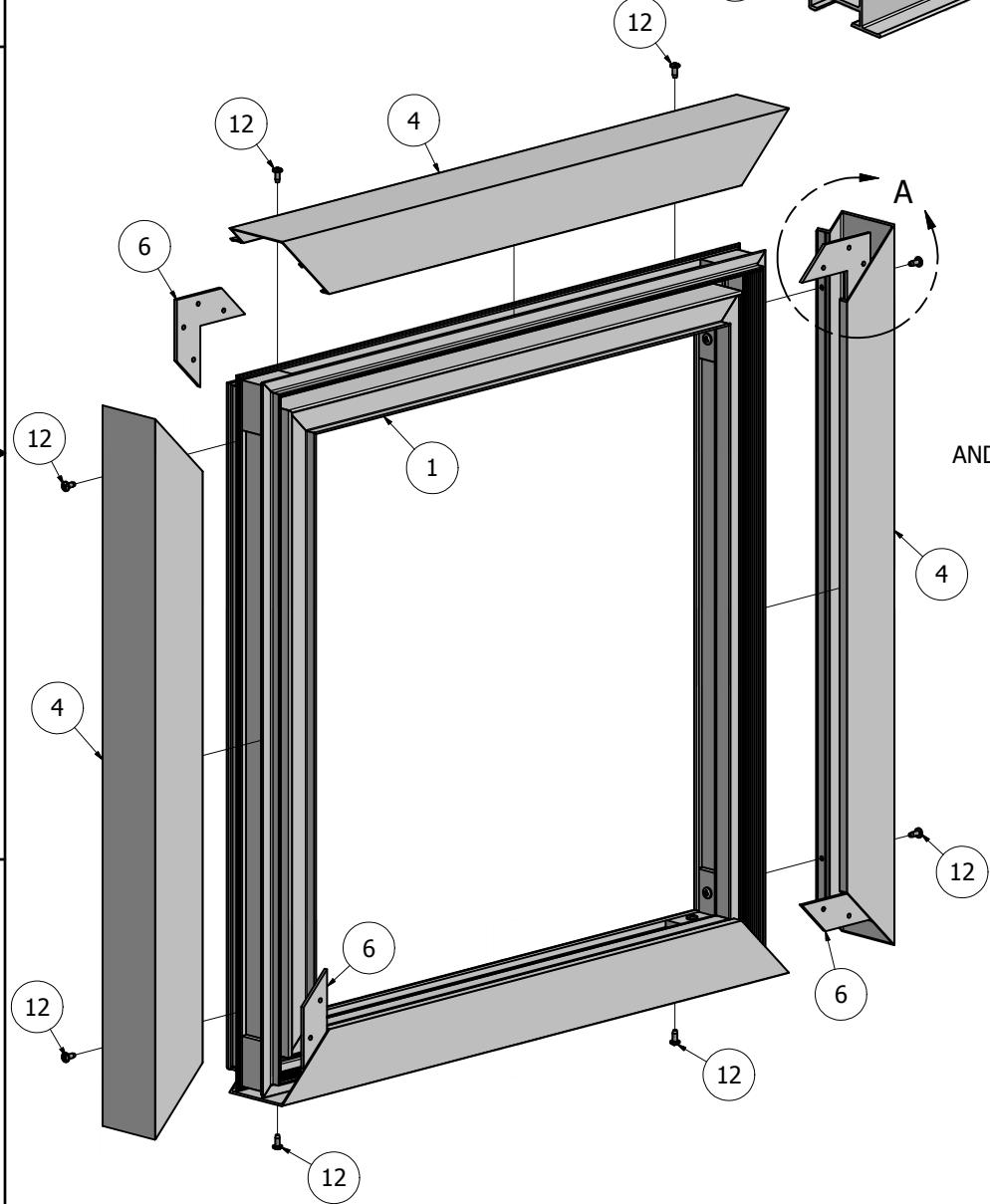
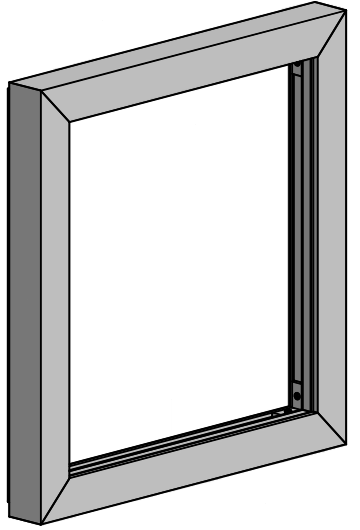
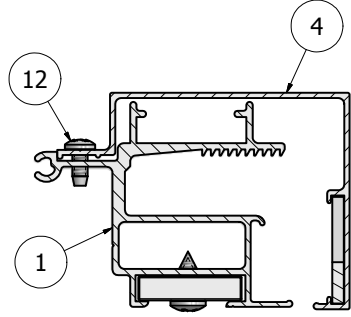
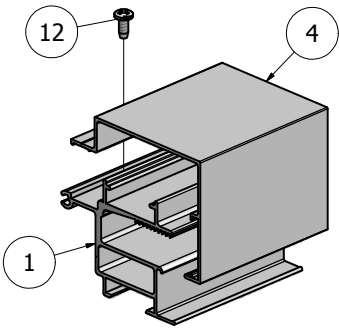
NOTE: PRE-CUT KITS ARE NOT PRE-DRILLED.
(Holes shown in this drawing are for reference only.
Drilling of pilot holes are to be done by fabricator.)

THIS DRAWING WAS CREATED AT NO CHARGE TO ASSIST YOU IN VISUALIZING OUR PROPOSAL. THE DRAWING HEREIN IS THE PROPERTY OF SIGNCOMP. PERMISSION TO COPY OR REVISE THIS DRAWING OR TO USE THIS DRAWING FOR PRODUCTION IS STRICTLY PROHIBITED AND CAN ONLY BE COPIED, REVISED OR USED FOR PRODUCTION WITH THE EXPRESSED WRITTEN PERMISSION OF SIGNCOMP.

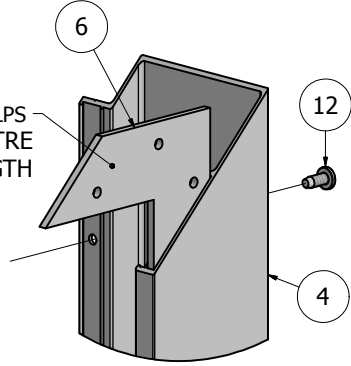
DRAWN	Sarah	3/6/2012	<h1>SignComp</h1>	
Centroid X:	0.000 in	TITLE		
Centroid Y:	0.000 in	Dual Frame - Assembly		
Principal Moments Ix:	0.000 in ⁴	DWG NO	K2065	REV
Principal Moments Iy:	0.000 in ⁴			
Section Modulus Ix:	0.000 in ³			
Section Modulus Iy:	0.000 in ³			

Parts List		
ITEM	PART#	DESCRIPTION
1	2065	Dual Frame Assembly
4	2075	2-1/4" Dual Frame Cover Assembly
6	5210	Corner Key
12	5195	Cover Screw

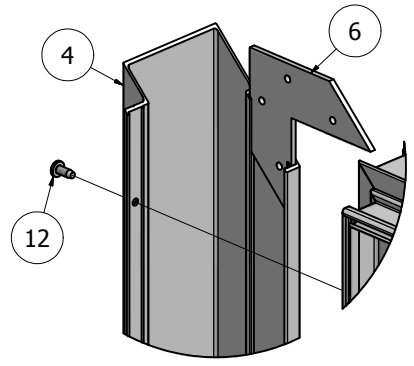
Ship To:
Order Number:



CORNER KEY HELPS ALIGN THE MITRE AND ADDS STRENGTH



DETAIL A
FRONT VIEW



DETAIL A
BACK VIEW

NOTE: PRE-CUT KITS ARE NOT PRE-DRILLED.
(Holes shown in this drawing are for reference only. Drilling of pilot holes are to be done by fabricator.)

THIS DRAWING WAS CREATED AT NO CHARGE TO ASSIST YOU IN VISUALIZING OUR PROPOSAL. THE DRAWING HEREIN IS THE PROPERTY OF SIGNCOMP. PERMISSION TO COPY OR REVISE THIS DRAWING OR TO USE THIS DRAWING FOR PRODUCTION IS STRICTLY PROHIBITED AND CAN ONLY BE COPIED, REVISED OR USED FOR PRODUCTION WITH THE EXPRESSED WRITTEN PERMISSION OF SIGNCOMP.

DRAWN	Sarah	3/7/2012	SignComp
Centroid X:	0.000 in		
Centroid Y:	0.000 in		TITLE
Principal Moments Ix:	0.000 in ⁴		Dual Frame and Dual Frame Cover - Assembly
Principal Moments Iy:	0.000 in ⁴		DWG NO
Section Modulus Ix:	0.000 in ³		K2065-75
Section Modulus Iy:	0.000 in ³		REV