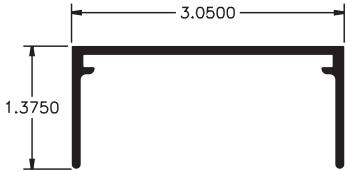




PRODUCT UPDATE: Series 3 Frameless Body

June 2010



Part
Series 3 Frameless Body

Part Number
1275

Length
24'-2"

Finish
Mill

Features & Benefits

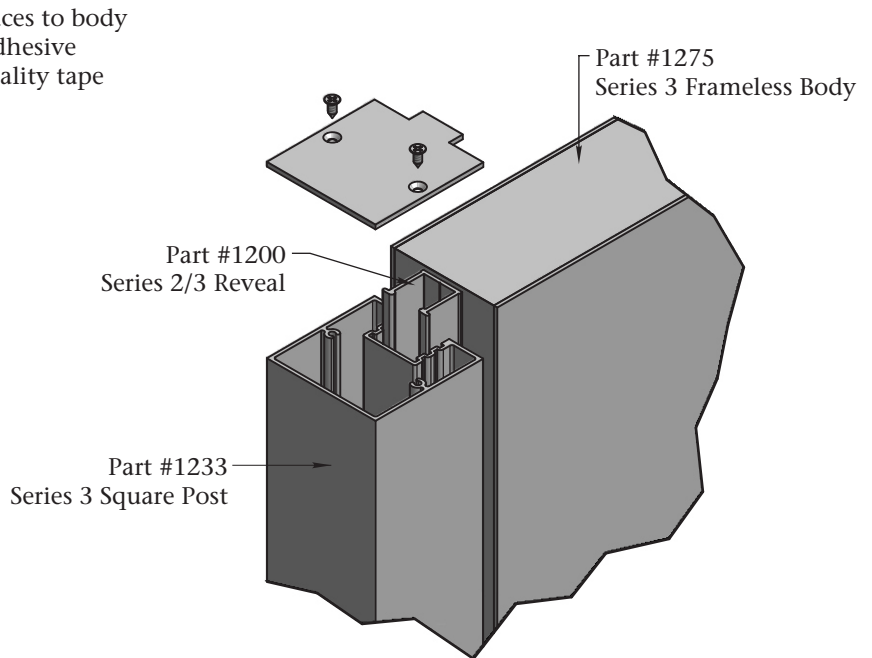
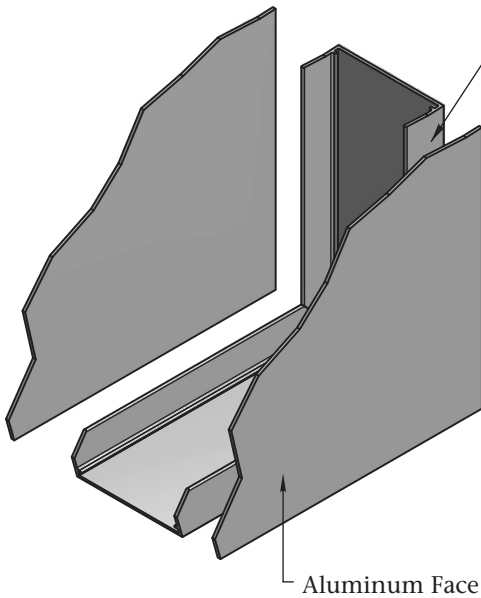
- Allows for a true frameless face appearance
- Large bonding area for aluminum faces
- Corner angle slot provides ease of assembly and added structure
- Great "C" channel for kerf cutting custom shapes
- Series 2/3 Reveal can be attached to allow for 10 different post options



Routed Edges



Square Edges



10 Post Options

Series 2 Series 3



Series 4