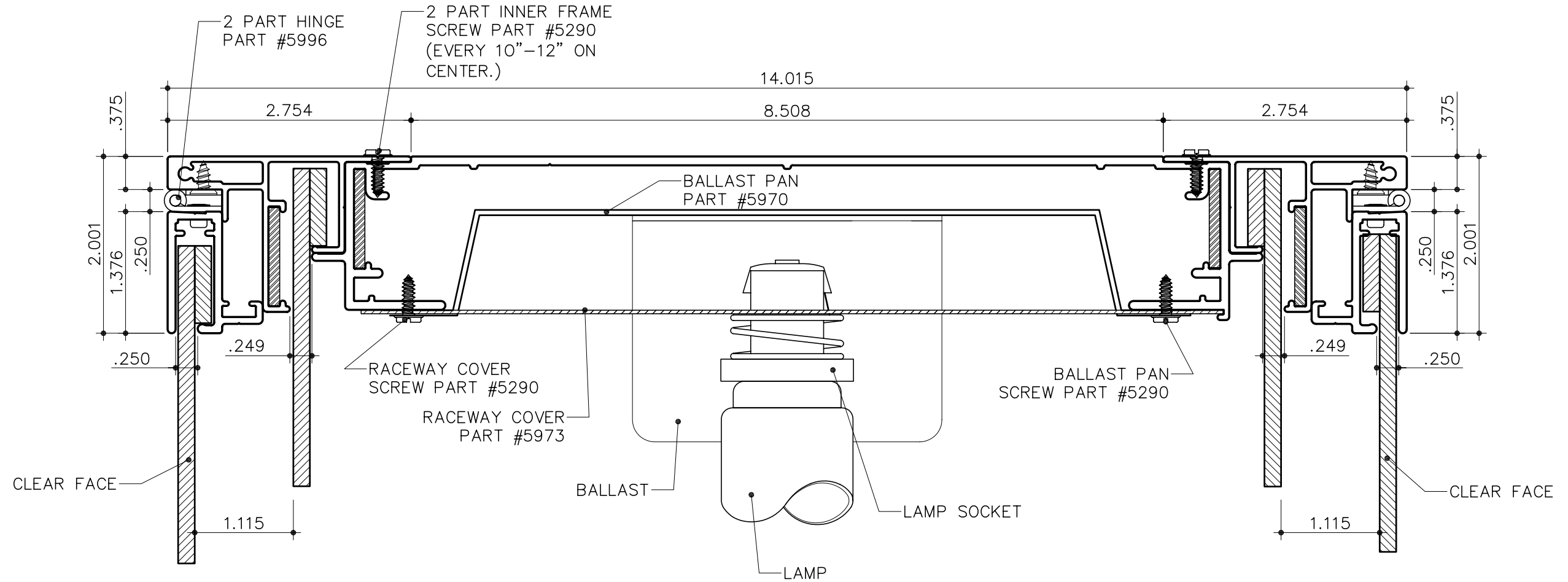


STD-4 for Rigid Faces - Electrical

2 Part 12" Body
 Part #1929

2 Part Inner Frame
 Part #1960

2 Part Outer Frame
 Part #1942

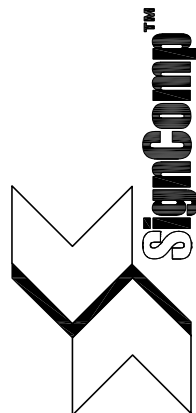


SECTION DETAIL ELECTRICAL

SCALE : 3/4" = 1"

NOTES:

1. Add 1 3/4" to size of cabinet (vertical or horizontal) when the size of the cabinet is the same as the nominal lamp length.
2. SignComp does not supply the Ballast(s), Lamps, Lamp Sockets.

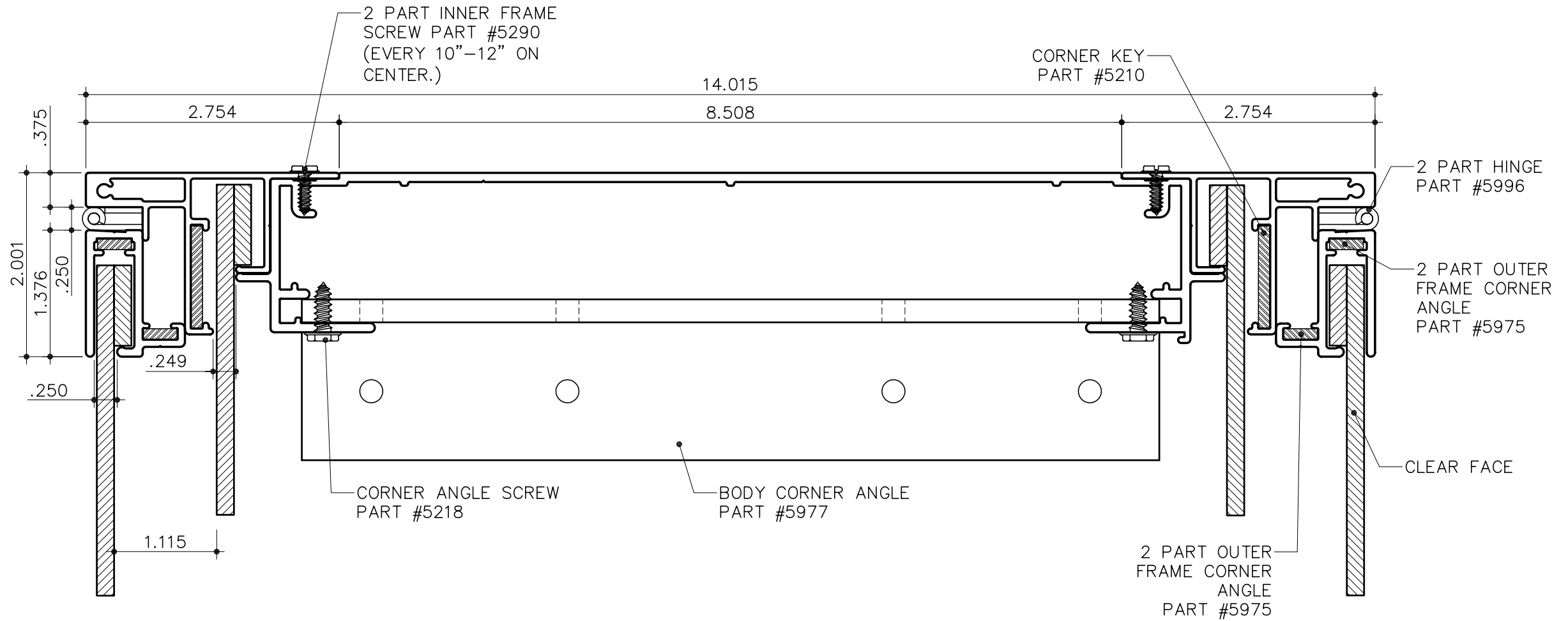


STD-4 for Rigid Faces - Structural Corner
 (Mechanically Fastened)

2 Part 12" Body
 Part #1929

2 Part Inner Frame
 Part #1960

2 Part Outer Frame
 Part #1942

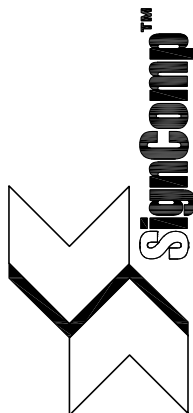


SECTION DETAIL STRUCTURAL (BODY CORNER ANGLE MECHANICALLY FASTENED)

SCALE : 3/4" = 1"

NOTES:

1. Add 1 3/4" to size of cabinet (vertical or horizontal) when the size of the cabinet is the same as the nominal lamp length.
2. When using a top or bottom hinge application deduct 7/8" from the overall width of cabinet and 1/8" from the overall height of the cabinet to get cut measurements for 2 Part Outer Frame.
3. When using a side hinge application deduct 1/8" from the overall width of cabinet and 7/8" from the overall height of the cabinet to get cut measurements for 2 Part Outer Frame.

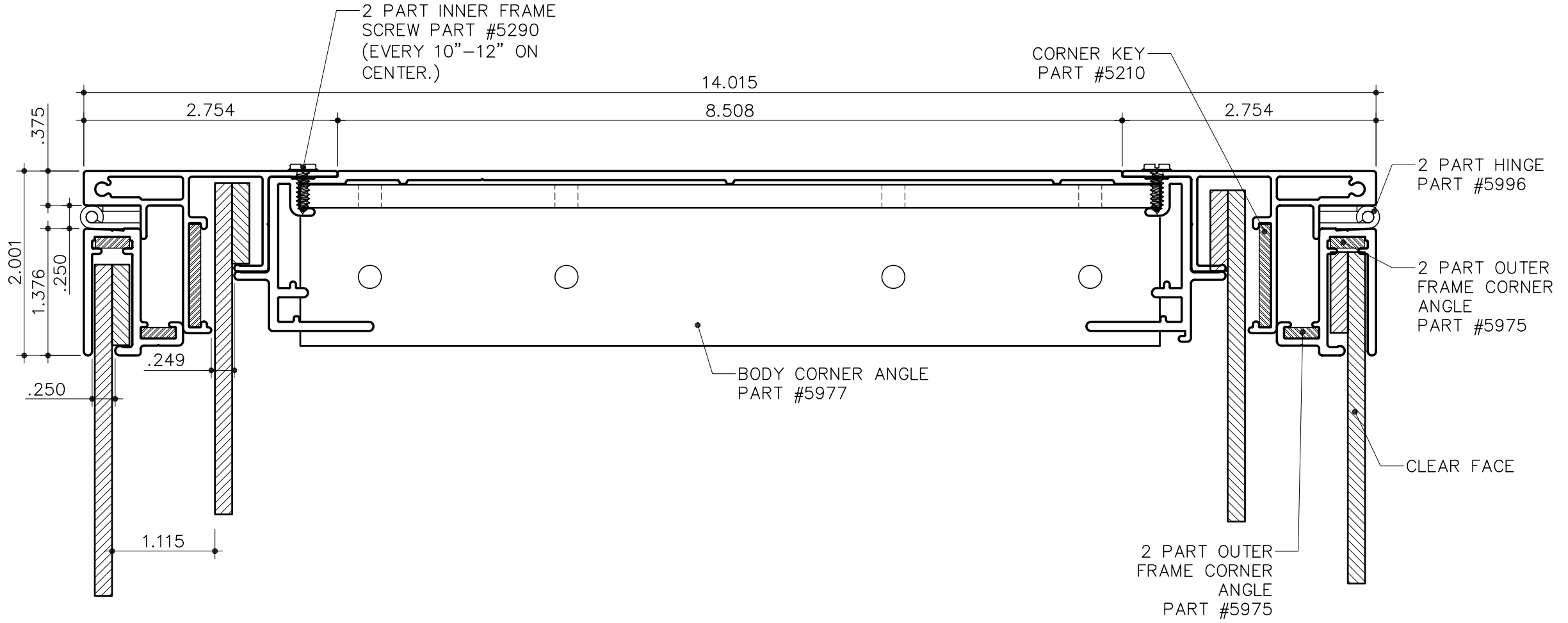


STD-4 for Rigid Faces - Structural Corner
(Body Corner Angle Glued)

2 Part 12" Body
Part #1929

2 Part Inner Frame
Part #1960

2 Part Outer Frame
Part #1942

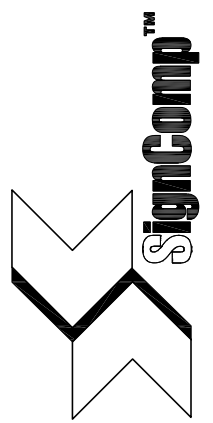


SECTION DETAIL STRUCTURAL (BODY CORNER ANGLE GLUED)

SCALE : 3/4" = 1"

NOTES:

1. Add 1 3/4" to size of cabinet (vertical or horizontal) when the size of the cabinet is the same as the nominal lamp length.
2. When using a top or bottom hinge application deduct 7/8" from the overall width of cabinet and 1/8" from the overall height of the cabinet to get cut measurements for 2 Part Outer Frame.
3. When using a side hinge application deduct 1/8" from the overall width of cabinet and 7/8" from the overall height of the cabinet to get cut measurements for 2 Part Outer Frame.

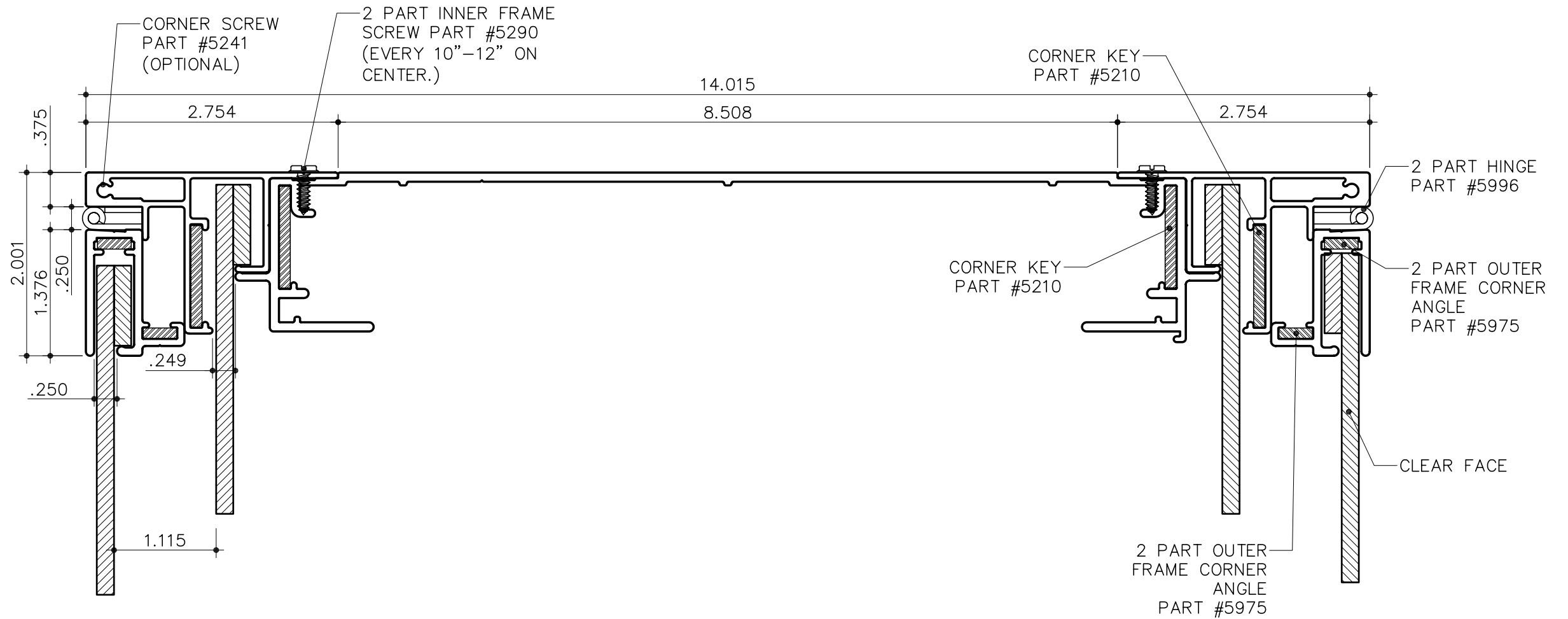


STD-4 for Rigid Faces - Structural Corner
 (Welded W/Corner Keys)

2 Part 12" Body
 Part #1929

2 Part Inner Frame
 Part #1960

2 Part Outer Frame
 Part #1942

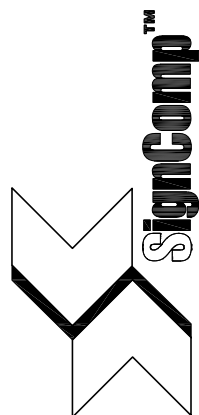


SECTION DETAIL STRUCTURAL (WELDED W/CORNER KEYS)

SCALE : 3/4" = 1"

NOTES:

1. Add 1 3/4" to size of cabinet (vertical or horizontal) when the size of the cabinet is the same as the nominal lamp length.
2. When using a top or bottom hinge application deduct 7/8" from the overall width of cabinet and 1/8" from the overall height of the cabinet to get cut measurements for 2 Part Outer Frame.
3. When using a side hinge application deduct 1/8" from the overall width of cabinet and 7/8" from the overall height of the cabinet to get cut measurements for 2 Part Outer Frame.

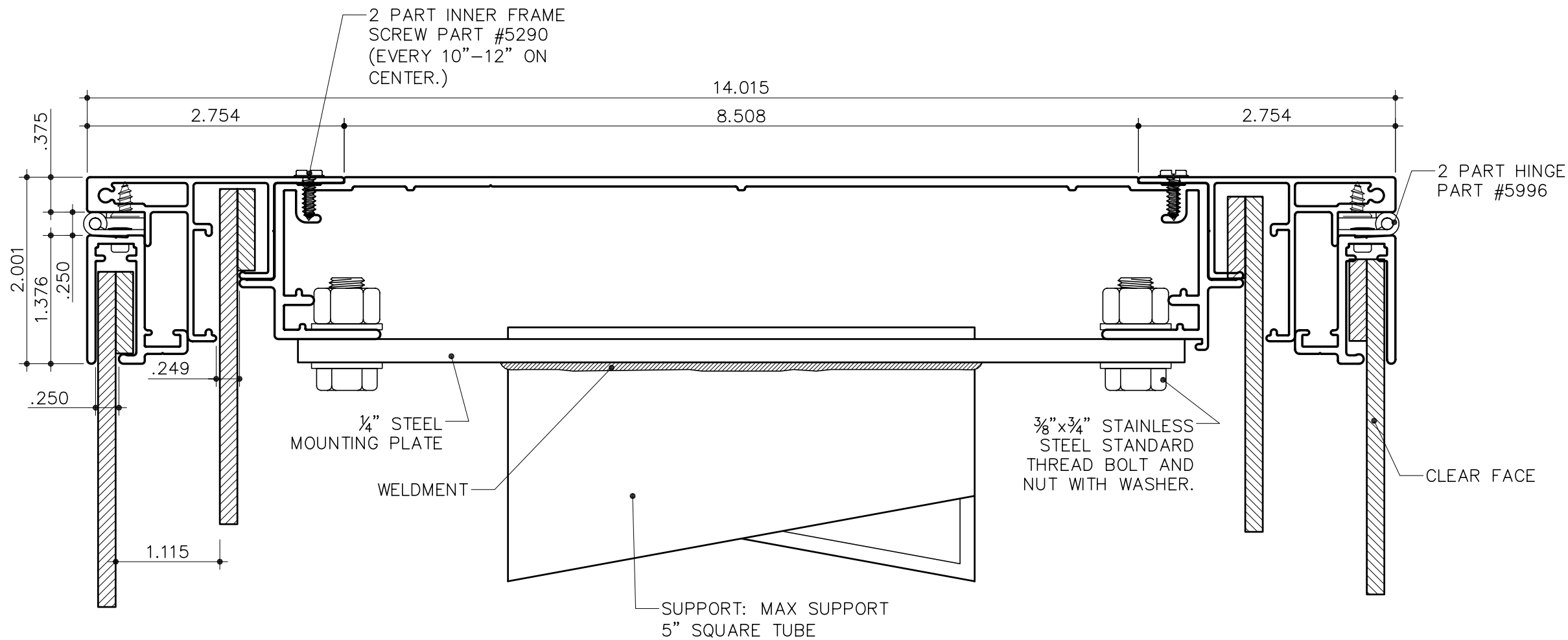


STD-4 for Rigid Faces - Structural (Support)

2 Part 12" Body
 Part #1929

2 Part Inner Frame
 Part #1960

2 Part Outer Frame
 Part #1942

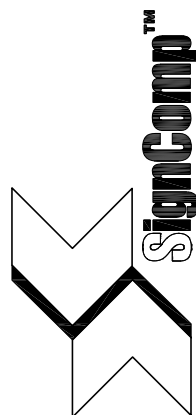


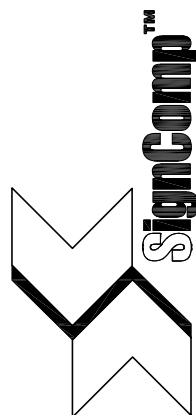
SECTION DETAIL STRUCTURAL (SUPPORT)

SCALE : 3/4" = 1"

NOTES:

1. Add 1 3/4" to size of cabinet (vertical or horizontal) when the size of the cabinet is the same as the nominal lamp length.
2. SignComp does not supply the 1/4" Mounting Plates, Mounting Hardware or Support.



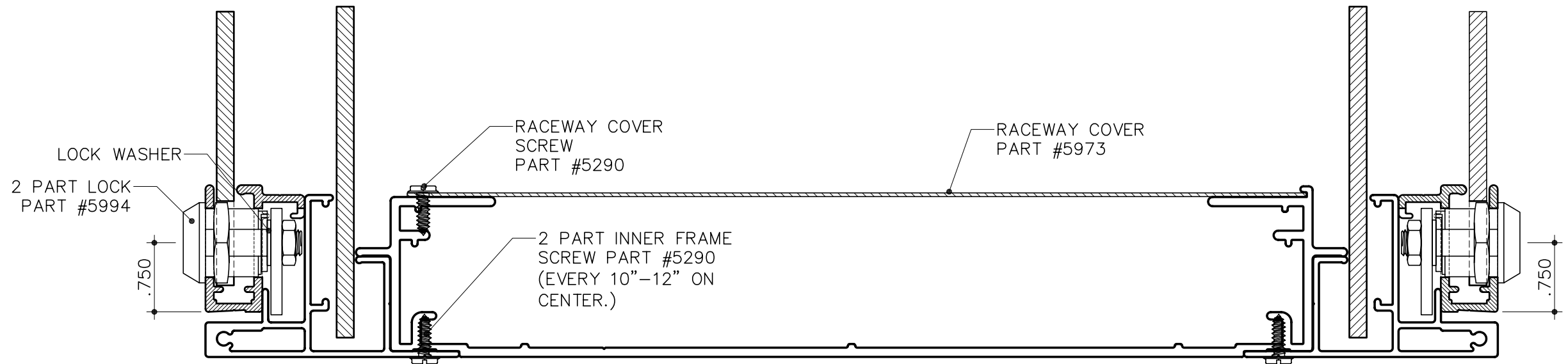


STD-4 for Rigid Faces - Side
 (Lock Assembly)

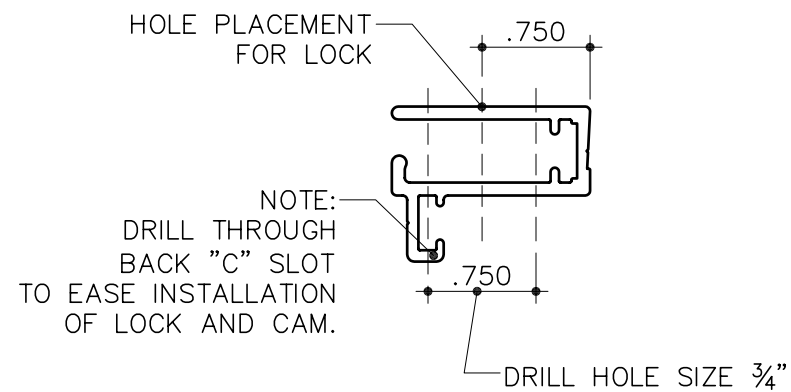
2 Part 12" Body
 Part #1929

2 Part Inner Frame
 Part #1960

2 Part Outer Frame
 Part #1942

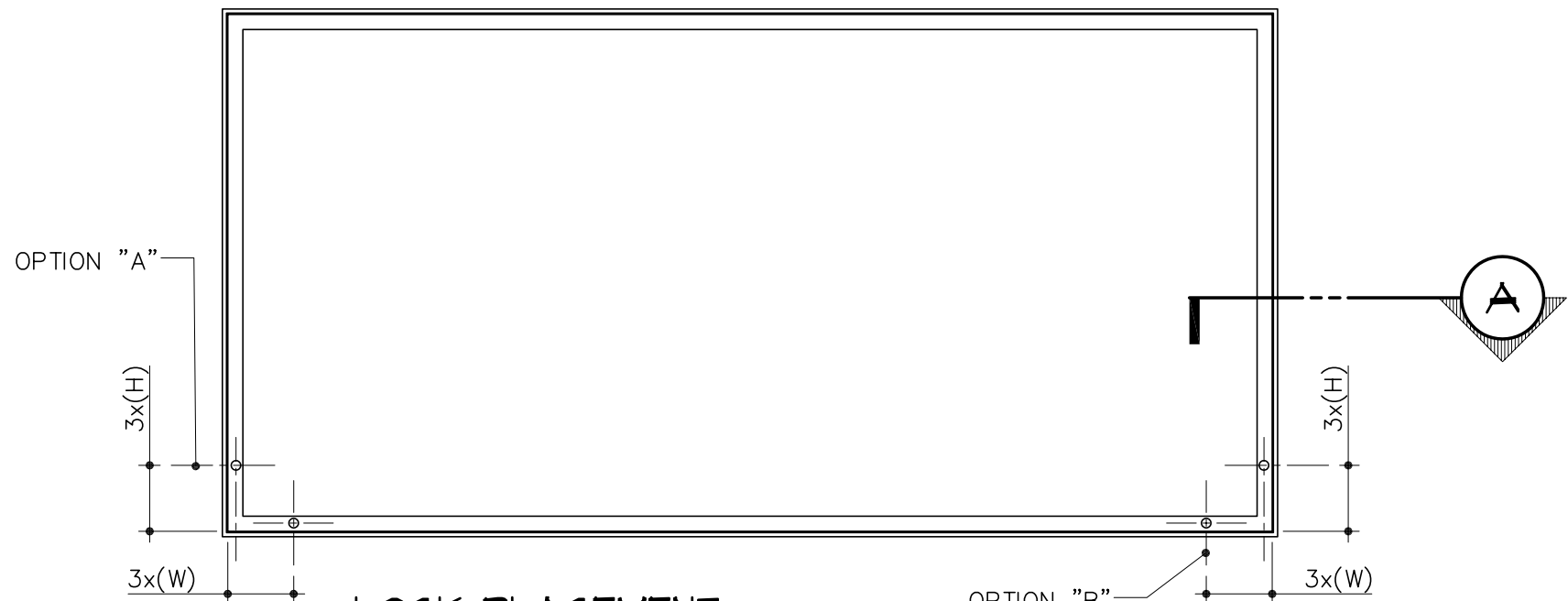


A SIDE SECTION DETAIL
 SCALE : 3/4" = 1"



LOCK HOLE DETAIL

SCALE : 3/4" = 1"



LOCK PLACEMENT

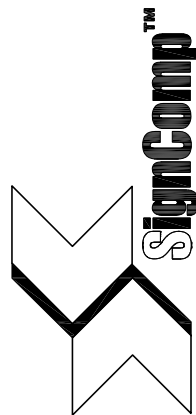
SCALE : 3/4" = 1"

OPTION "A":
 LOCKS ON SIDE.

OPTION "B":
 LOCKS ON BOTTOM

NOTES:

1. Add 1 3/4" to size of cabinet (vertical or horizontal) when the size of the cabinet is the same as the nominal lamp length.
2. Locks can be placed on the side or bottom frame(s), as a guide line for placement of the locks times the height/width in feet by 3 this will give the distance in inches for the lock placement on the 2 Part Outer Frame.

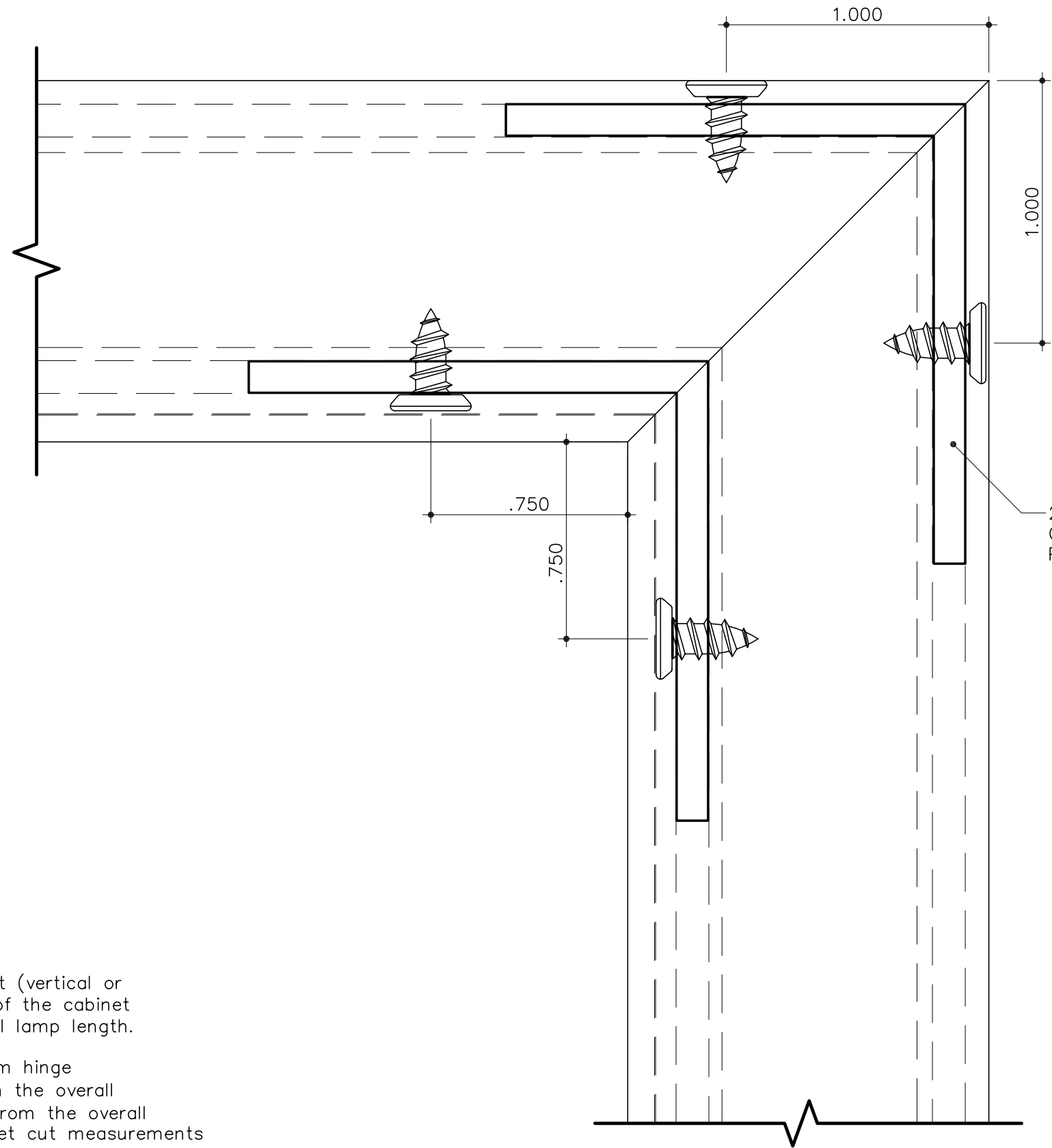


STD-4 for Rigid Faces – Corner Assembly

2 Part 12" Body
Part #1929

2 Part Inner Frame
Part #1960

2 Part Outer Frame
Part #1942



2 PART OUTER FRAME
CORNER ANGLE SCREW
#8x³/₈" PHILLIPS HEAD (SS)
PART #5990

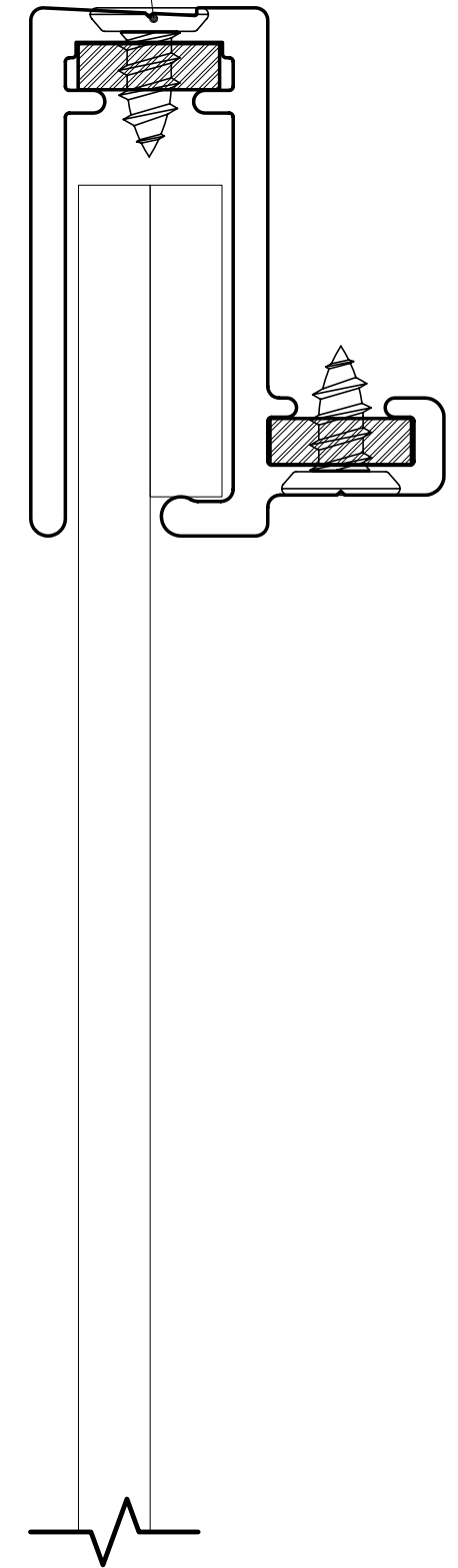
2 PART OUTER FRAME
CORNER ANGLE
PART #5975

NOTES:

1. Add 1³/₄" to size of cabinet (vertical or horizontal) when the size of the cabinet is the same as the nominal lamp length.
2. When using a top or bottom hinge application deduct 7/8" from the overall width of cabinet and 1 1/8" from the overall height of the cabinet to get cut measurements for 2 Part Outer Frame.
3. When using a side hinge application deduct 1 1/8" from the overall width of cabinet and 7/8" from the overall height of the cabinet to get cut measurements for 2 Part Outer Frame.

2 PART OUTER FRAME CORNER SECTION

SCALE : 2" = 1"



SECTION DETAIL

SCALE : 2" = 1"