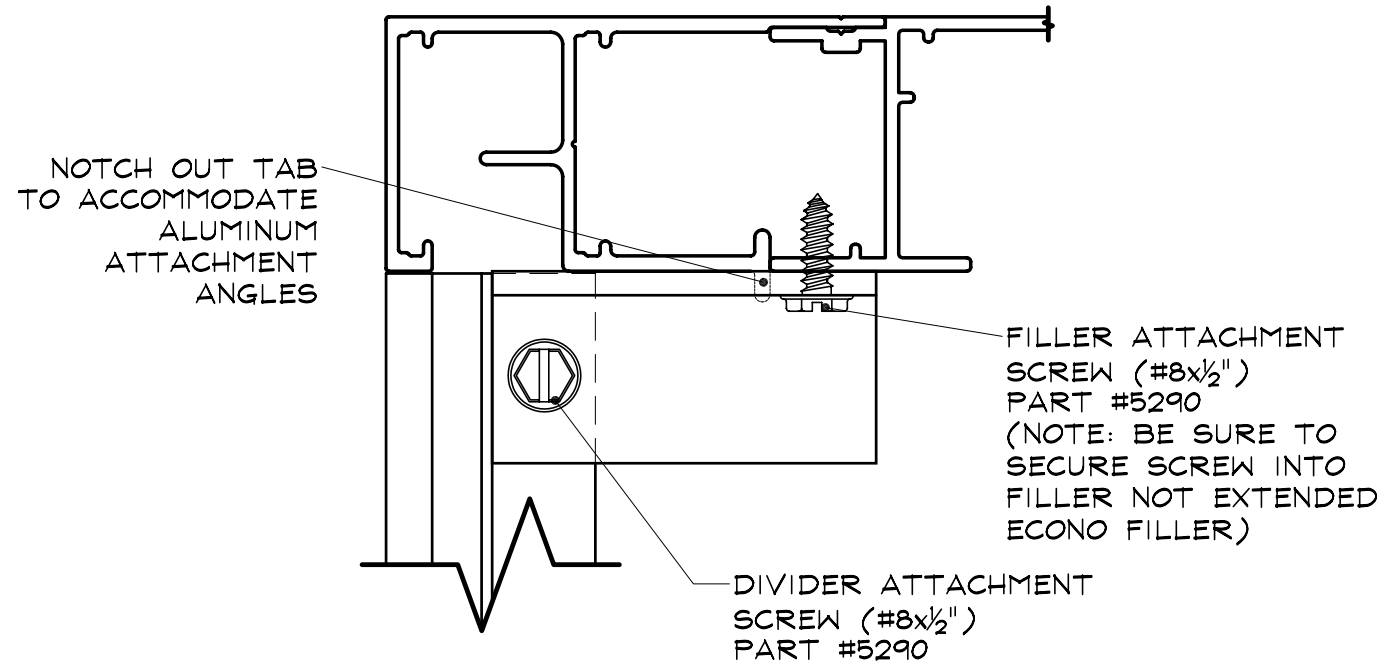


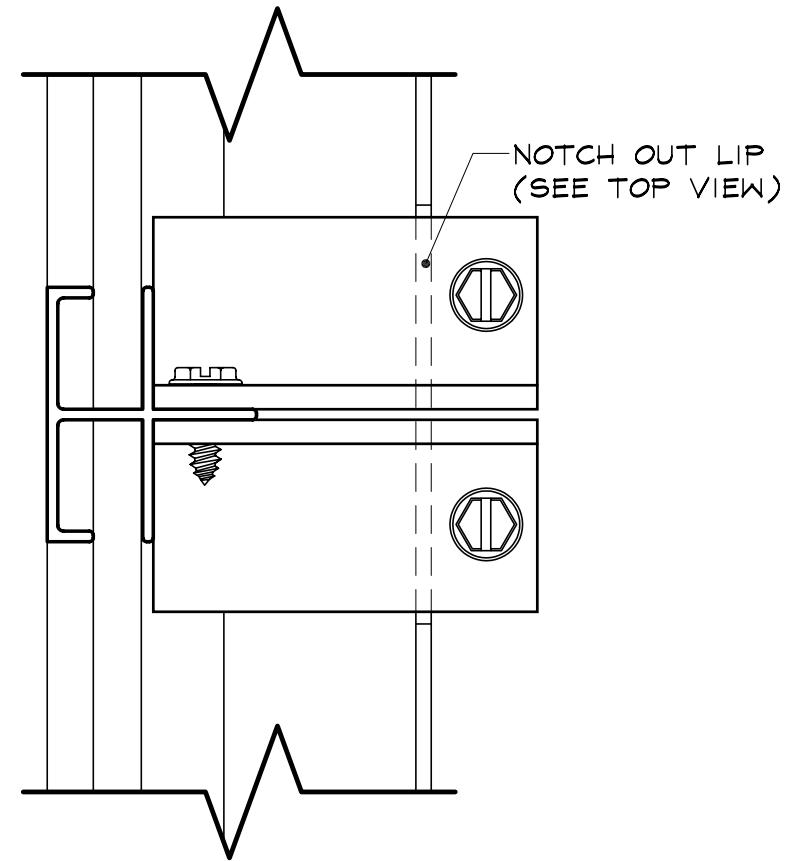
EC-8 for Rigid Faces - Structural

Econo Divider
Part #2140



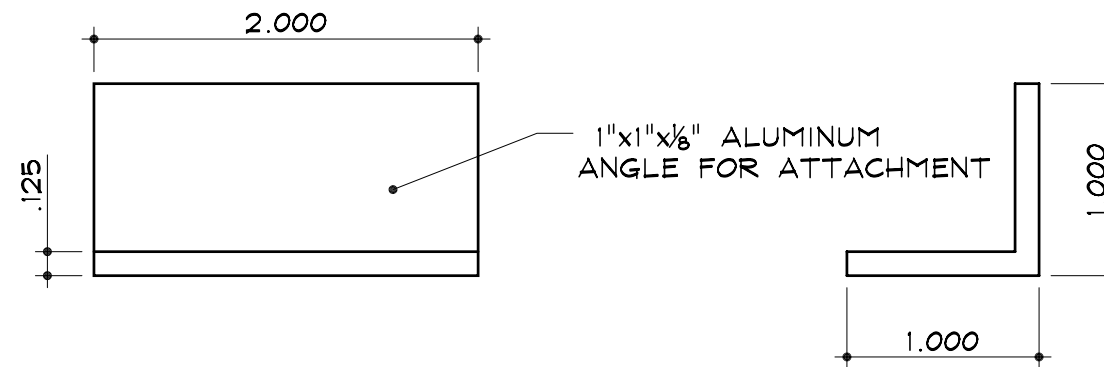
TOP VIEW

SCALE : 1" = 1"



SIDE VIEW

SCALE : 1" = 1"



NOTES:

1. SignComp does not supply the Mounting Angles.