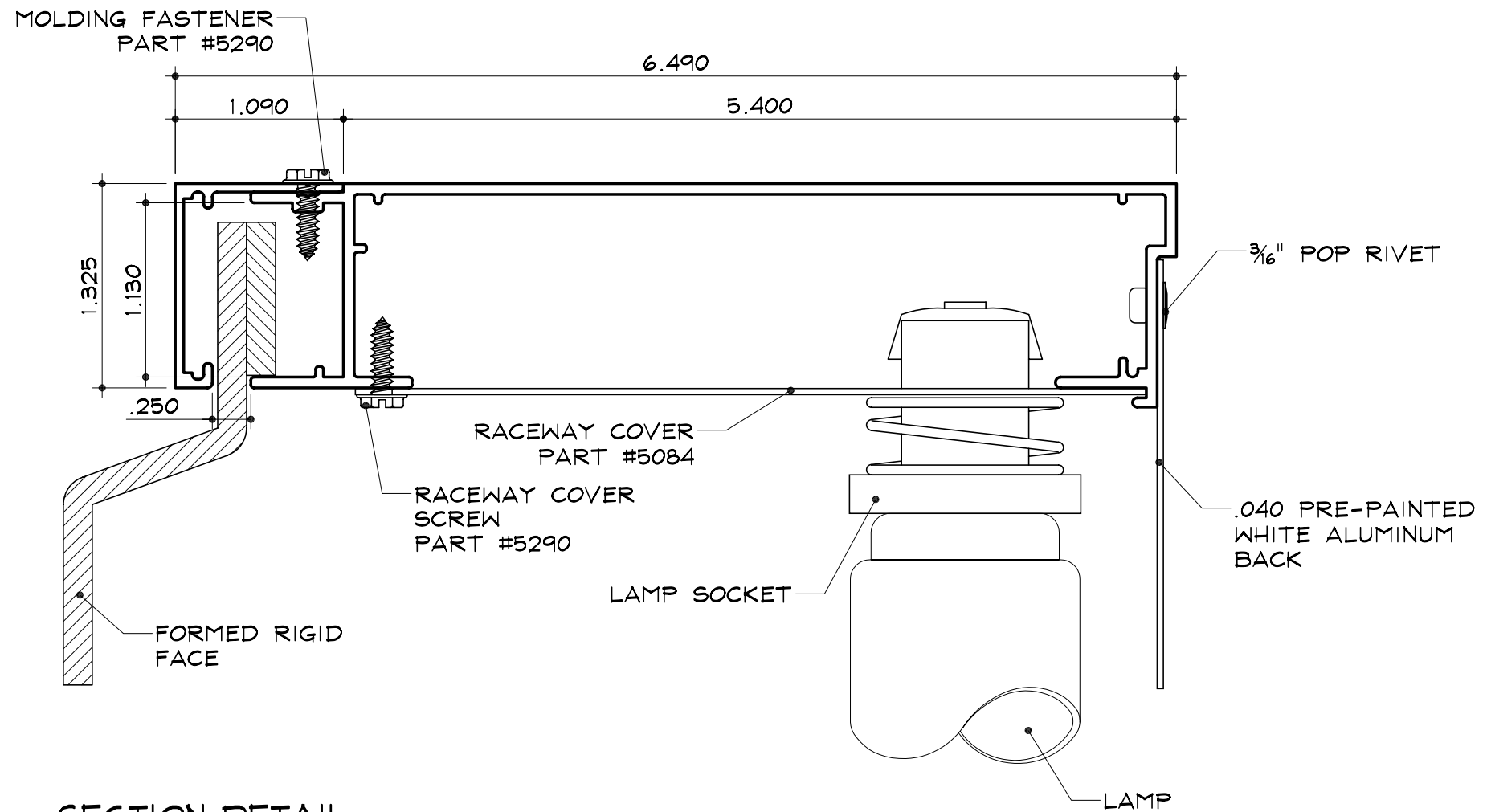


EC-5 for Rigid Faces - Electrical

Single Face Filler  
 Part #2034

Econo Molding  
 Part #2056

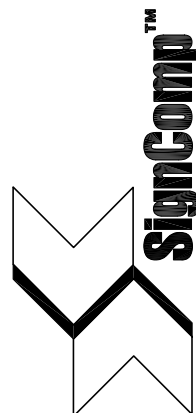


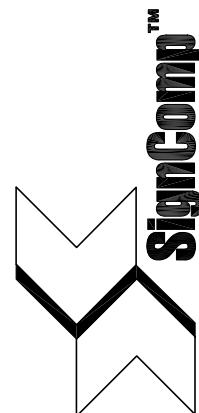
**SECTION DETAIL**

SCALE : 1" = 1"

NOTES:

1. Add 1" to the size of the cabinet (vertical or horizontal) when the size of the cabinet is the same as the nominal lamp length.
2. SignComp does not supply the Ballast(s), Lamps, Lamp Sockets, Raceway Cover, Raceway Cover Screws or Aluminum Back.

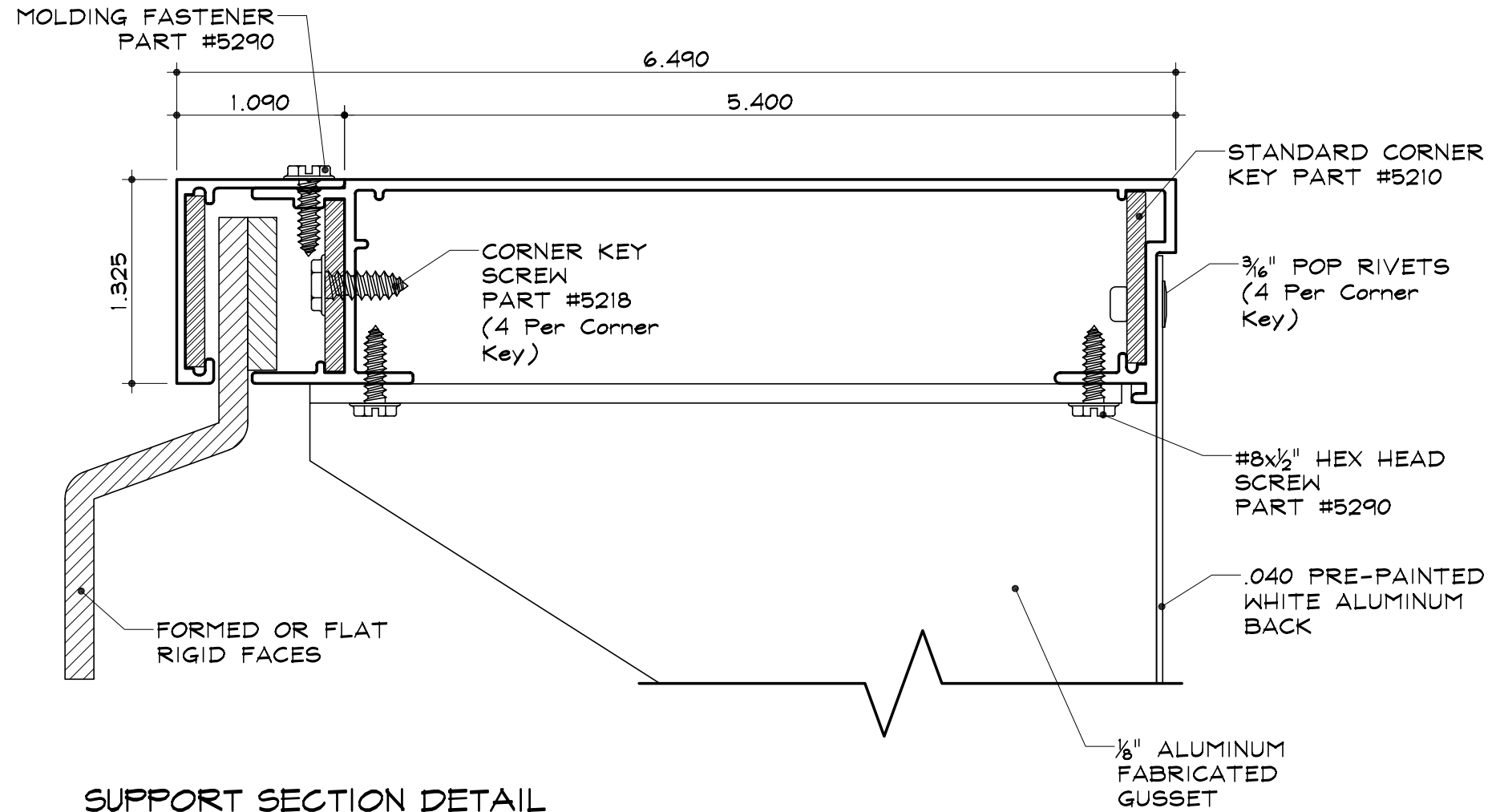




EC-5 for Rigid Faces - Structural

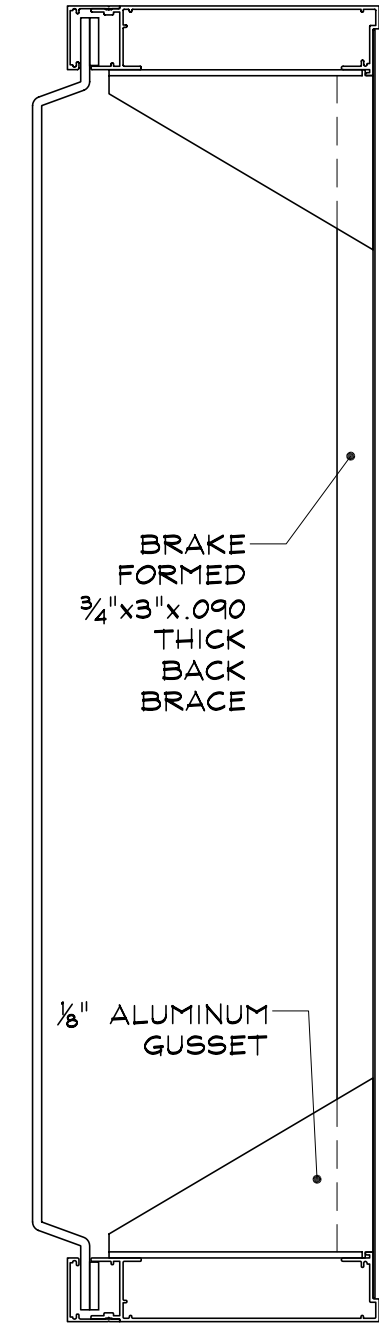
Single Face Filler  
 Part #2034

Econo Molding  
 Part #2056



**SUPPORT SECTION DETAIL**

SCALE : 1" = 1"

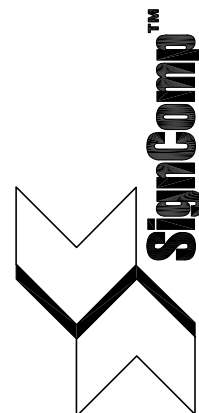


**FULL SECTION DETAIL**

SCALE : 3" = 1"

NOTES:

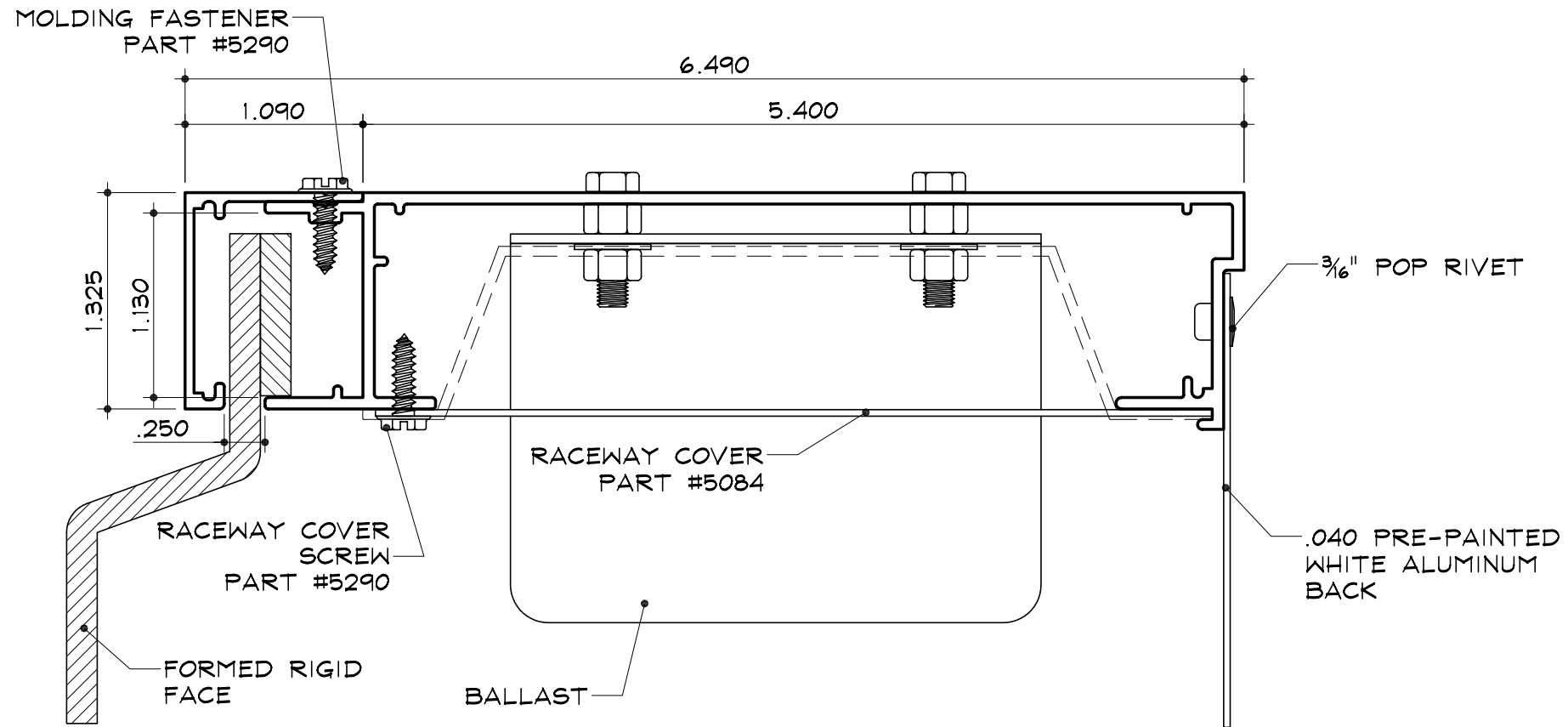
1. SignComp does not supply the Gussets, Back Braces, Joiner Bracket or Aluminum Back.



EC-5 for Rigid Faces - Electrical

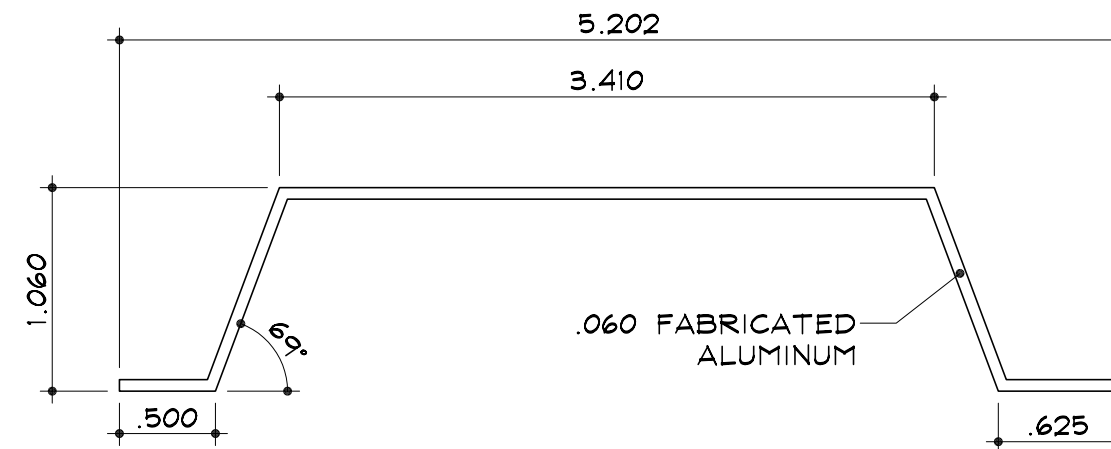
Single Face Filler  
 Part #2034

Econo Molding  
 Part #2056



**SECTION DETAIL**

SCALE : 1" = 1"



**BALLAST PAN DETAIL**

SCALE : 1" = 1"

NOTES:

1. Add 1" to the size of the cabinet (vertical or horizontal) when the size of the cabinet is the same as the nominal lamp length.
2. SignComp does not supply the Ballast(s), Lamps, Lamp Sockets, Racenway Cover, Racenway Cover Screws, Ballast Pan or Aluminum Back.