

CUSTOMER SignComp Extrusions PROGRAM Commercial
DESCRIPTION SC 19-RB-55

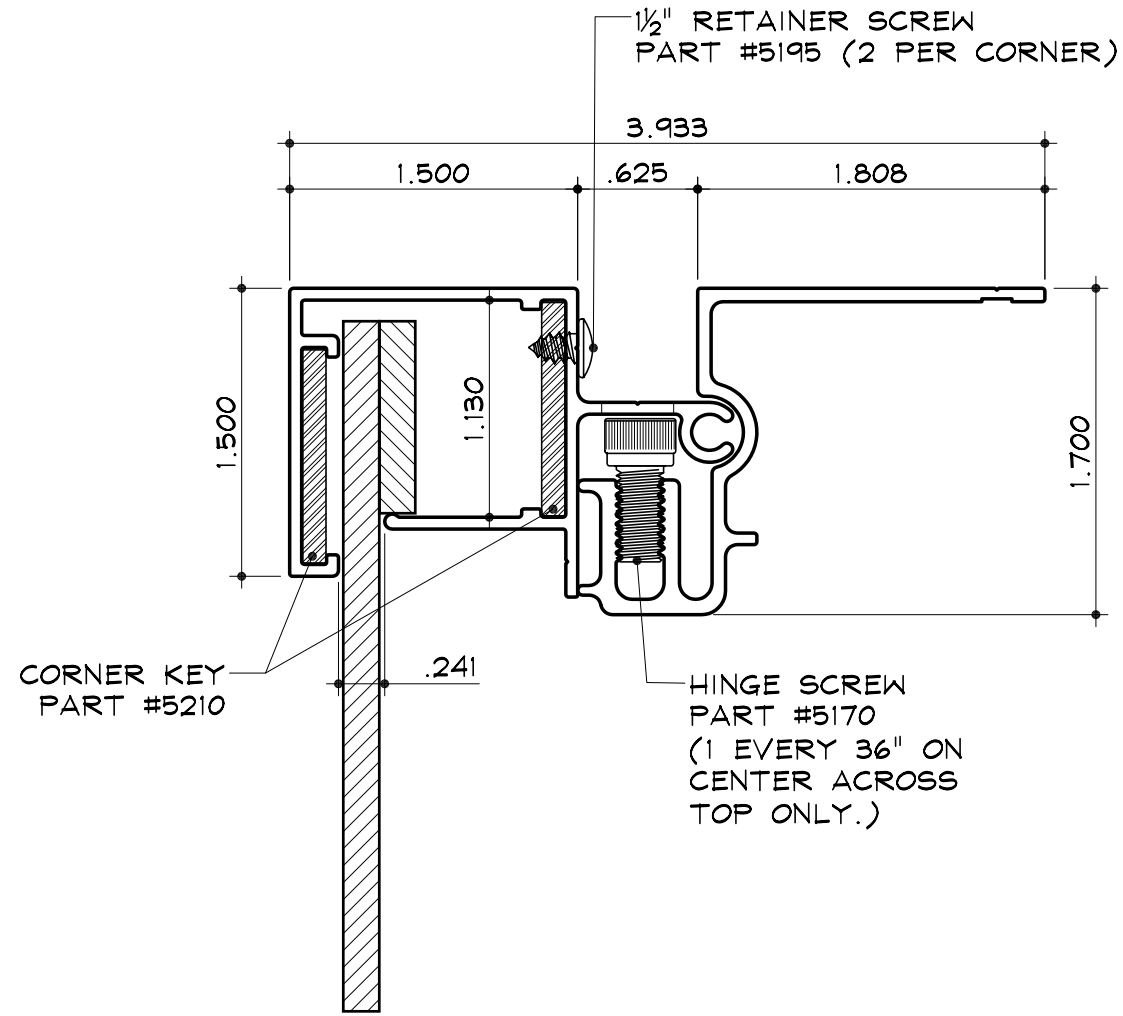
DATE 12/11/01 BY Steve
SHT 1 OF 1

DWG NO. _____

SC-19 for Rigid Faces

Retro Body
Part #2040

1/2" Retainer
Part #2055



TOP SECTION DETAIL

SCALE : 1" = 1"